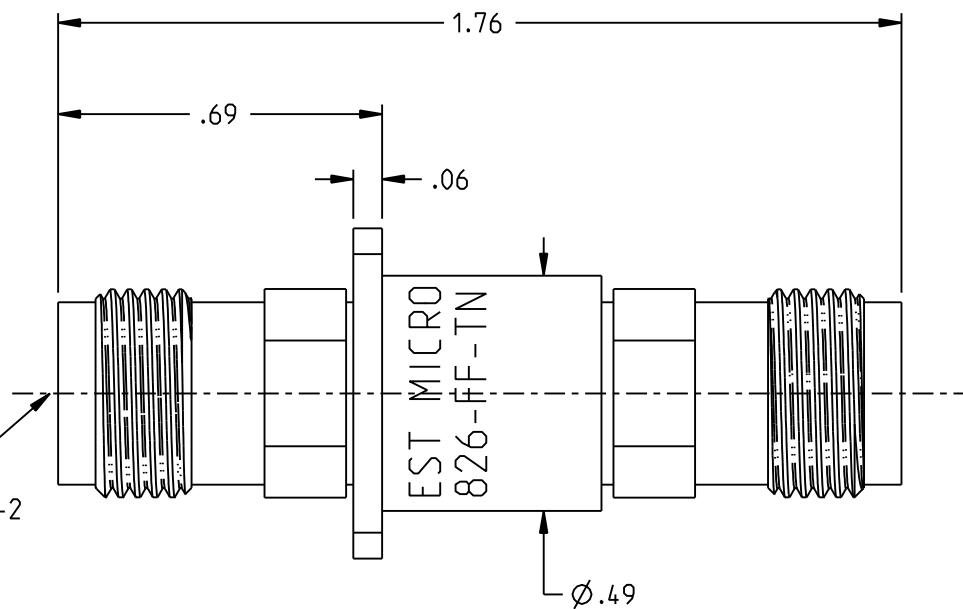


TNC JACK
MIL-STD-348, FIG 313-2
(BOTH ENDS)



NOTES: UNLESS OTHERWISE SPECIFIED.

1. MATERIALS & FINISH:

- 1.1 HOUSING: PASSIVATED STAINLESS STEEL
- 1.2 CENTER CONTACT: GOLD PLATED BERYLLIUM COPPER
- 1.3 DIELECTRIC: PTFE (TEFLON)

2. ELECTRICAL SPECIFICATIONS:

- 2.1 FREQUENCY RANGE DC TO 18.0 GHz
- 2.2 VSWR (MAX):
 - DC TO 4.0 GHz: 1.05:1
 - 4.0 TO 8.0 GHz: 1.10:1
 - 8.0 TO 18.0 GHz: 1.15:1
- 2.3 IMPEDANCE: 50 OHMS NOMINAL

| | | |
|--|--|--|
| | | MIDWEST MICROWAVE |
| | RoHS2 <input checked="" type="checkbox"/> 2011/65/EU | |
| <small>This PROPRIETARY Document is property of Cinch Connectivity Solutions. It is confidential in nature, non-transferable, and issued with the clear understanding that it is no traced or copied without permission and is returnable upon demand.</small> | <small>UNLESS OTHERWISE SPECIFIED UNITS: INCH</small> .XX ± .01 .XXX ± .003 .XXXX ± .0010 ANGLE ± 2° 00' | Model No. ADT-2826-FF-TNC-02 |
| <small>INTERPRET DRAWING IN ACCORDANCE WITH ASME Y14.5-2009.</small> | Size A | Date: 11/23/2015 Sheet 1 OF 1 |