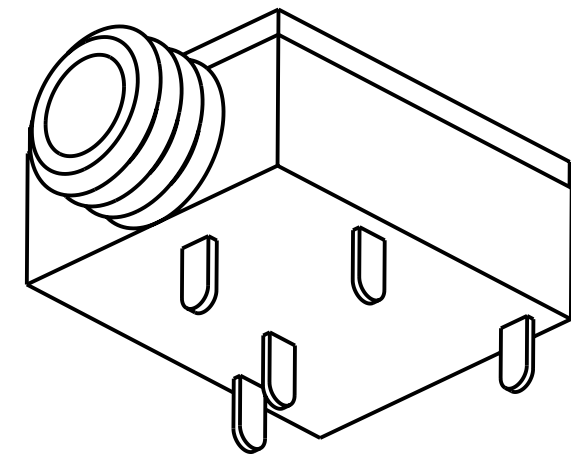


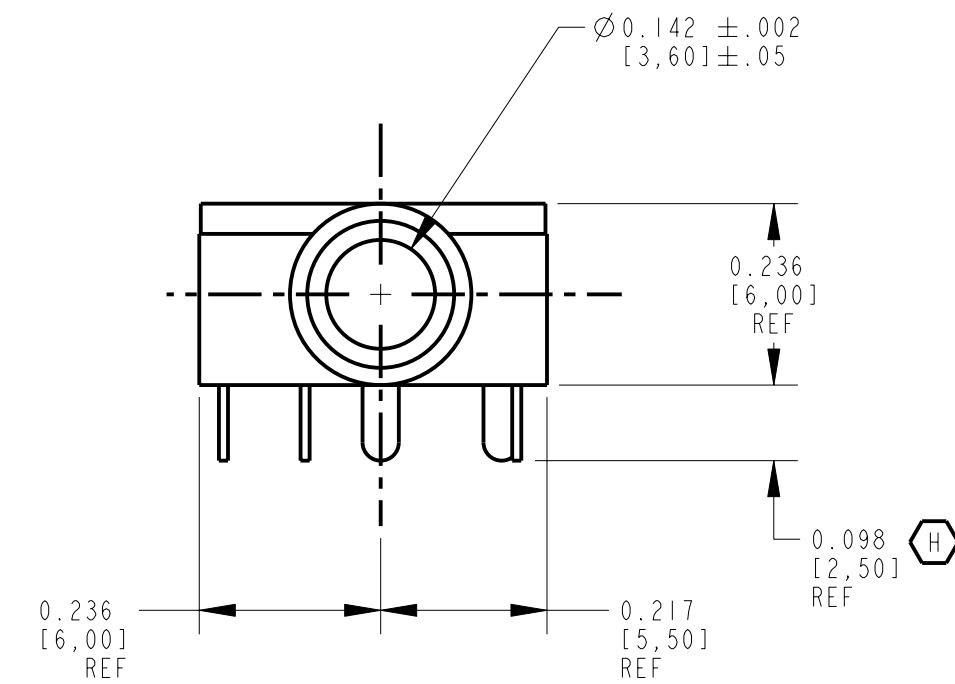
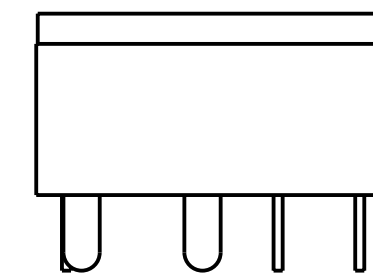
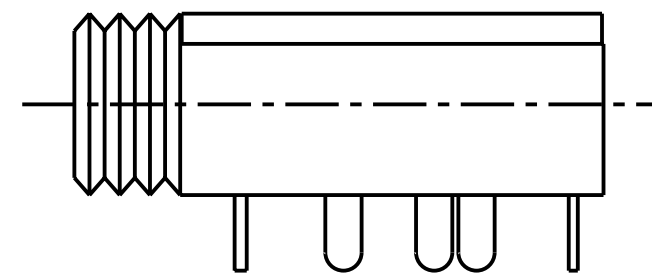
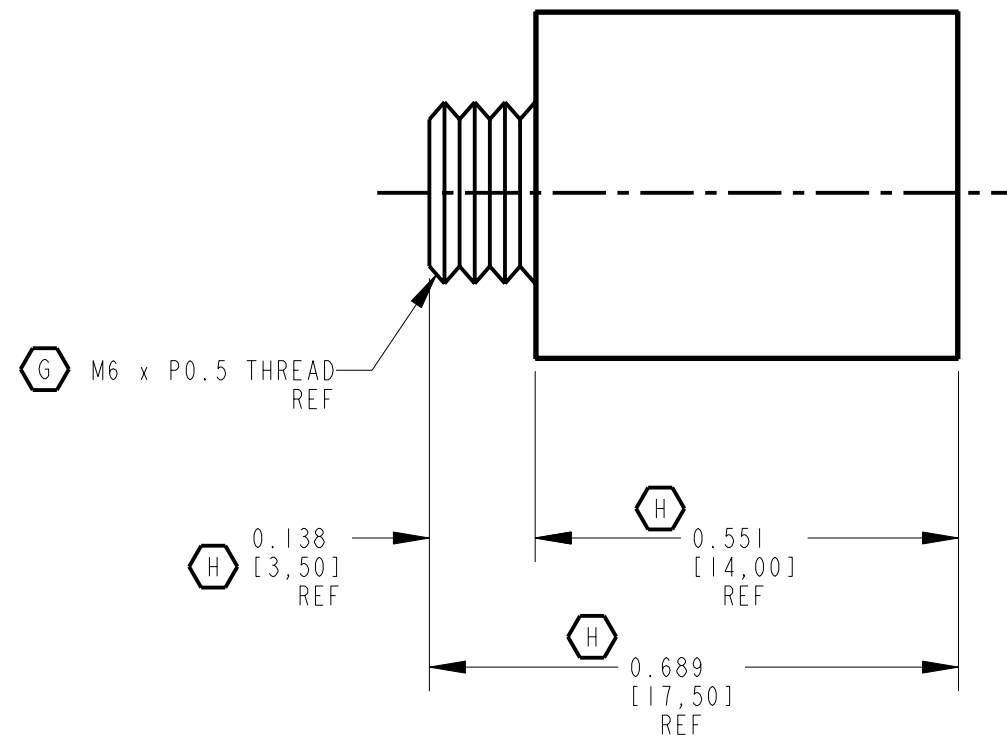
NOTES:

- ELECTRICAL:  
CONTACT RESISTANCE: 20 MILLIOHMS MAX. INITIAL  
100 MILLIOHMS MAX. AFTER LIFE  
INSULATION RESISTANCE: 100 MEGAOHMS MIN.  
DIELECTRIC WITH STANDING VOLTAGE: 250 VAC.
- MECHANICAL:  
LIFE: 5000 CYCLES  
INSERTION FORCE: 0,4 KG TO 1,6 KG  
WITHDRAWAL FORCE: 0,4 KG TO 1,4 KG
- MATERIALS:  
HOUSING: PBT BLACK, UL94-V0  
BUSHING: BRASS, NICKEL PLATED  
SPRINGS: COPPER ALLOY, SILVER PLATED  
COVER: POLYCARBONATE, CLEAR, UL94-V0
- MOUNTING NUT HARDWARE INCLUDED.
- THIS PRODUCT IS RoHS COMPLIANT.

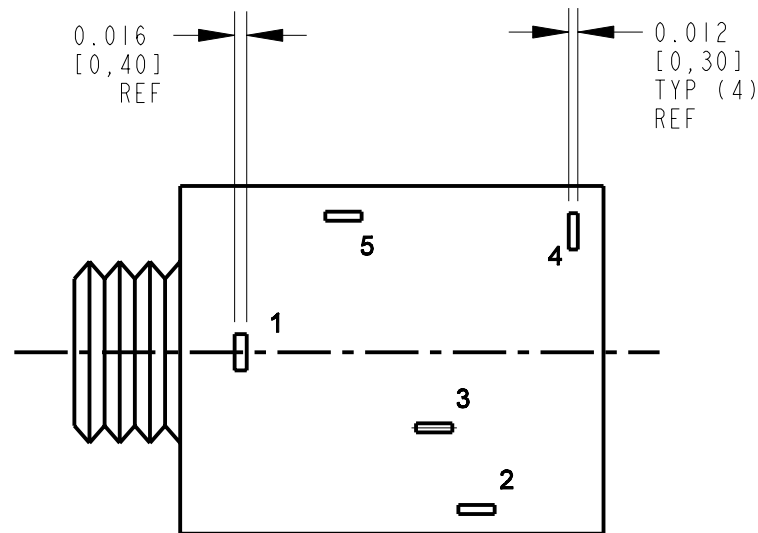
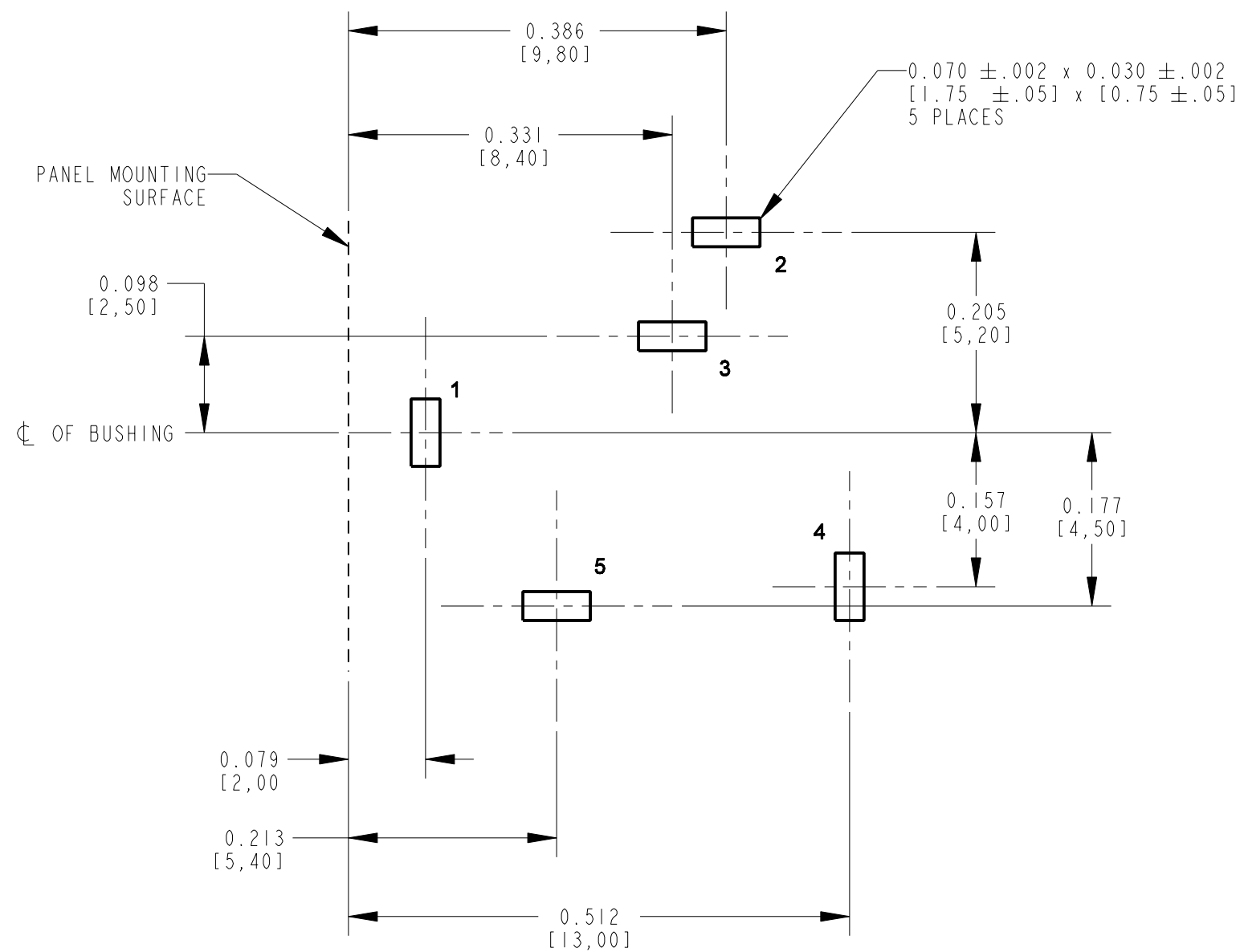
- (F) HOUSING: PBT BLACK, UL94-V0
- (F) BUSHING: BRASS, NICKEL PLATED
- (E) MOUNTING NUT HARDWARE INCLUDED.



SCALE 4:1



PART NO.	SCHEMATIC
35RAPC3BH3	
35RAPC4BH3	
35RAPC2BH3	
35RAPC2AH3	



SUPPLIED WITH KNURL NUT

CUSTOMER DRAWING

REV	ECO NUMBER	DATE	BY	APVD	STAR SYMBOL DENOTES CRITICAL DIMENSION	THIS DRAWING DESCRIBES A DESIGN CONSIDERED PROPRIETARY IN NATURE, DEVELOPED AND MANUFACTURED BY SWITCHCRAFT INC. AND IS RELEASED ON A CONFIDENTIAL BASIS FOR IDENTIFICATION PURPOSES ONLY.
J	27551	8-4-15	TO	TJK	UNLESS OTHERWISE SPECIFIED 1. ALL DIMENSIONS IN INCHES - TWO PLACE DECIMALS $\pm 0.01$ - THREE PALCE DECIMALS $\pm 0.005$ - FRACTIONAL DIMENSIONS $\pm 1/64$ - ANGLES $\pm 1'$ - ALL DIA. CONCENTRIC WITHIN 0.005 T.I.R. 2. FEATURES ON THE SAME CENTERLINE MUST BE ALIGNED WITHIN $\pm 0.002$ 3. REMOVE ALL BURRS DO NOT SCALE DRAWING	SIZE WIDTH MULT LBS/M TEMPER FINISH SPEC No. FIRST USED ON SCALE 4:1 DATE DRAWN BY CHKD APVD 9-Dec-93 ES 12-10-93 12-10-93 NAME 3.5MM HORIZONTAL STEREO JACK, RoHS PART No. 35RAPC_H3 REV J
H	26998	7-20-12	TO	TJK		SWITCHCRAFT® SHEET 1 OF 1
G	26658	11-10-10	TO	TJK		ROUTING 146 112
F	26553	6-8-10	TJK	TJK		Pro/Engineer CAD File
E	21847	7-29-97	RC	JJ		REVISIONS

RECOMMENDED PC BOARD COMPONENT SIDE