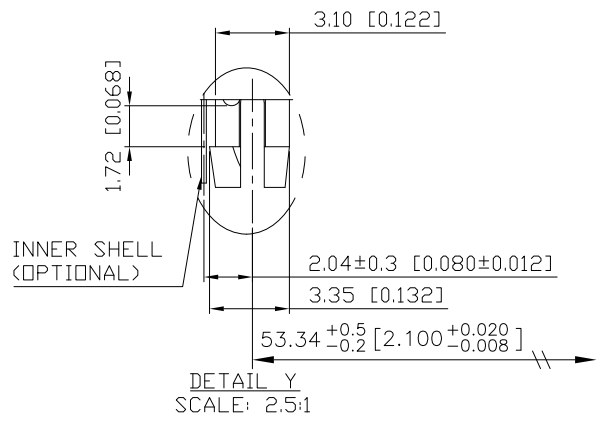
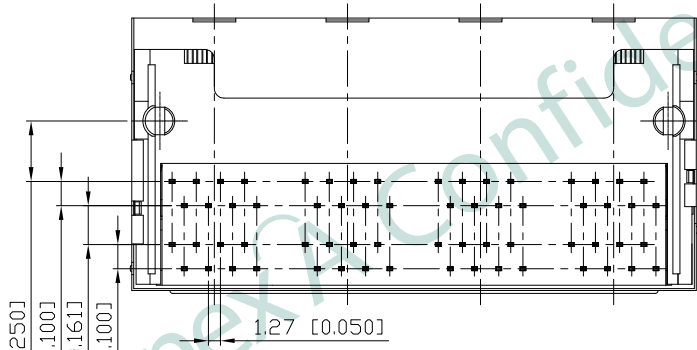
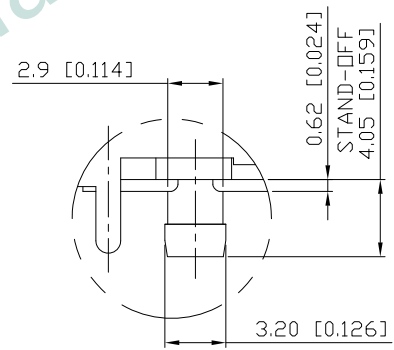
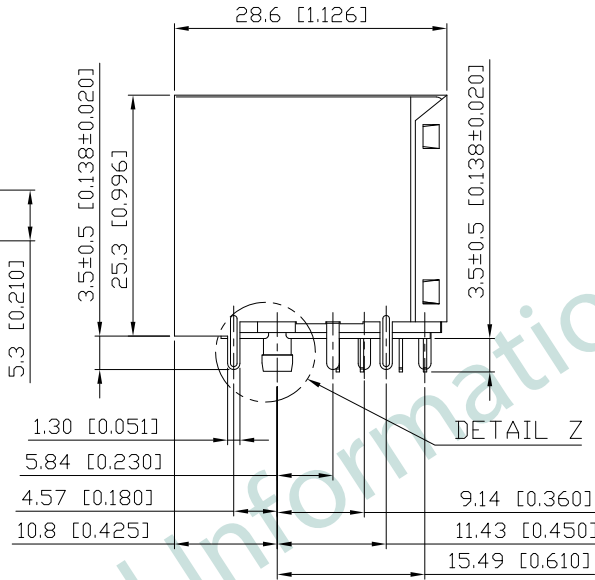
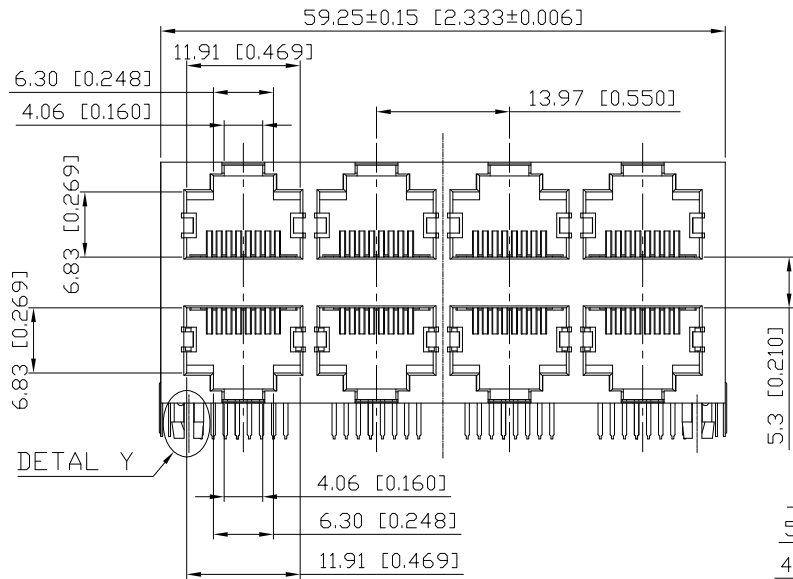


1. MECHANICAL DIMENSIONS :

A
B
C
D
E
F



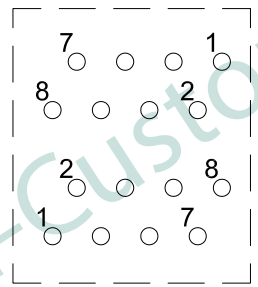
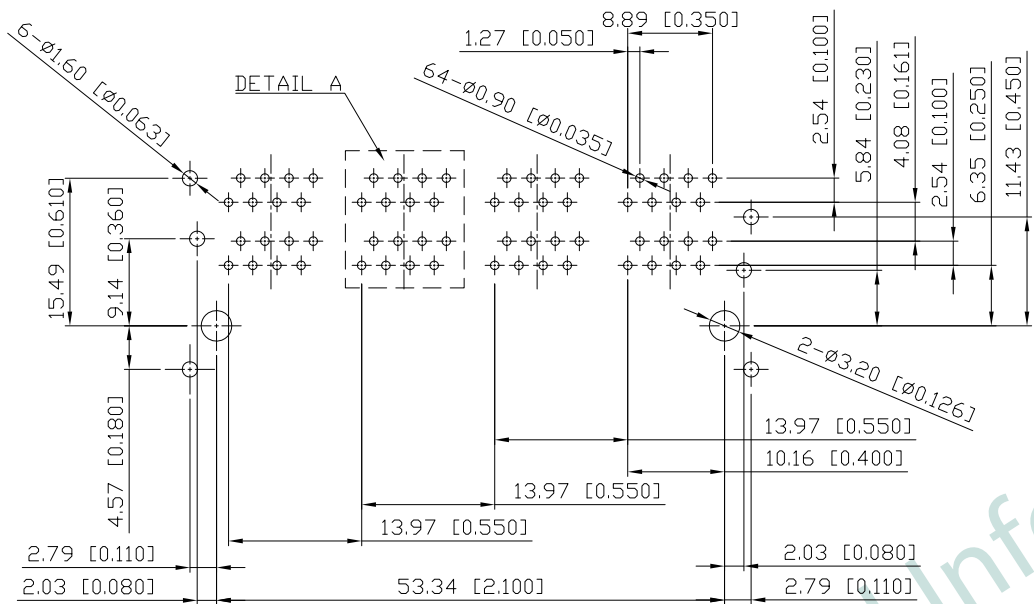
| REV. | DATE | DESCRIPTION |
|------|--------------|-------------|
| 01 | Apr. 23, '19 | 1st RELEASE |
| | | |
| | | |

- NOTES:
- MATERIAL:
HOUSING: HIGH THERMOPLASTIC, UL94V-0, BLACK
COVER: HIGH THERMOPLASTIC, UL94V-0, BLACK
CONTACTS: PHOS-BRONZE,
3u" GOLD PLATING ON CONTACT AREA,
NICKEL UNDERPLATING OVERALL
SHIELD: COPPER ALLOY, NICKEL PLATING
 - OPERATING TEMPERATURE: -40°C~+85°C
 - MATING FORCE: 4 POUNDS MAX.
UNMATING FORCE: 4 POUNDS MAX.
 - DURABILITY: 750 MATING CYCLED MIN.
 - CAVITY CONFORMS TO FCC RULES AND REGULATIONS PART 68, SUBPART F.
 - UNSPECIFIED TOLERANCE: .XX ±0.25[0.010]
.X ±0.30[0.012]

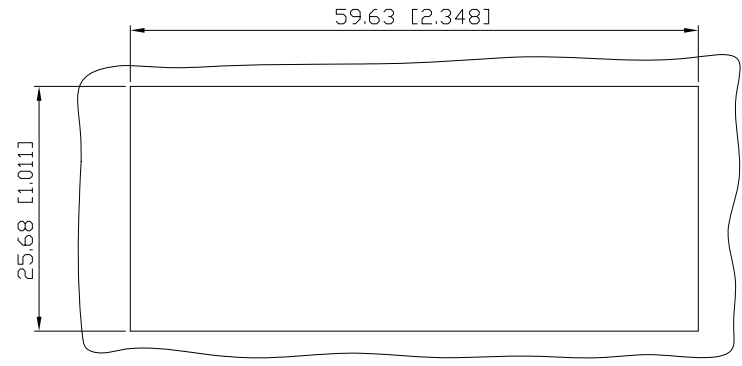
| | | | | |
|----------|--|------------------------|--------------|--------|
| PART NO | | KRD-S-24-8-8-0-9LD-XXX | | |
| TITLE | RJ45 2X4 8P8C, W/D LED, SHIELDED, STACKED TYPE | | | |
| REV : 01 | | | | |
| UNIT | DRAWN | CHKD | DATE | SHEET |
| mm[inch] | CINDY | VINCENT | Apr. 23, '19 | 1 of 4 |

RoHS Compliant

2. PCB LAYOUT :

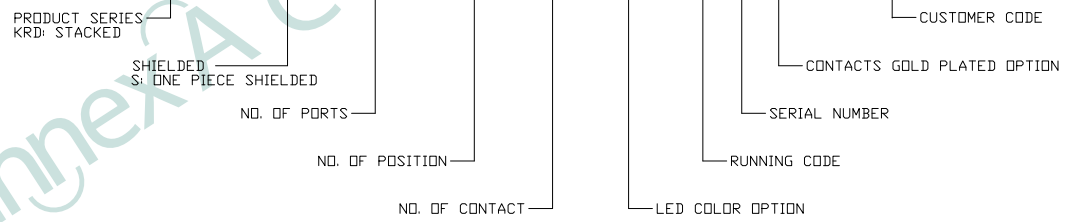


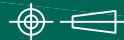
DETAIL A
SCALE: 2:1



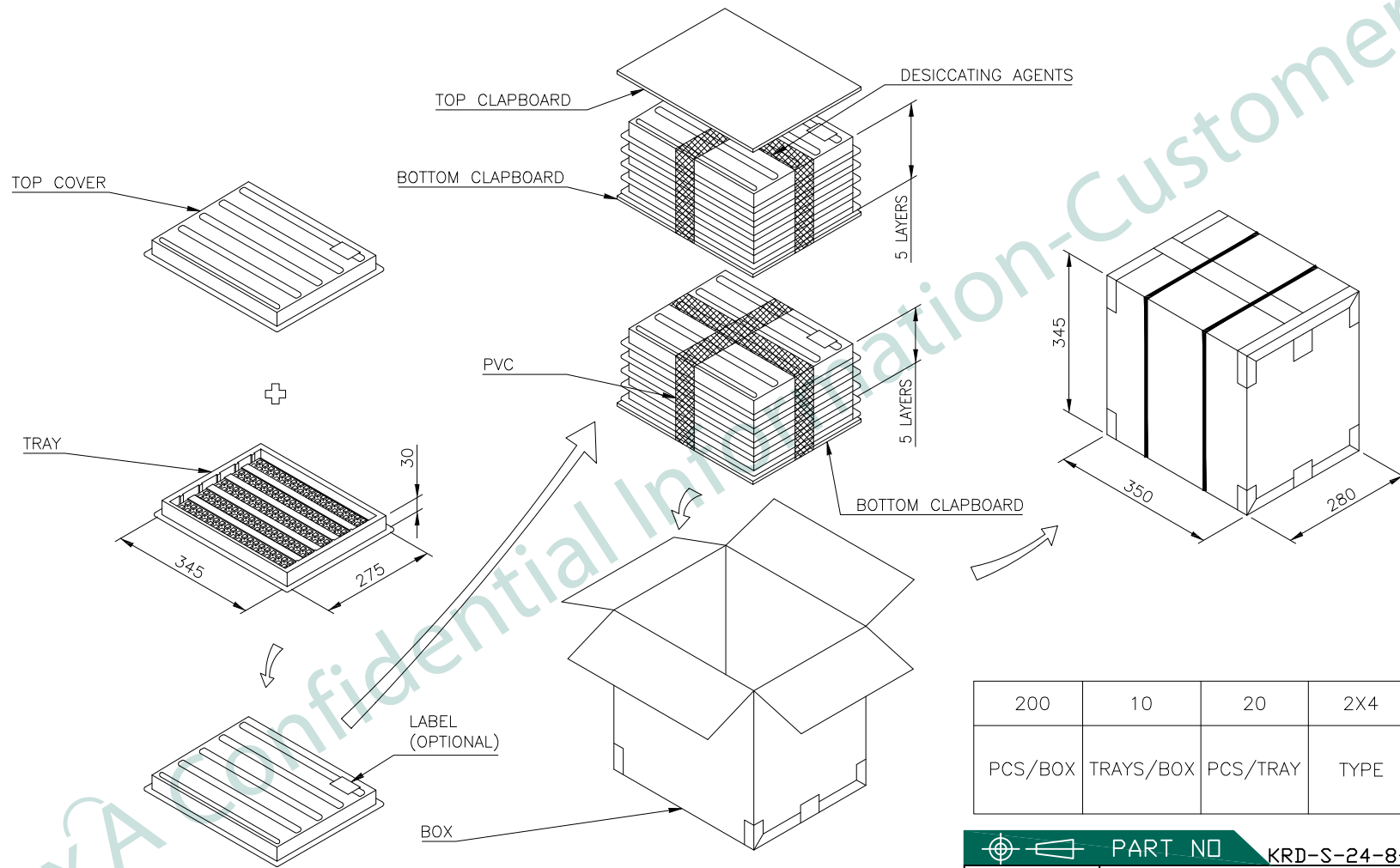
RECOMMENDED
PANEL CUTOUT DIMENSION

KRD-S-24-8-8-0-9LD-XXX

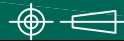


| | | | | |
|--|--|---------|--------------|--------|
|  PART NO KRD-S-24-8-8-0-9LD-XXX | | | | |
| TITLE | RJ45 2X4 8P8C, W/D LED, SHIELDED, STACKED TYPE | | | |
| REV : 01 | | | | |
| UNIT | DRAWN | CHKD | DATE | SHEET |
| mm[inch] | CINDY | VINCENT | Apr. 23, '19 | 2 of 4 |

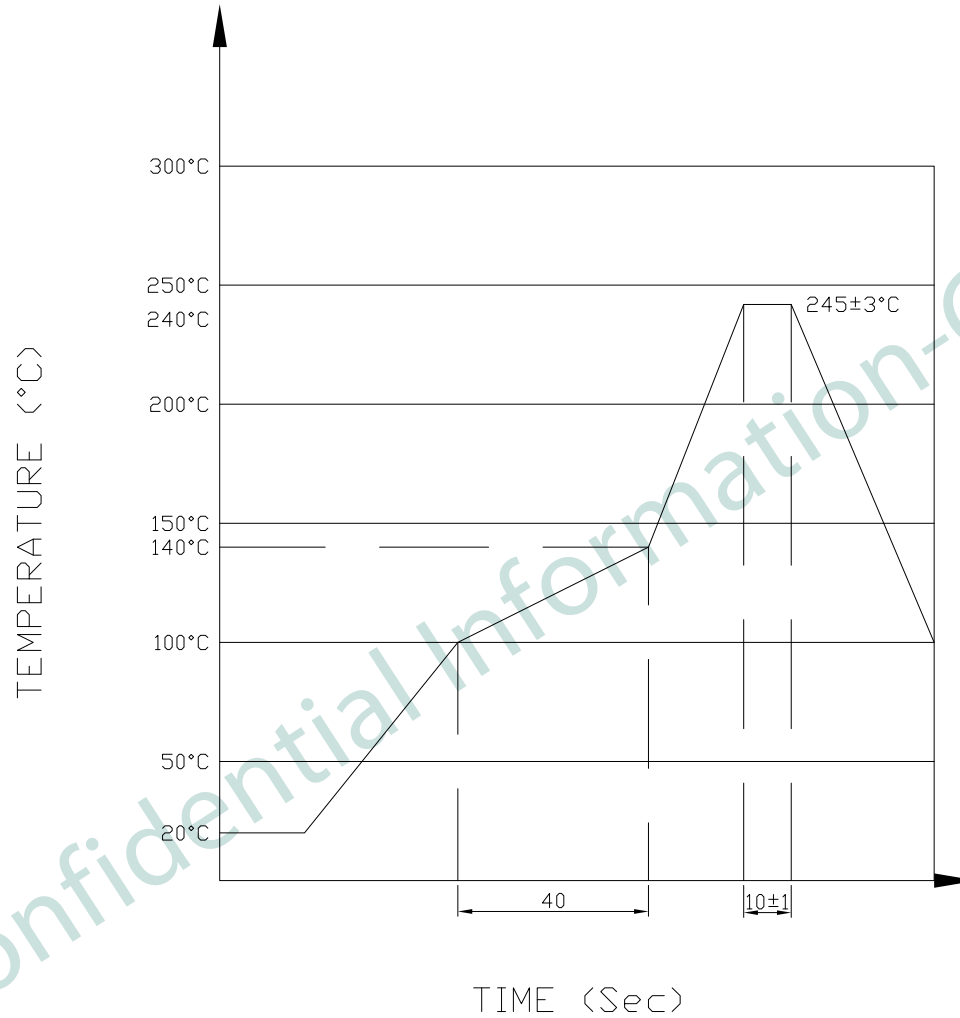
3. PACKING SPECIFICATION:



| | | | |
|---------|-----------|----------|------|
| 200 | 10 | 20 | 2X4 |
| PCS/BOX | TRAYS/BOX | PCS/TRAY | TYPE |

| | | | | |
|--|-------|--|--------------|--------|
|  PART NO KRD-S-24-8-8-0-9LD-XXX | | | | |
| TITLE | | RJ45 2X4 8P8C, W/D LED, SHIELDED, STACKED TYPE | | |
| REV : 01 | | | | |
| UNIT | DRAWN | CHKD | DATE | SHEET |
| mm[inch] | CINDY | VINCENT | Apr. 23, '19 | 3 of 4 |

4. PROFILE OF WAVE SOLDER :



THE MEASURING POINT FOR THE SPECIFIED TEMPERATURE SHALL BE ON THE SOLDERED PART OF THE LEAD

| | | | | |
|--------------------------------|--|---------|--------------|--------|
| PART NO KRD-S-24-8-8-0-9LD-XXX | | | | |
| TITLE | RJ45 2X4 8P8C, W/D LED, SHIELDED, STACKED TYPE | | | |
| REV : 01 | | | | |
| UNIT | DRAWN | CHKD | DATE | SHEET |
| mm[inch] | CINDY | VINCENT | Apr. 23, '19 | 4 of 4 |