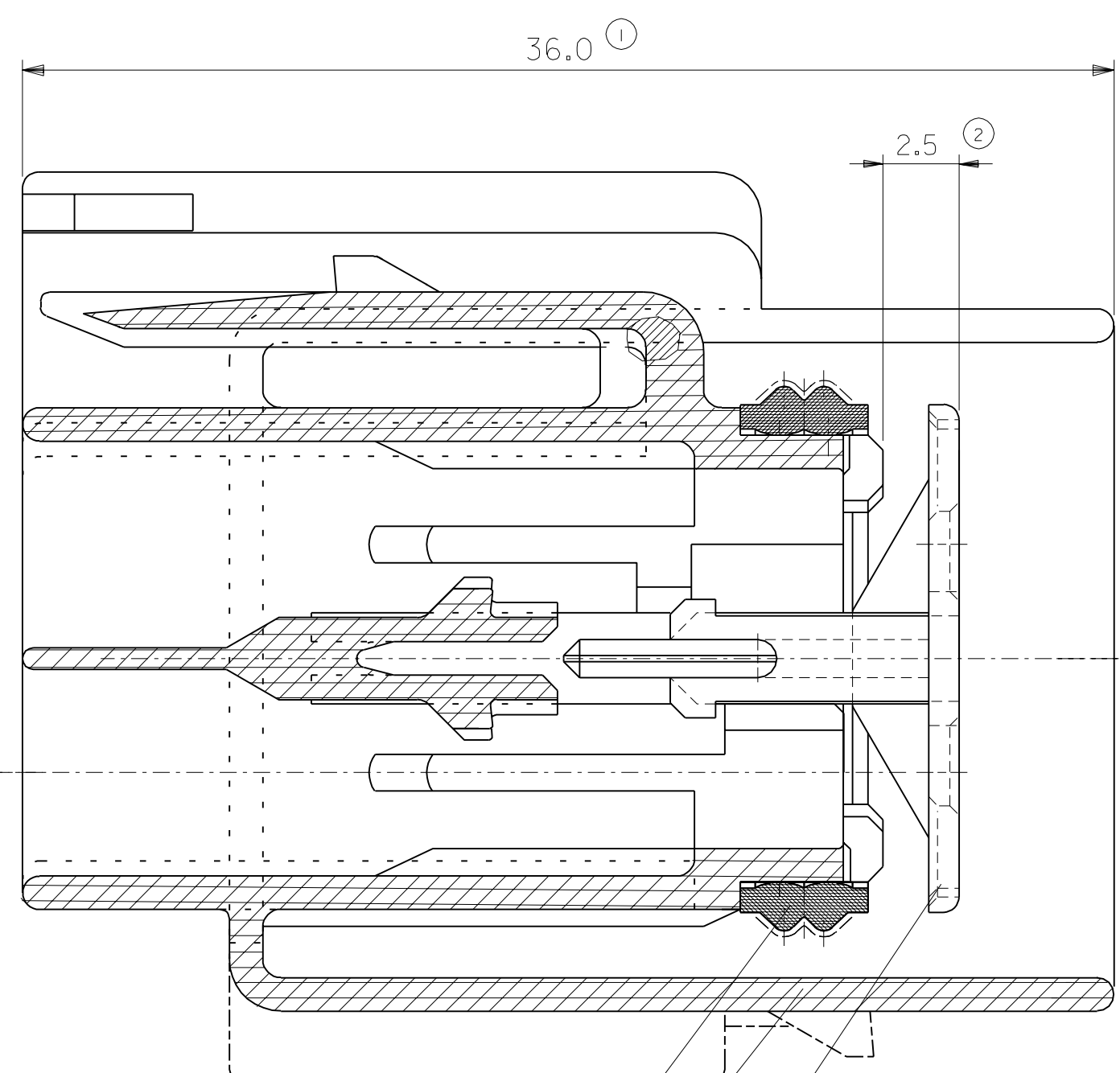
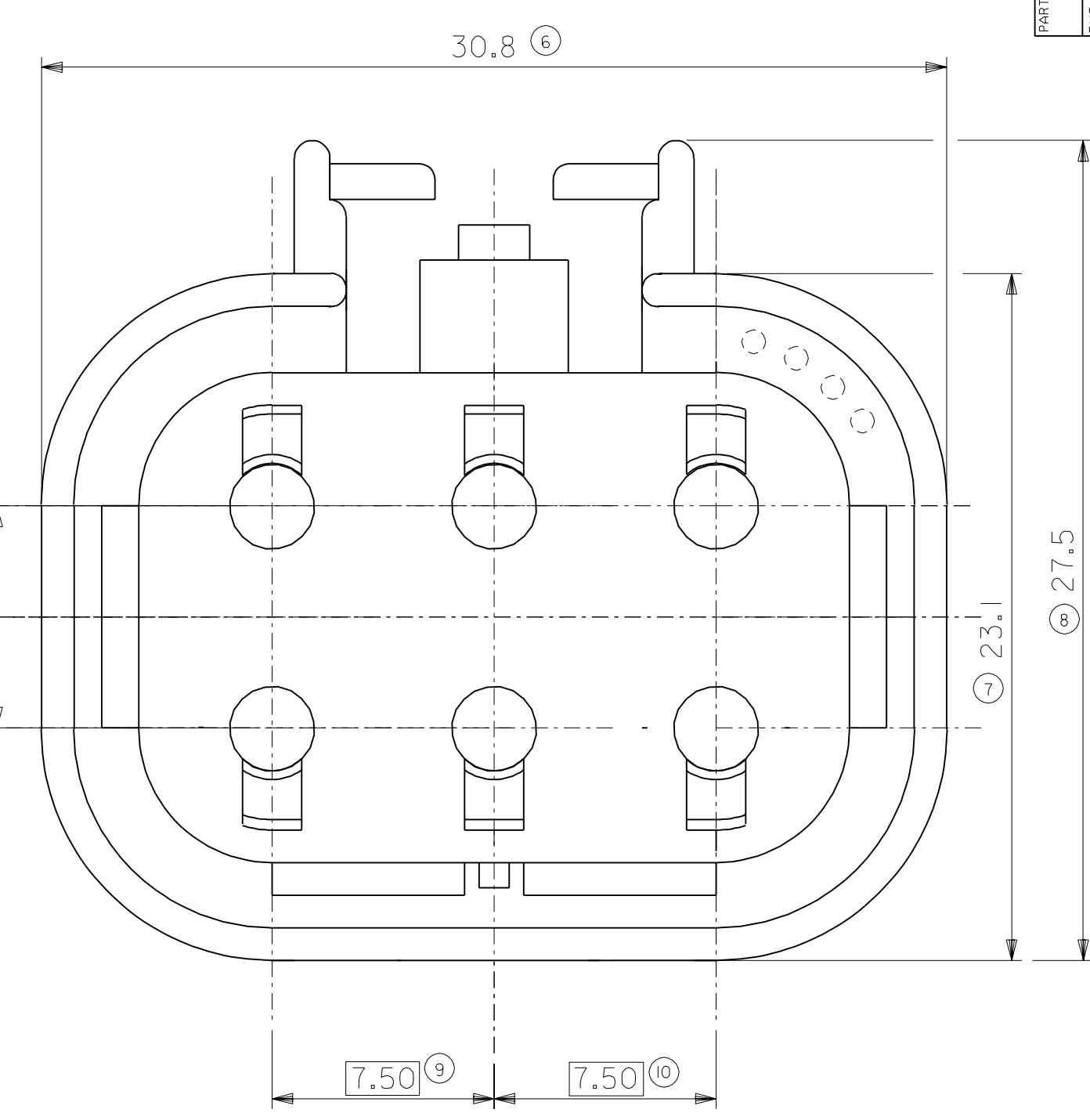
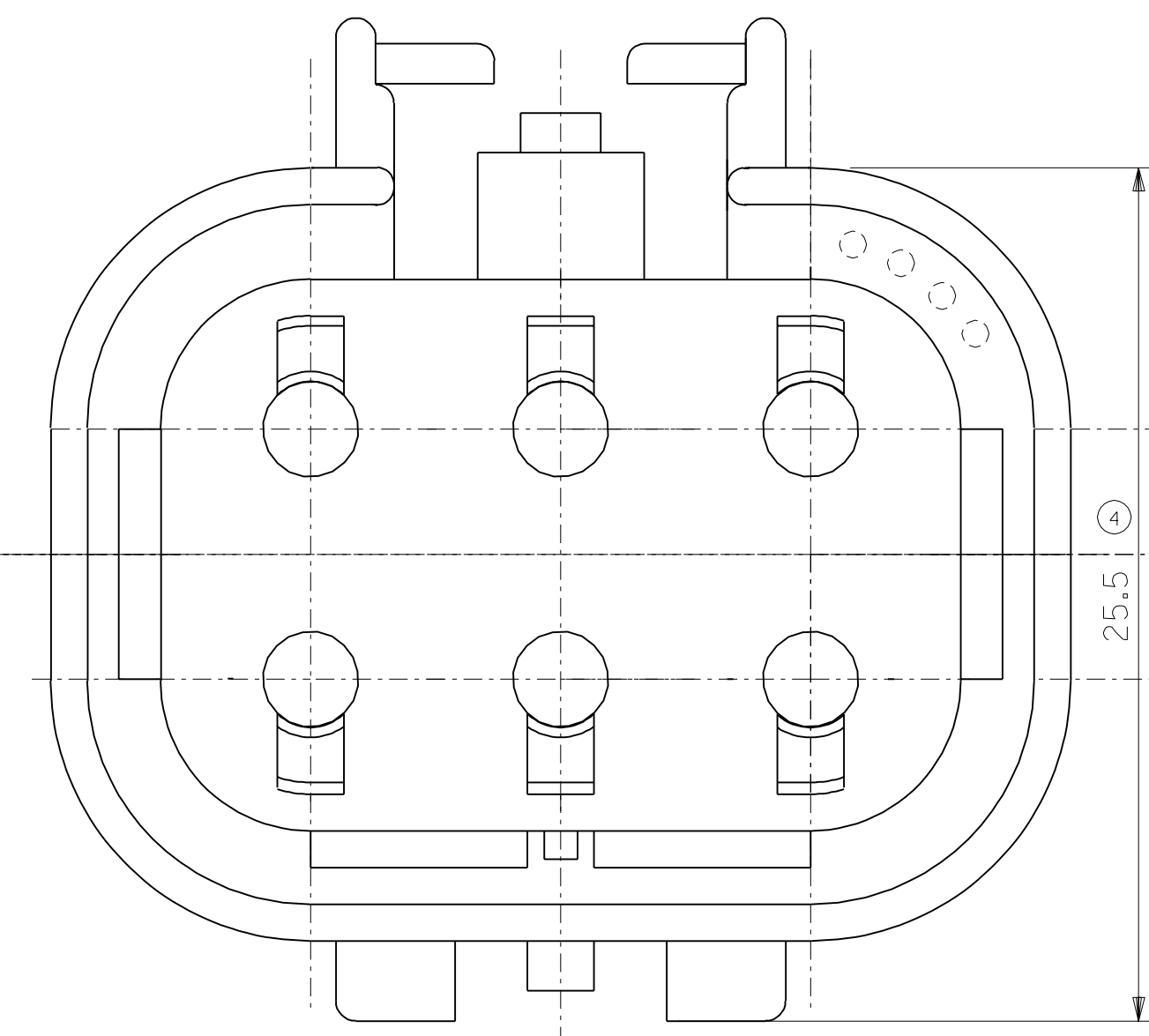


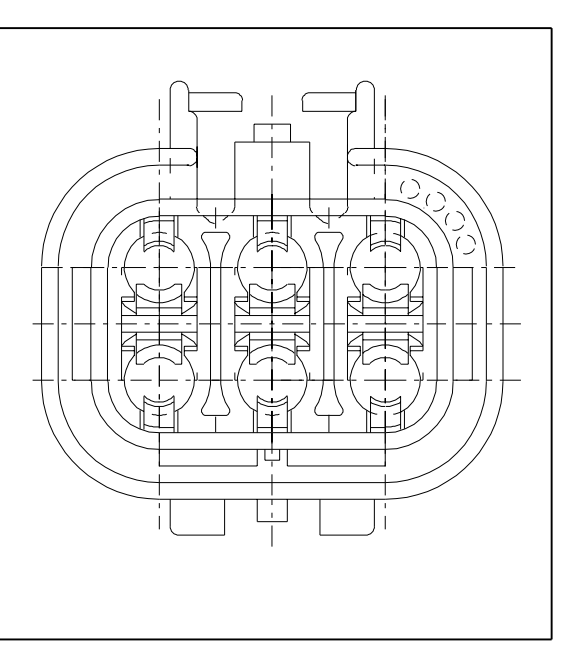
13 12 11 10 9 8 7 6 5 4 3 2 1



5 SEAL
 1 HOUSING
 2 SPACER
 1 ST STOP POSITION
 (COLOR BLUE)

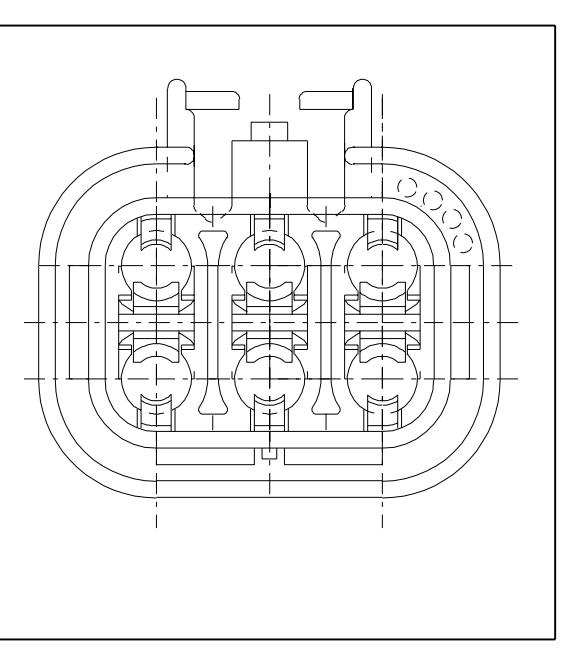


COLOR	FARBE	RAL	MOLEX-NO.
BLACK	SCHWARZ	9005	98029-0011
BROWN	BRAUN	8017	98029-0012
BLUE	BLAU	5015	98029-0013
GREEN	GRUEN	6001	98029-0014
YELLOW	GELB	1018	98029-0015
GREY	GRAU	7035	98029-0016
ORANGE	ORANGE	1007	98029-0017
NATUR	NATURAL	-	98029-0018



VERSION WITH MOUNTING - CLIP

COLOR	FARBE	RAL	MOLEX-NO.
BLACK	SCHWARZ	9005	98029-0001
BROWN	BRAUN	8017	98029-0002
BLUE	BLAU	5015	98029-0003
GREEN	GRUEN	6001	98029-0004
YELLOW	GELB	1018	98029-0005
GREY	GRAU	7035	98029-0006
ORANGE	ORANGE	1007	98029-0007
NATUR	NATURAL	-	98029-0008



VERSION WITHOUT MOUNTING - CLIP

MOLEX - CODE
 XXXXX - X X X X
 I-8 COLOR
 0=WITHOUT CLIP
 1=WITH CLIP
 0=HOUSING WITH SPACER
 1=HOUSING WITHOUT SPACER
 BASIC PART - NO.

MATERIAL: 1 PBTP 30% GV
 2 PBTP 30% GV
 5 SILICON RUBBER

FOR PREVIOUS
 DRAWING ISSUES
 SEE "EDIS"

ECN G-1999-3278 NME Date: 31-May-1999	REVISIONS	THIRD ANGLE PROJECTION		REVISE ONLY ON CAD SYSTEM		SH.	REV.
		DIMENSIONS SHOWN (METRIC) INCH UNLESS OTHERWISE SPECIFIED TOLERANCES: ANGULAR * INCH (METRIC)		CAD/CAM FILENAME SDA98029 DGN		THIS DRAWING CONTAINS INFORMATION THAT IS PROPRIETARY TO MOLEX INC. & SHOULD NOT BE USED WITHOUT WRITTEN PERMISSION	
PI	LTR	3 PLACE ±	±	TITLE 6-WAY HOUSING FOR FEMALE TERMINAL WATERPROOF 2.8-SYSTEM			
		2 PLACE ±	±	MOLEX MOLEX EUROPE		SHEET NO.	DATE
		1 PLACE ±	± 0.20			1 / 1	19 / 02 / 87
		DESIGN DIMENSION (MM) <input checked="" type="checkbox"/> (MM) (PRIMARY) <input type="checkbox"/> IN.				PART NO.	
		EQUIVALENT DIMENSION (MM) <input type="checkbox"/> (MM) (SECONDARY) <input type="checkbox"/> IN.		SCALE 5:1		DWG NO. SDA-98029	
				SEE TABLE		SIZE C	

7133-1283 13 12 11 10 9 8 7 6 5 4 3 2 1