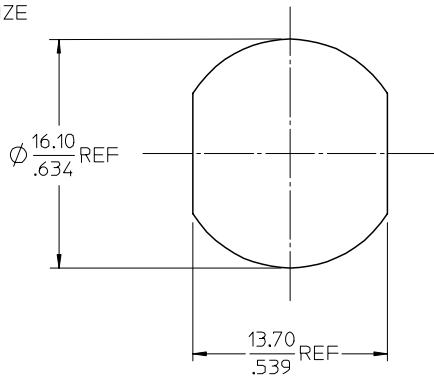


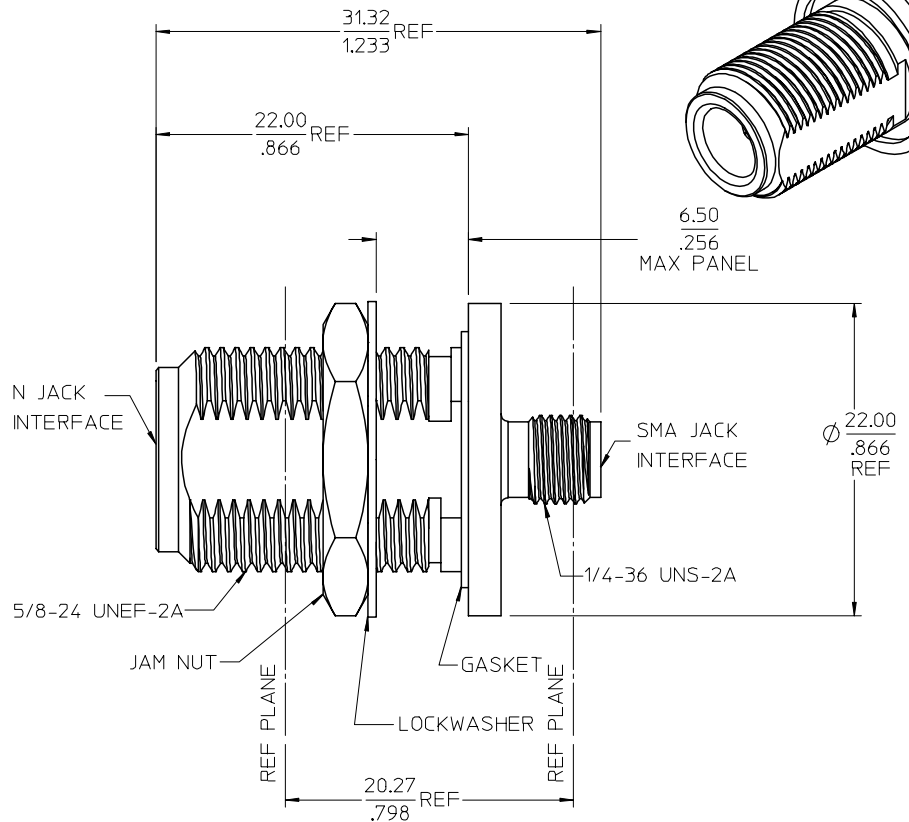
13 12 11 10 9 8 7 6 5 4 3 2 1

MATERIALS AND FINISHES

- J BODY STAINLESS STEEL
PASSIVATED
- I JAM NUT BRASS
PLATED NICKEL
- H CENTER CONTACT BERYLLIUM COPPER
PLATED GOLD
- H INSULATOR TEFLON
- G GASKET SILICONE RUBBER
- G LOCK WASHER PHOSPHOR BRONZE
PLATED NICKEL



RECOMMENDED MOUNTING HOLE



MIL-STD-348A, FIG 304-2	N INTERFACE
MIL-STD-348A, FIG 310-2	SMA INTERFACE
PS-89675-2720	ELEC/MECH PERFORMANCE
SPECIFICATION	DESCRIPTION

73386-1091	73386-1090, ONE PER BAG
73386-1090	BULK
PART NO.	PACKAGING

A	CHG: ADDED P/N 73386-1091	EC NO: URF2007-0287 DRAWN: FLAHERTY 2007/02/08 CHKD: SHAH 2007/02/08 APPR: JIM ENER 2007/02/08	DESCRIPTION	QUALITY SYMBOLS	GENERAL TOLERANCES (UNLESS SPECIFIED)	DIMENSION STYLE	SCALE	DESIGN UNITS	THIRD ANGLE PROJECTION																					
				$\nabla=0$ $\nabla=0$		MM/IN	METRIC																							
					<table border="1"> <tr> <th>mm</th> <th>INCH</th> </tr> <tr> <td>4 PLACES</td> <td>± --- ± ---</td> </tr> <tr> <td>3 PLACES</td> <td>± --- ± ---</td> </tr> <tr> <td>2 PLACES</td> <td>± --- ± ---</td> </tr> <tr> <td>1 PLACE</td> <td>± --- ± ---</td> </tr> </table>	mm	INCH	4 PLACES	± --- ± ---	3 PLACES	± --- ± ---	2 PLACES	± --- ± ---	1 PLACE	± --- ± ---	<table border="1"> <tr> <td>DRAWN BY</td> <td>DATE</td> </tr> <tr> <td>JM</td> <td>2005/08/23</td> </tr> <tr> <td>CHECKED BY</td> <td>DATE</td> </tr> <tr> <td>JM</td> <td>2005/08/23</td> </tr> <tr> <td>APPROVED BY</td> <td>DATE</td> </tr> <tr> <td>JDW</td> <td>2005/08/23</td> </tr> </table>	DRAWN BY	DATE	JM	2005/08/23	CHECKED BY	DATE	JM	2005/08/23	APPROVED BY	DATE	JDW	2005/08/23	TITLE	
mm	INCH																													
4 PLACES	± --- ± ---																													
3 PLACES	± --- ± ---																													
2 PLACES	± --- ± ---																													
1 PLACE	± --- ± ---																													
DRAWN BY	DATE																													
JM	2005/08/23																													
CHECKED BY	DATE																													
JM	2005/08/23																													
APPROVED BY	DATE																													
JDW	2005/08/23																													
					<p>BSA, N JACK BULKHEAD TO SMA JACK, 50 OHMS EWR-2892, BSA-NJ/SMAJ</p>																									
					<p>ANGULAR ± 2 °</p>	MATERIAL NO.	DOCUMENT NO.		SHEET NO.																					
					DRAFT WHERE APPLICABLE MUST REMAIN WITHIN DIMENSIONS	SEE TABLE	SD-73386-109		1 OF 1																					
					SIZE C	THIS DRAWING CONTAINS INFORMATION THAT IS PROPRIETARY TO MOLEX INCORPORATED AND SHOULD NOT BE USED WITHOUT WRITTEN PERMISSION																								

12 11 10 9 8 7 6 5 4 3 2 1