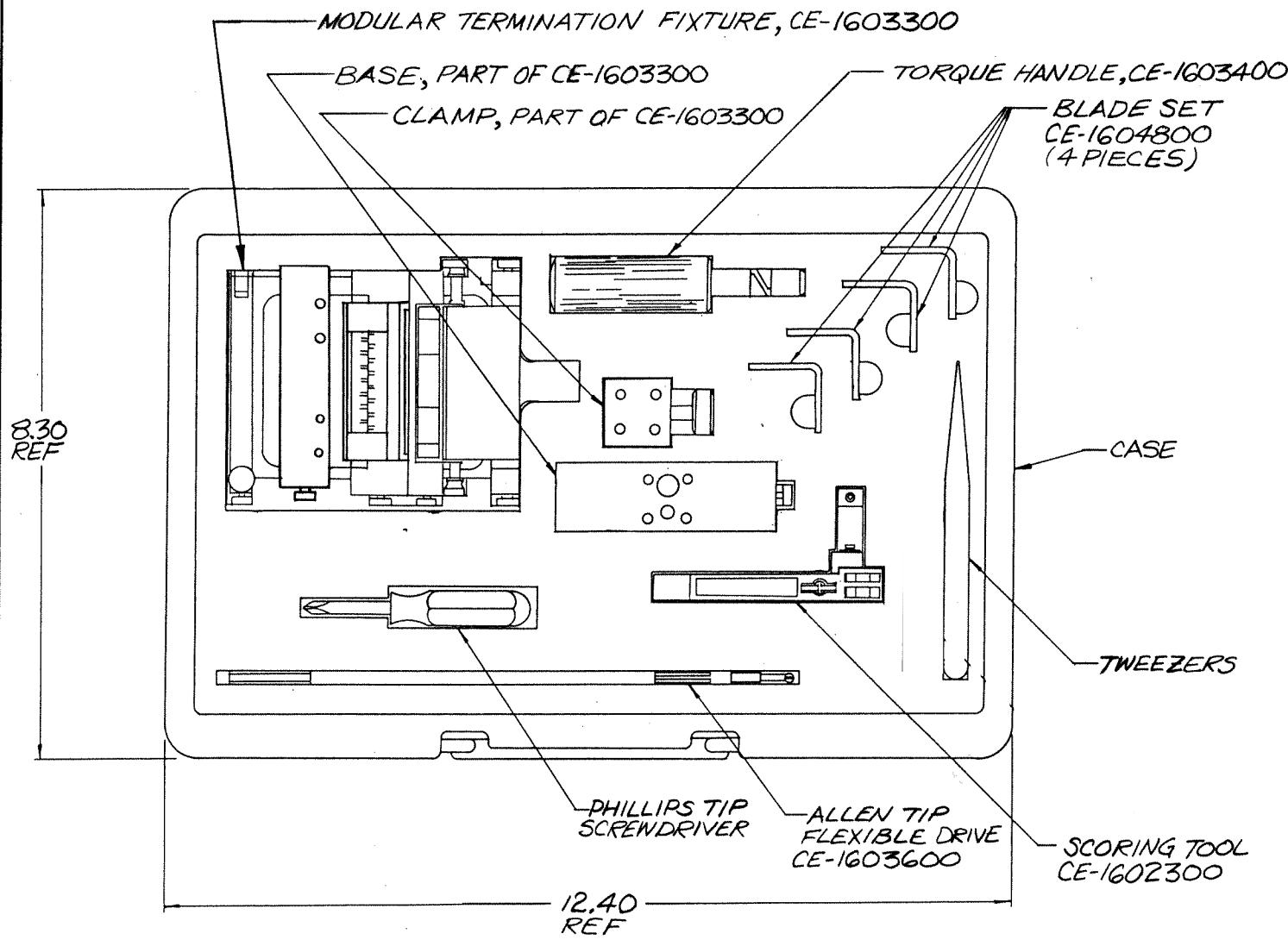
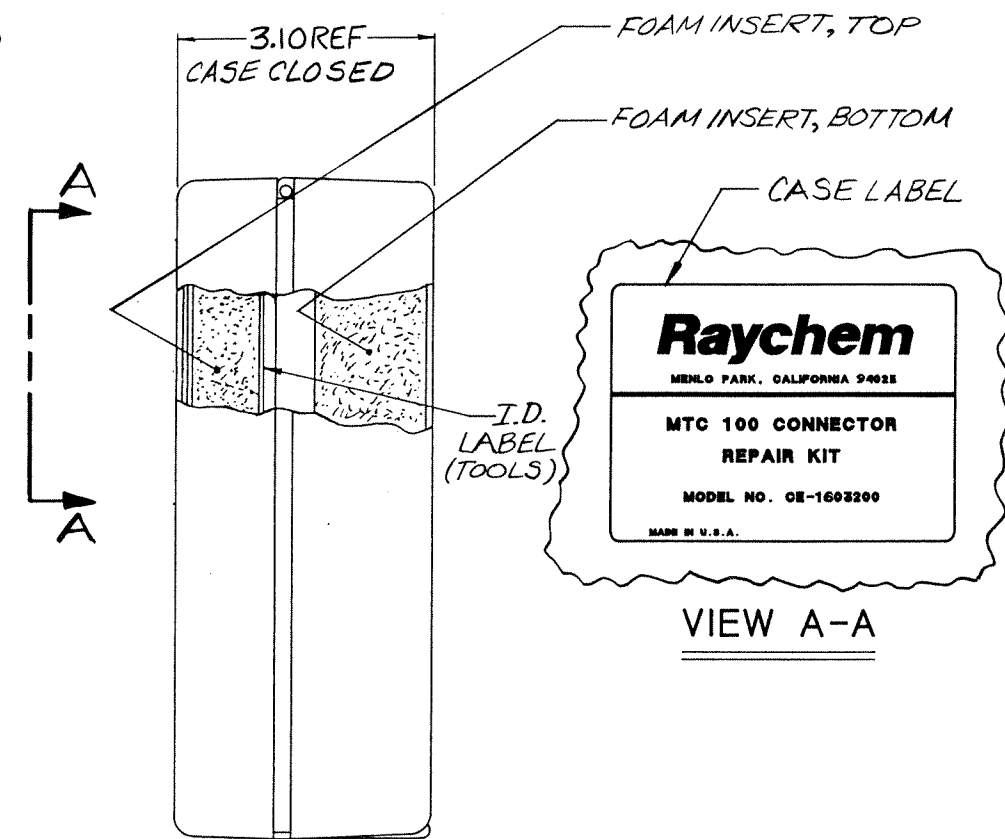


REVISIONS			
LTR	DESCRIPTION	DATE	APPROVED
NC	RELEASED TO MFG PER ECN NO. T-16987	12/17/91	<i>SMR</i>
A	REVISED PICTORIALY; ECN: # T-17232	3/11/92	<i>SMR</i>
B	REV PER ECO 17-017849	CT 12-11-17	DC



VIEW SHOWN WITH LID REMOVED TO ILLUSTRATE COMPONENTS



VIEW A-A

If this document is printed it becomes uncontrolled. Check for the latest revision.

CUSTOMER DRAWING

© Raychem Corporation 1991

UNLESS OTHERWISE SPECIFIED DIMENSIONS ARE IN INCHES. METRIC DIMENSIONS ARE IN BRACKETS.  DECIMALS .XXX ± _____ [ mm] .XX ± _____ [ mm]  ANGLES .X ± _____  WEIGHT _____ lbs [ g]	DRAWN <i>G. ROSITANO</i> 9 DEC 13	<b>Raychem</b> RAYCHEM CORPORATION 300 CONSTITUTION DRIVE MENLO PARK, CALIFORNIA 94025	
	CHECKED <i>E. Staller</i> 12/17/91		TITLE <b>MTC 100 STANDARD REPAIR KIT</b>
	APPROVED <i>G. Rositano</i> 12/17/91		CAD NAME _____
	APPROVED _____		THIRD ANGLE PROJECTION
	SIZE <b>C</b> CODE IDENT. NO. <b>06090</b> DWG. NO. <b>CE-1603200</b> REV <b>B</b>	DO NOT SCALE THIS DRAWING NO SCALE SHEET 1 OF 1	

DWG NO. CE-1603200 SHEET 1