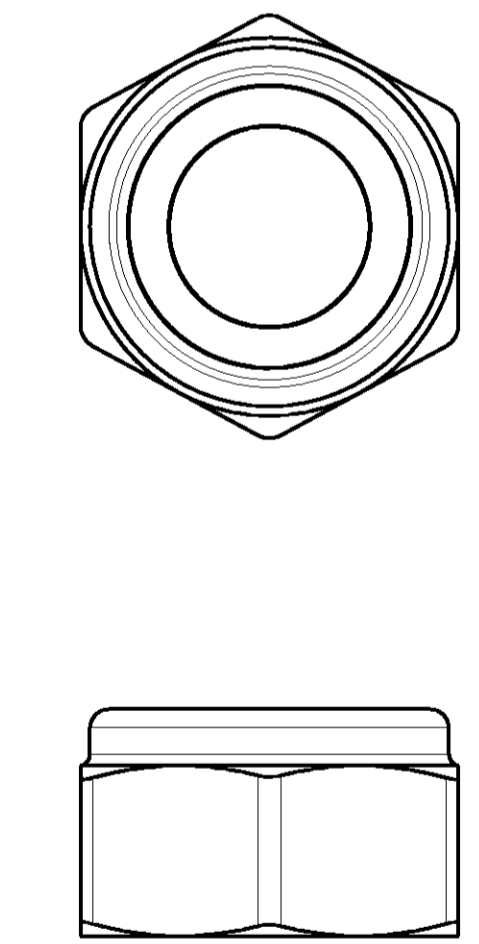
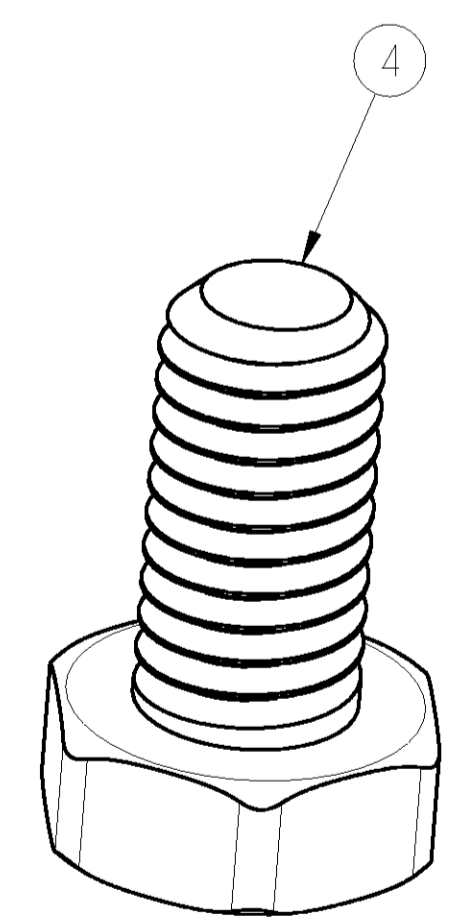
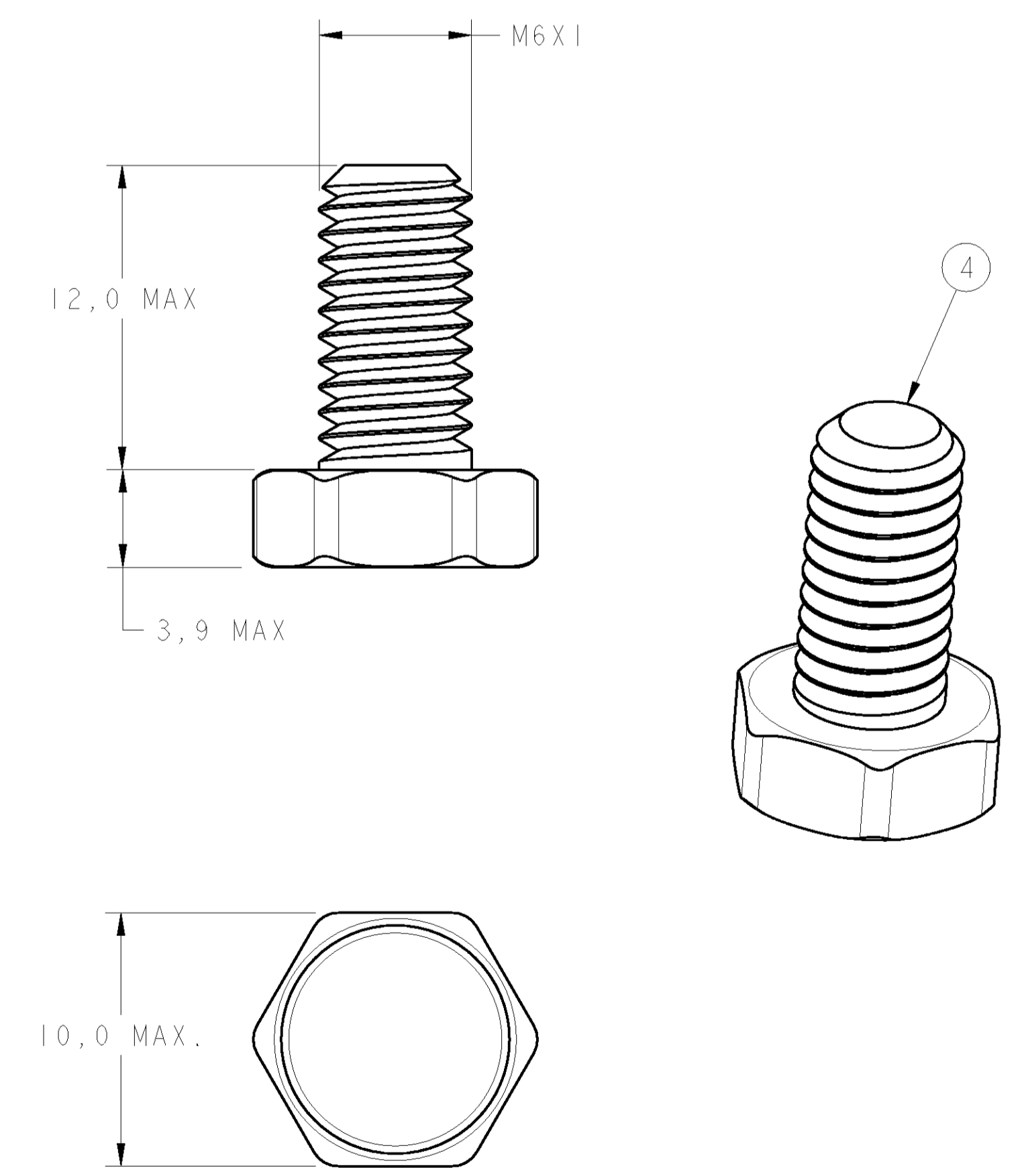
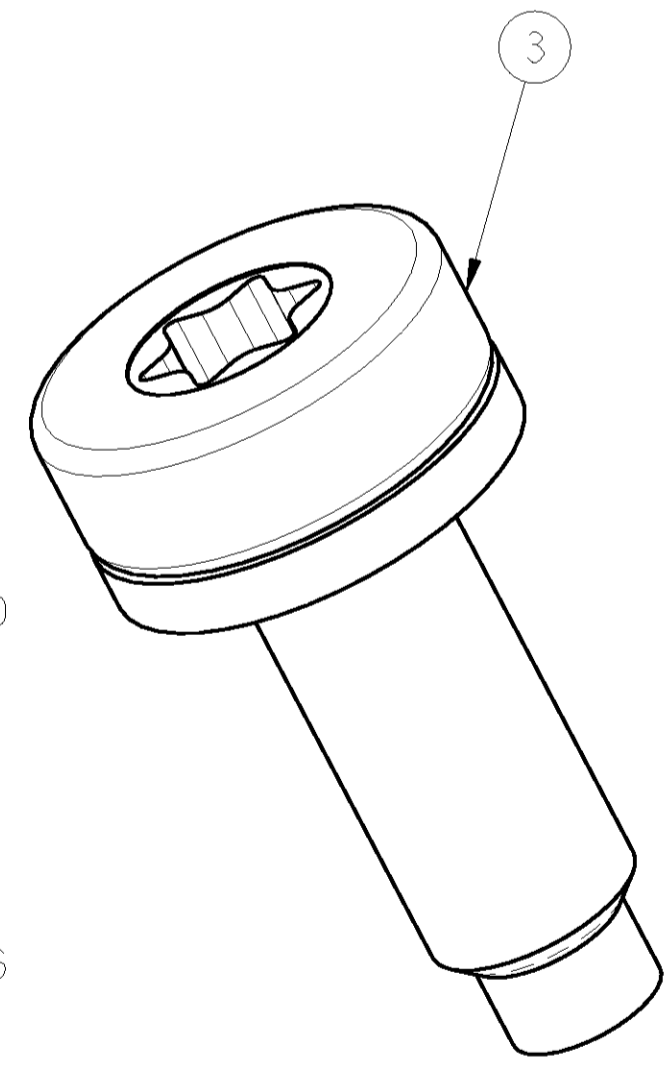
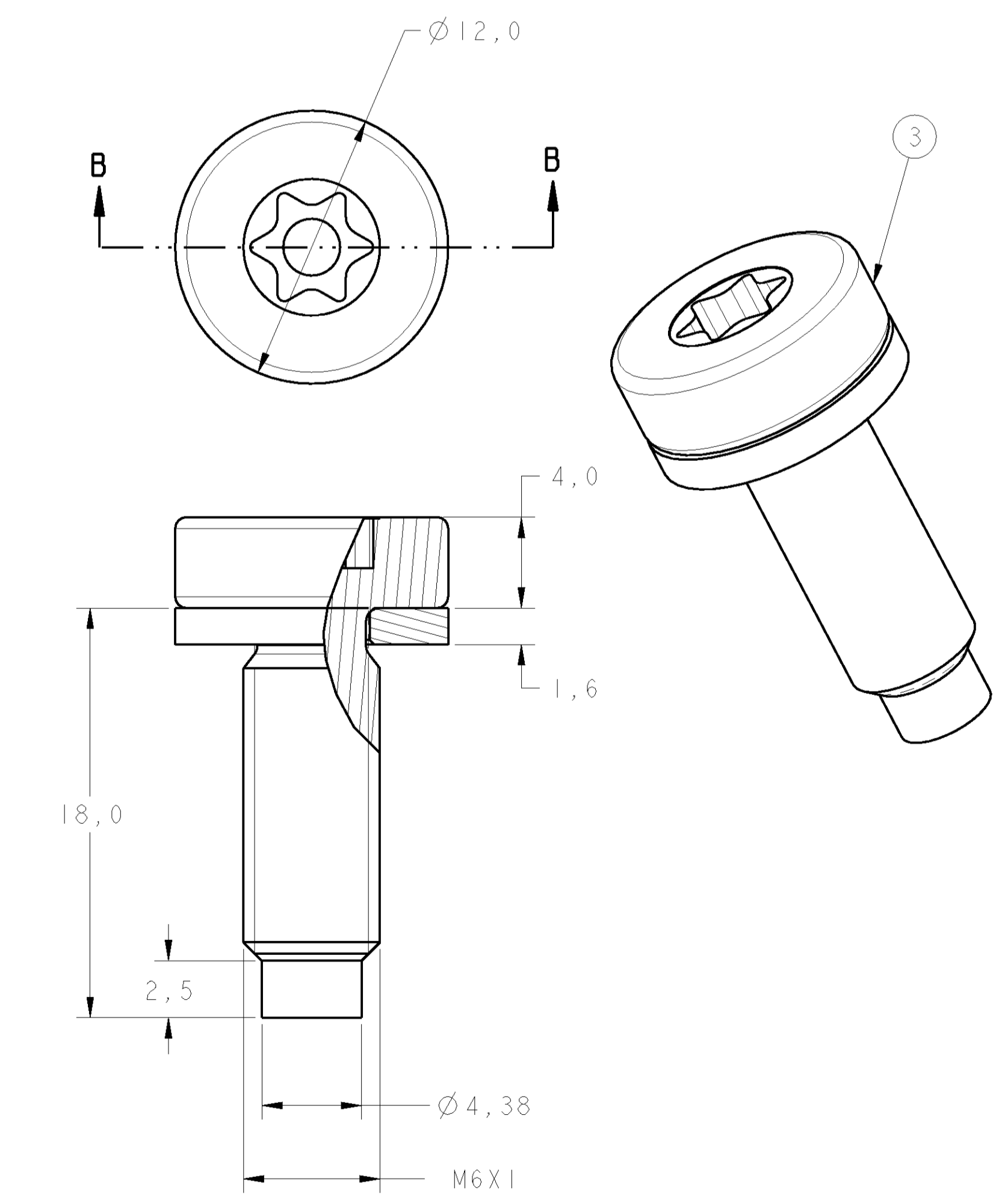
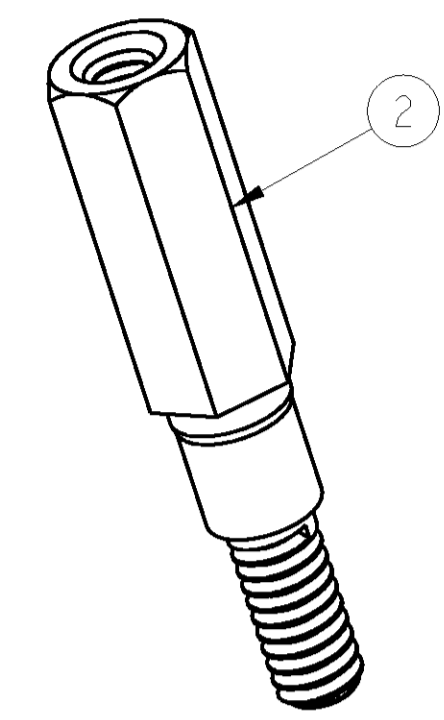
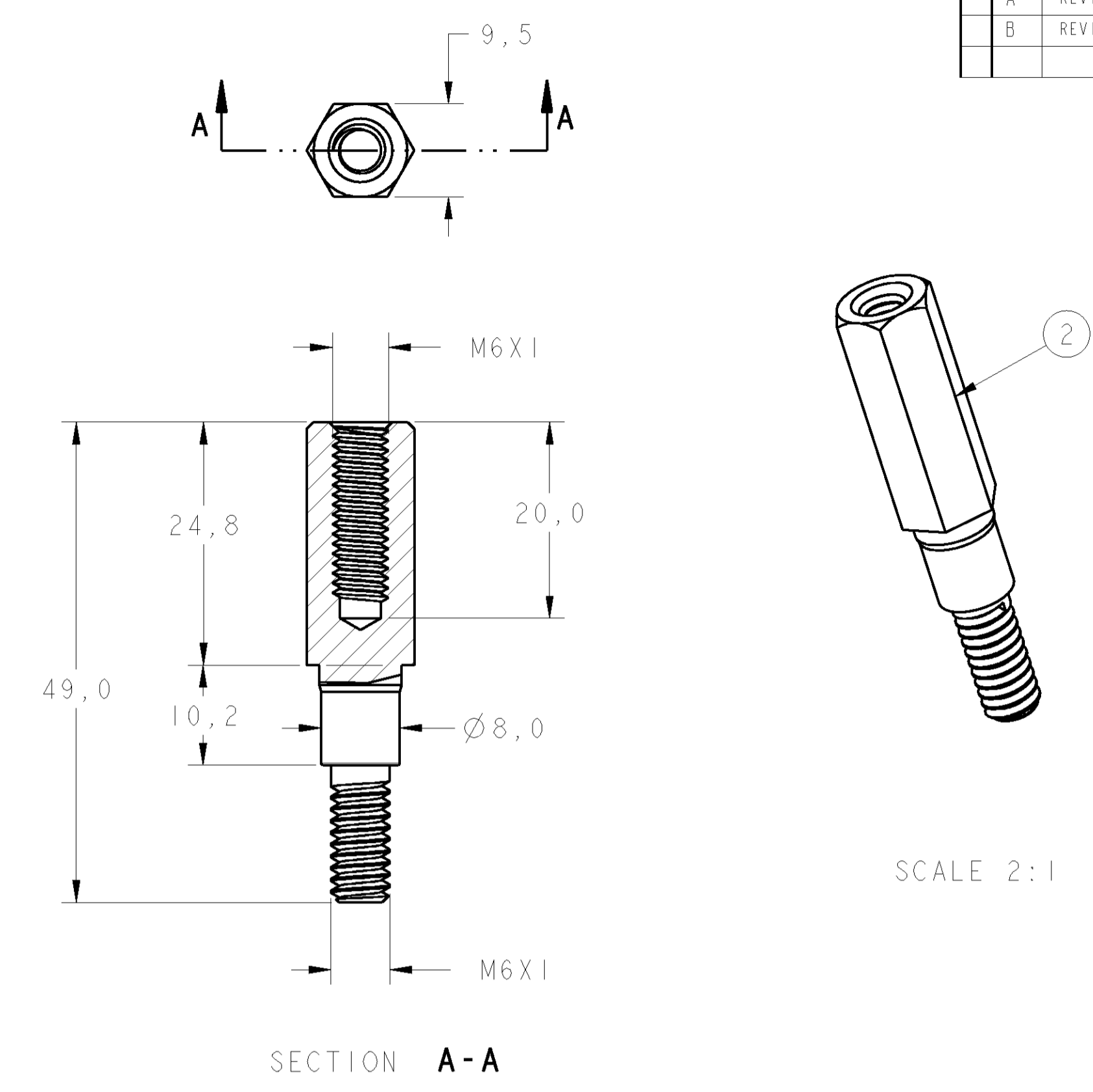
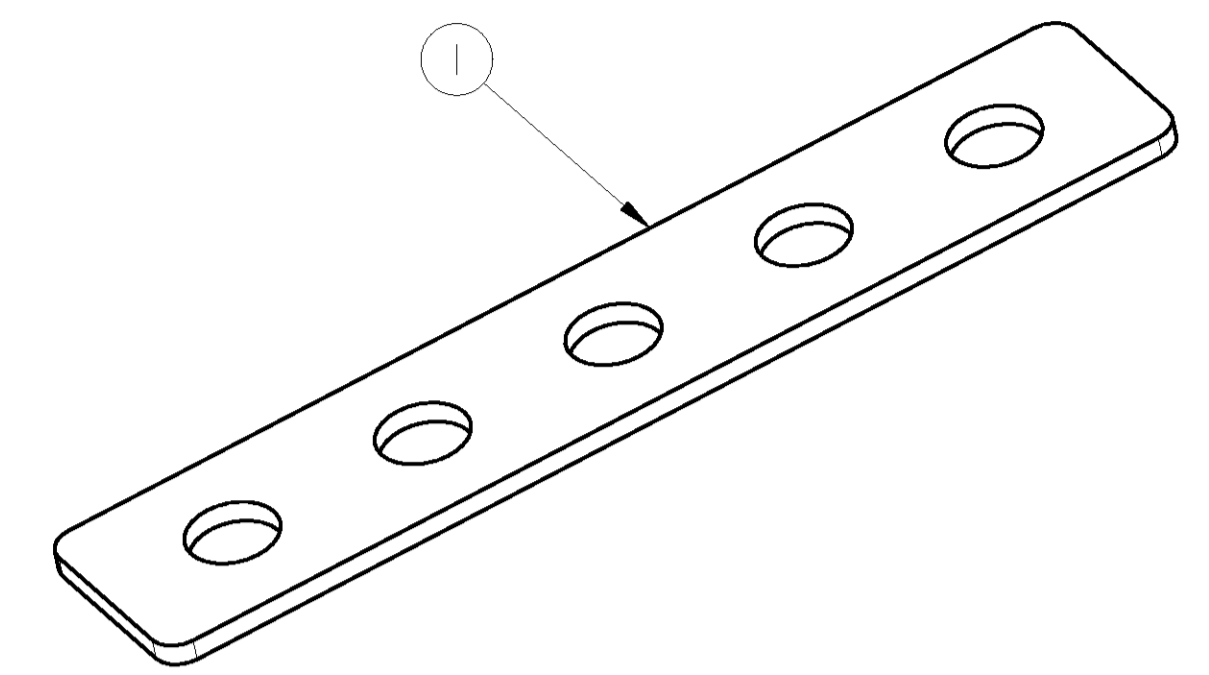
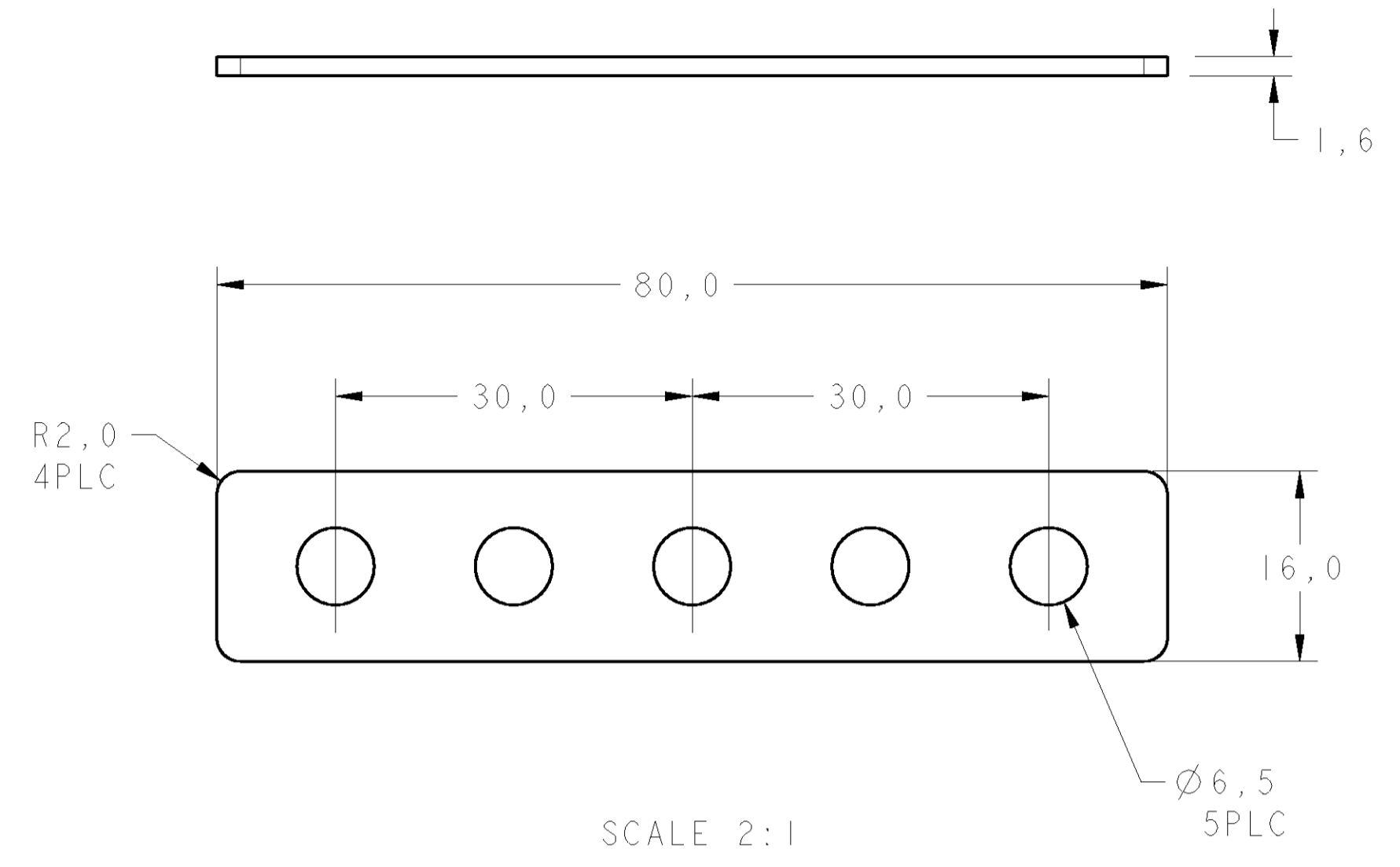


REVISÕES		DATA	EL	PLF
LOC	DIST	DESCRITÃO		
0		RELEASED BY EC LE10-0075-05	24FEB2005	EL PLF
A		REVISED EC LE10-0110/05	30MAR2005	MAS PLF
B		REVISED BY ECO-06-009320	24JUL2006	RKTL PLF



REQ. PER ASSY	ITEM	DESCRIPTION	MATERIAL	FINISH
1	3	NUT M6, SELF LOCKING	ACO/STEEL	Zn/Ni COLORLESS
1	4	SCREW, M6	ACO/STEEL	ZINC PLATED/ZINCADO
1	3	SPLINE SOCKET SCREW, M6X30	ACO/STEEL	ZINC PLATED/ZINCADO
1	2	BOLT	LATAO/BRASS	UNPLATED
1	1	BUSBAR, POWER DISTRIBUTION	LATAO/BRASS	UNPLATED

1599601	ITEM	DESCRIPTION	MATERIAL	FINISH
---------	------	-------------	----------	--------

DIMENSIONS:	TOLERANCES UNLESS OTHERWISE SPECIFIED:	DWN	22FEB2005		TYCO ELECTRONICS do Brasil LTDA. São Paulo, Brasil
mm	0 PLC ± 1 PLC ±0,5 2 PLC ± 3 PLC ± 4 PLC ±	CHK	22FEB2005		
MATERIAL	FINISH	APVD	22FEB2005	NAME	POWER DISTRIBUTION FIXING KIT
SEE TABLE	SEE TABLE	W.S. OLIVEIRA		SIZE	CAGE CODE DRAWING NO
		WEIGHT		A	00779
		CUSTOMER DRAWING		SCALE	5:1