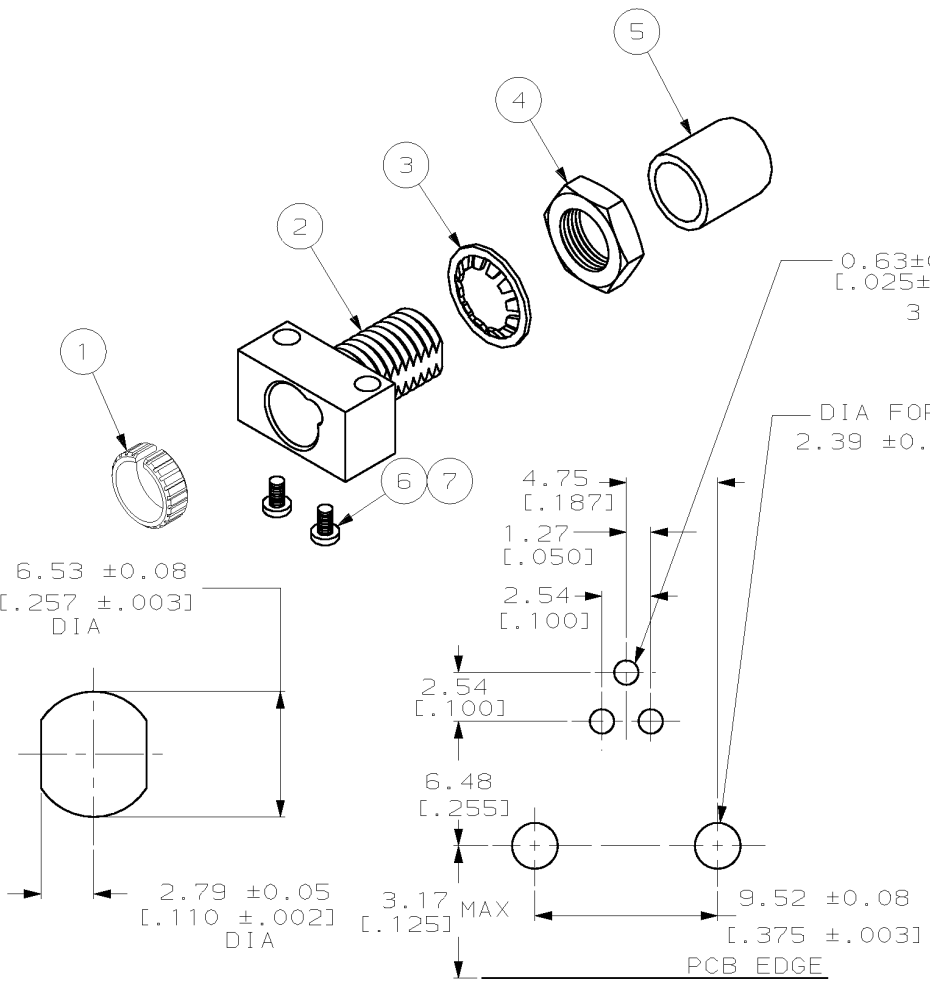


THIS DRAWING IS UNPUBLISHED. RELEASED FOR PUBLICATION .19
 © COPYRIGHT 19 BY AMP INCORPORATED. ALL RIGHTS RESERVED.

LOC	DIST	REVISIONS			
P	LTR	DESCRIPTION	DATE	DWN	APVD
CE	16	K	REV PER 0A00-0065-03	6-5-03	DE SB



- MAX RECOMMENDED PANEL THICKNESS: 1.57 [.062]
- DIMENSIONS IN [] ARE IN INCHES
- ACCEPTS ACTIVE DEVICES: TO-18 TYPE, TO-46 TYPE, TO-52 TYPE, AND HONEYWELL LOW-COST PLASTIC SWEETSPOT
- BULK PACKAGED

OBSOLETE		OBSOLETE		OBSOLETE		OBSOLETE		OBSOLETE		OBSOLETE		OBSOLETE			
QTY	REQ'D	PER	ASSY	QTY	REQ'D	PER	ASSY	QTY	REQ'D	PER	ASSY	QTY	REQ'D	PER	ASSY
-	-	-	-	2	-	-	-	2	-	-	-	2	-	-	-
1	1	1	1	1	1	1	1	1	1	1	1	1	1	1	1
-	1	1	-	1	1	1	1	1	1	1	1	1	1	1	1
1	1	1	1	1	1	1	1	1	1	1	1	1	1	1	1
1	1	1	1	1	1	1	1	1	1	1	1	1	1	1	1
-7	-6	-5	-4	-3	-2	-1	-1								
QTY REQ'D PER ASSY												PART NO	DESCRIPTION	ITEM NO.	

SUGGESTED CLEARANCE HOLE

SUGGESTED MOUNTING PATTERN

THIS DRAWING IS A CONTROLLED DOCUMENT.

DIMENSIONS: mm	TOLERANCES UNLESS OTHERWISE SPECIFIED:	DWN D.KNOWLDEN 7-13-88	AMP AMP Incorporated Harrisburg, PA 17105-3608
	0 PLC ±-	CHK B.BRIGGS 7-14-88	
	1 PLC ±-	APVD K.MONROE 7-14-88	
	2 PLC ±0.25 [.010]	NAME	
	3 PLC ±-	PRODUCT SPEC	ACTIVE DEVICE MOUNT KIT, PCB MOUNT, FSMA, OPTIMATE
	4 PLC ±-	APPLICATION SPEC	SIZE CAGE CODE DRAWING NO RESTRICTED TO
	ANGLES ±-	IS 9082	A3 00779 C-502136
MATERIAL DEVICE MOUNT: ZINC	FINISH DEVICE MOUNT	WEIGHT -	CUSTOMER DRAWING SCALE 4:1 SHEET 1 OF 1 REV K