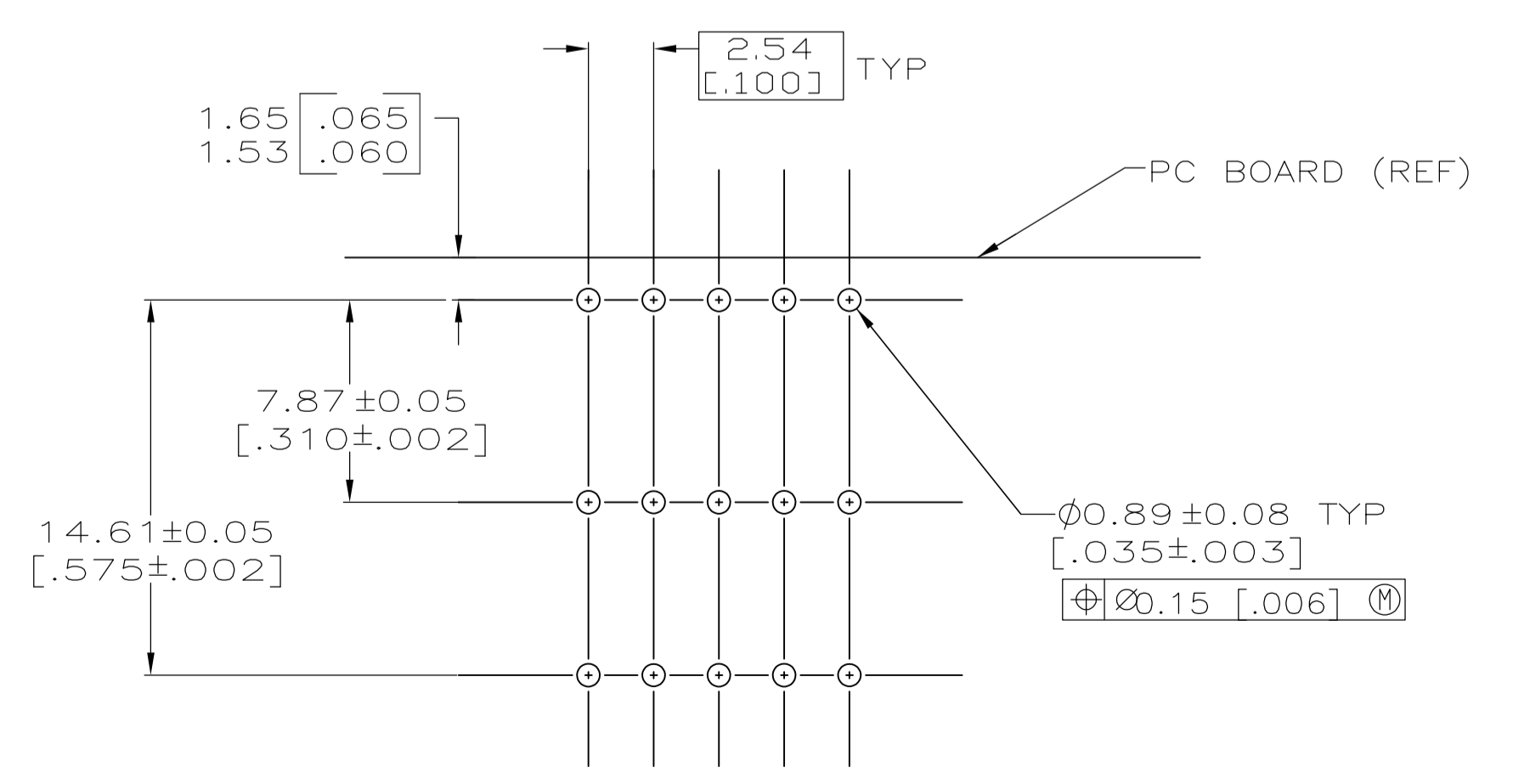
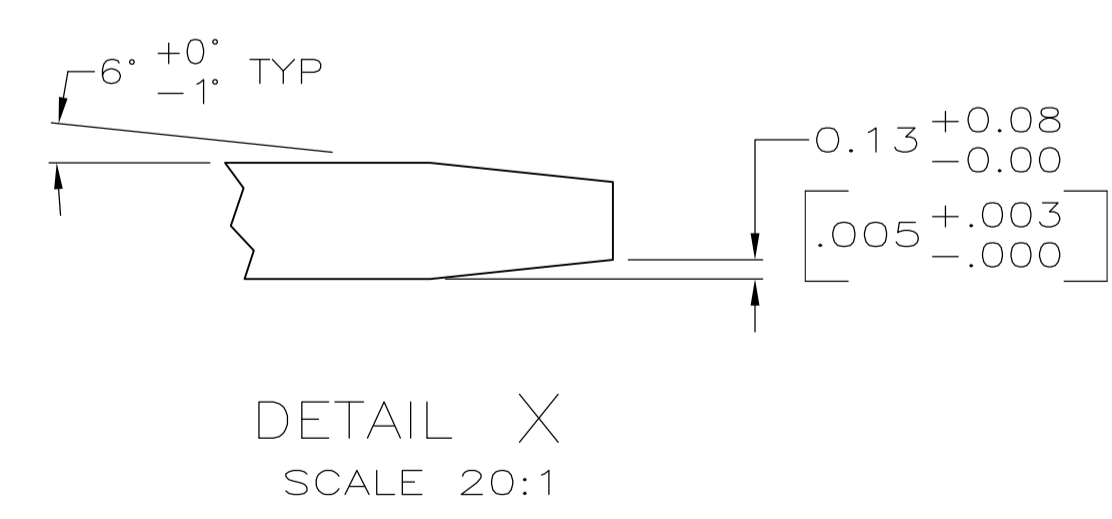
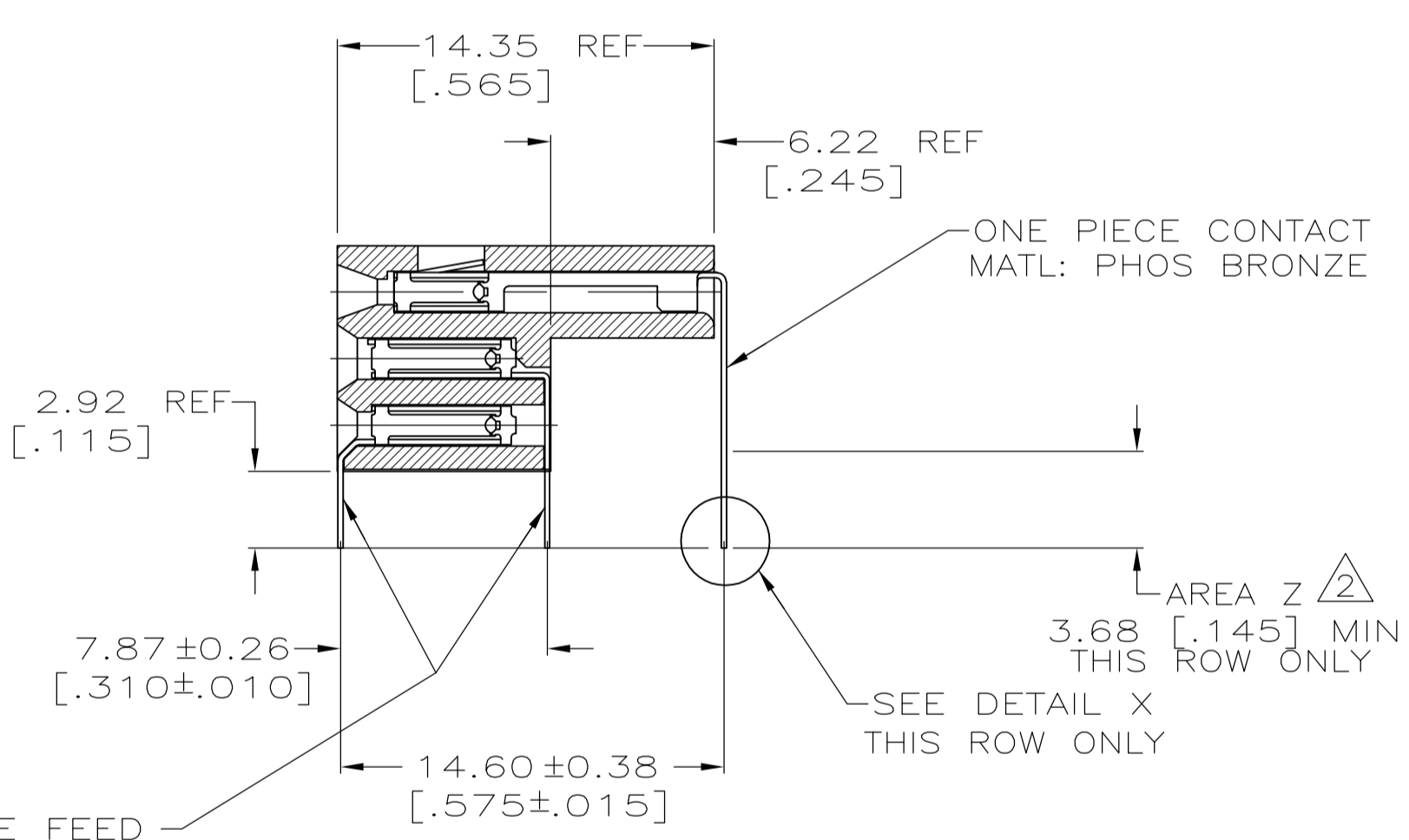
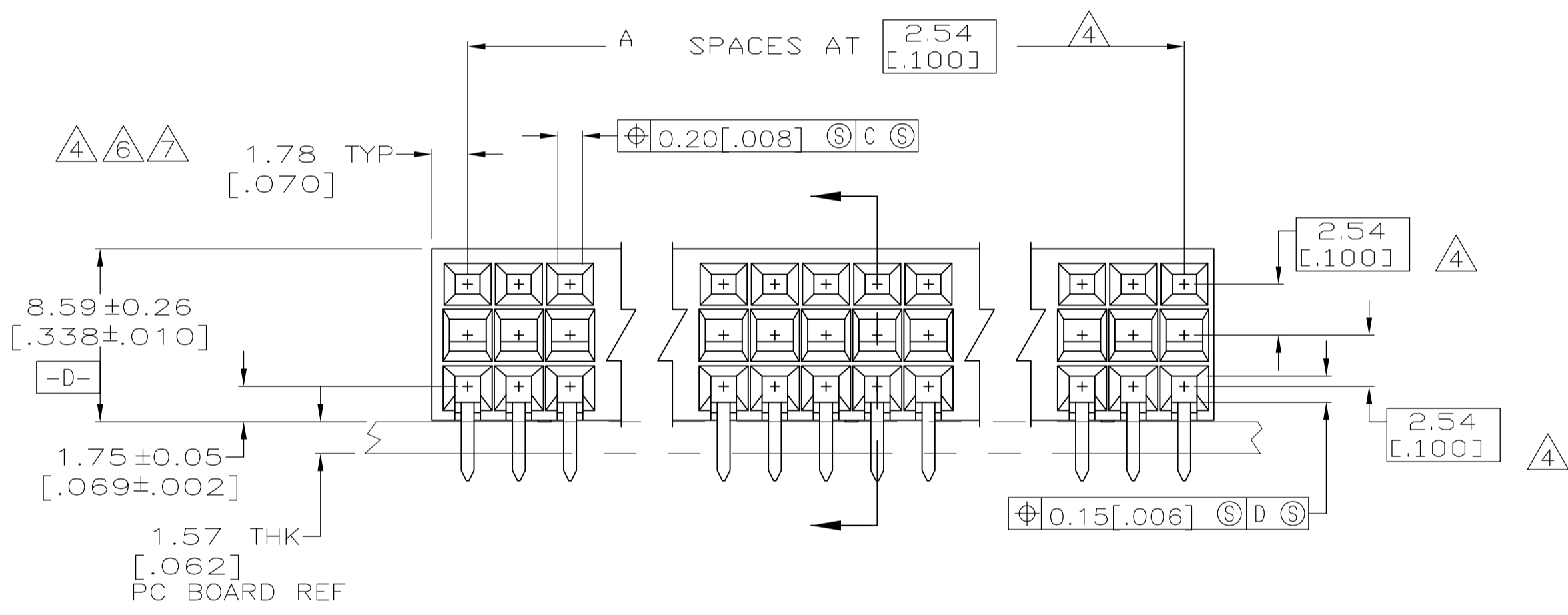
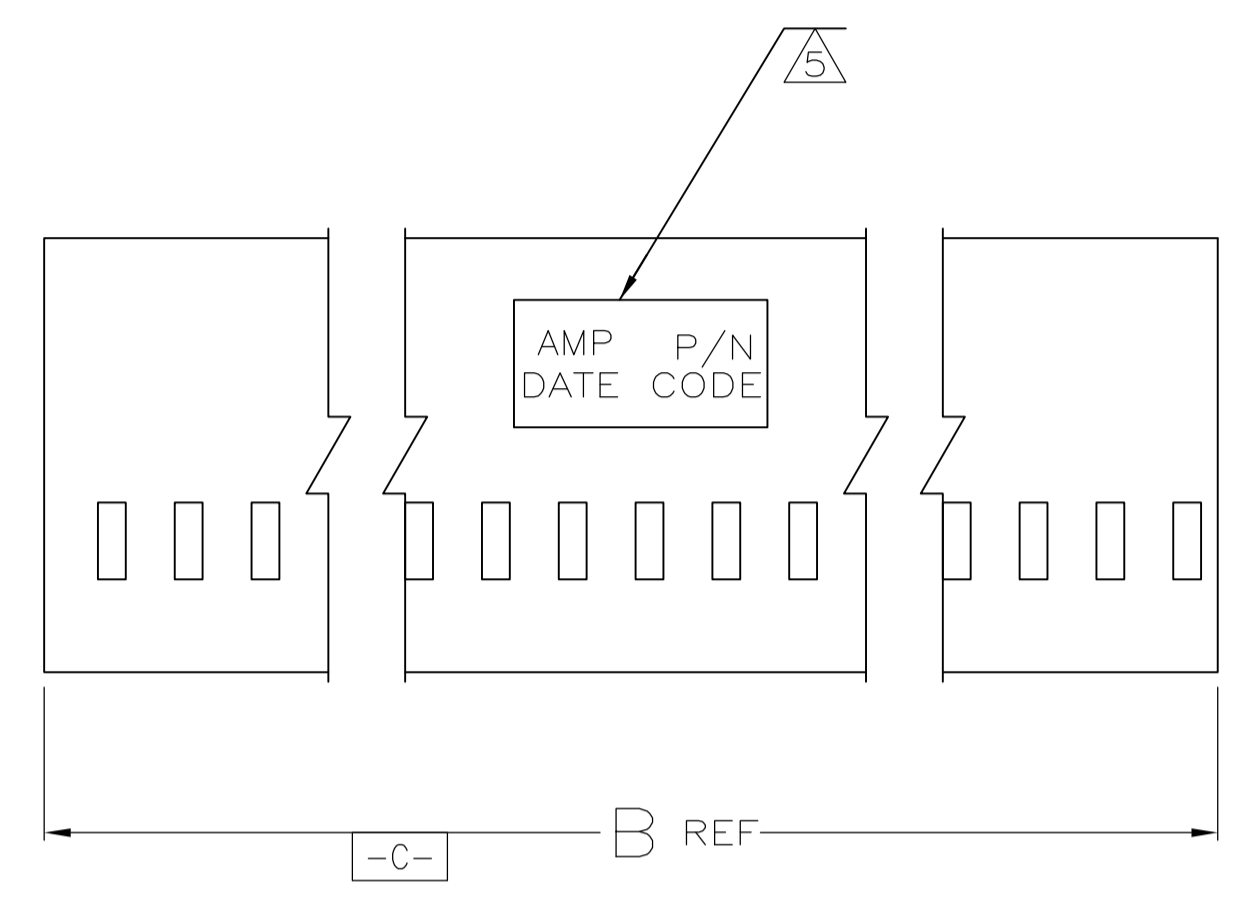


REVISIONS				
P	LTR	DESCRIPTION	DATE	APP'D
K	REV PER ECO	16-011355	8-12-16	CT MS

- 1 FLAME RETARDANT THERMOPLASTIC, COLOR - BLACK
- 2 63-37 TIN-LEAD (HOT DIPPED) IN AREA "Z".
- 3 GOLD FLASH OVER .00127[.000050] NICKEL ENTIRE CONTACT .00076[.000030] GOLD IN CONTACT AREA ONLY, ALL OVER .0127 [.00050] MIN NICKEL.
- 4 THESE DIMENSIONS PERTAIN TO CAVITY CENTERLINES ONLY - NOT CONTACT LOCATIONS
- 5 MARK "AMP", "PART NUMBER", "DATE CODE", 1.57±0.38[.062±.015] HIGH CHARACTERS IN APPROXIMATE AREA SHOWN.
- 6 ONE END OF HOUSING TO BE 1.78±0.13[.070±.005] CUT END OF HOUSING TO BE 1.47±0.10[.058±.004]
- 7 HOUSING ON ASSEMBLIES 56 POSN AND SMALLER MAY HAVE 1.47±0.10[.058±.004] DIMENSION ON BOTH ENDS.
- 8. MARK "CSA" LOGO ON PART.



OBSOLETE	6 7	31.19 [1.228]	11	36	2-102986-6
OBSOLETE	6	81.99 [3.228]	31	96	2-102986-5
	6	76.91 [3.028]	29	90	2-102986-4
OBSOLETE	6	64.21 [2.528]	24	75	2-102986-3
	6	61.67 [2.428]	23	72	2-102986-2
OBSOLETE	6	56.59 [2.228]	21	66	2-102986-1
OBSOLETE	6 7	41.35 [1.628]	15	48	2-102986-0
OBSOLETE	6	79.45 [3.128]	30	93	1-102986-9
OBSOLETE	6 7	26.11 [1.028]	9	30	1-102986-8
OBSOLETE					1-102986-7
	6	102.31 [4.028]	39	120	1-102986-6
OBSOLETE					1-102986-5
	6	84.53 [3.328]	32	99	1-102986-4
OBSOLETE	6	71.83 [2.828]	27	84	1-102986-3
OBSOLETE	6 7	38.81 [1.528]	14	45	1-102986-2
OBSOLETE	6 7	28.65 [1.128]	10	33	1-102986-1
OBSOLETE	6 7	23.57 [.928]	8	27	1-102986-0
	6	59.13 [2.328]	22	69	102986-9
	6	54.05 [2.128]	20	63	102986-8
OBSOLETE	6	51.51 [2.028]	19	60	102986-7
	6 7	46.43 [1.828]	17	54	102986-6
OBSOLETE	6 7	43.89 [1.728]	16	51	102986-5
OBSOLETE	6	109.93 [4.328]	42	129	102986-4
OBSOLETE	6	120.09 [4.728]	46	141	102986-3
	6	112.47 [4.428]	43	132	102986-2
OBSOLETE		148.34 [5.840]	57	174	102986-1

REMARKS	B	A	NO OF POSN	PART NUMBER

THIS DRAWING IS A CONTROLLED DOCUMENT.

APPROVED: KATE HELM 09/17/90
 CHK: MARIAN CLARK 09/22/90
 NAME: M. Clark 9-22-90

TE Connectivity

ASSY HSG, MOD II
 3 ROW, 100 C/L

0 PLC ± -
 1 PLC ± -
 2 PLC ± ± 0.13 [.005]
 3 PLC ± ± -
 4 PLC ± ± -
 ANGLES ± ± -

FINISH: HOUSING: 1 CONTACTS: 3

WEIGHT: 0.000000
 A1 00779 102986

CUSTOMER DRAWING SCALE: 4:1 SHEET 1 OF 1 REV K