



PRODUCT DATASHEET

Mirella series

last update 19/9/2014

DETAILS

Product Number	C13333_MIRELLA-CL
Family	Mirella
Type	Sublens
Color	clear
Diameter	41 mm
Height	3.4 mm
Style	round
Optic Material	PC
Holder Material	
Fastening	
Status	ready
ROHS Compliant	Yes
Date Updated	19/09/2014

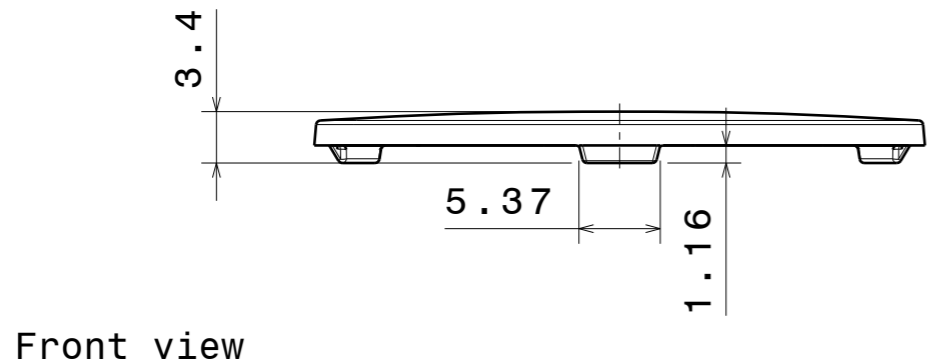


OPTICAL PROPERTIES

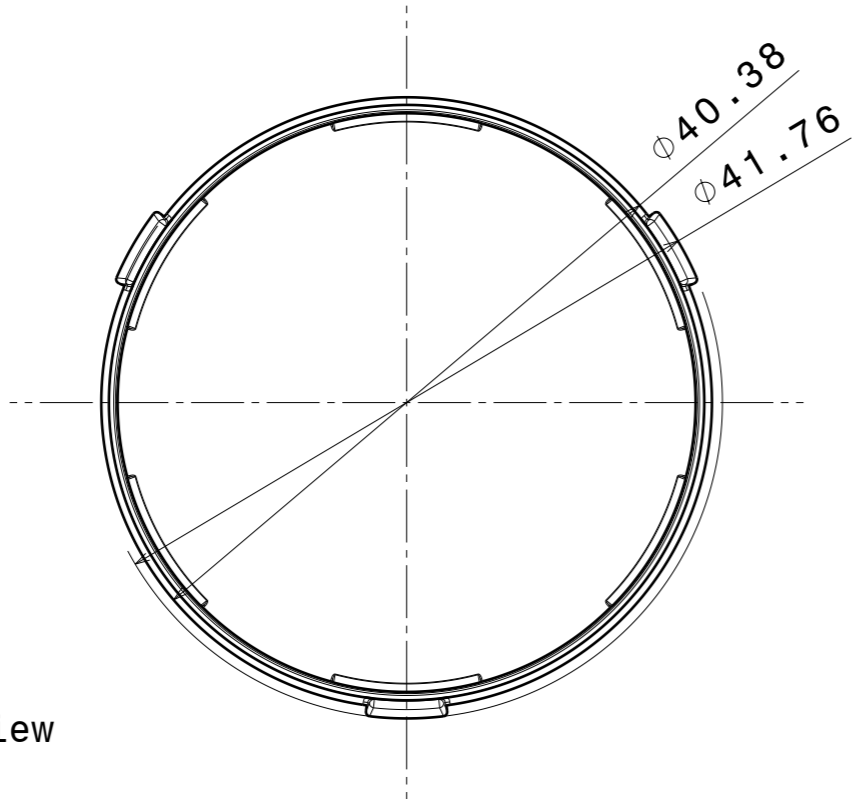
LED	Viewing Angle	Light Beam	Efficiency	cd/lm	Connector
	N/A deg		-	sim: 0.000	-

H G F E D C B A

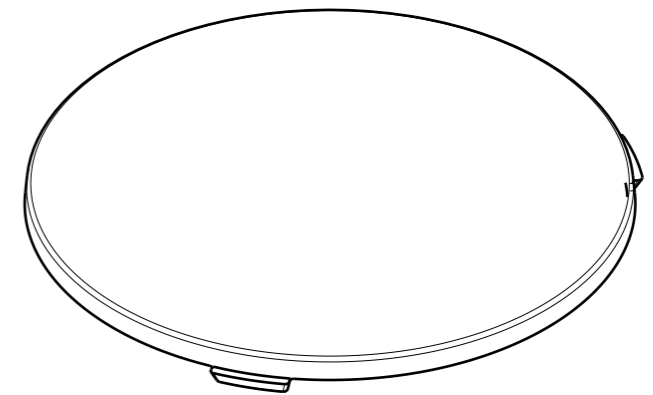
4
3
2
1



Front view



Bottom view



Isometric view

INDEX	PART NO	DESCRIPTION	MATERIAL	COLOUR
1	C13333	MIRELLA-CL	PC	clear

Tolerances if not otherwise shown
 According to DIN ISO 2768-1
 Linear measures: class C
 According to DIN ISO 2768-2
 Form and position: class L

LEDiL LediL Oy
 Salorankatu 10
 FIN 24240 SALO
 Finland

THIRD ANGLE PROJECTION:

DRAWING TITLE
C13333_MIRELLA-CL

This drawing is the property of LEDiL Oy. It may not be reproduced, copied or communicated without a written agreement with LEDiL Oy.

SIZE PART NUMBER
A3 C13333

SCALE 2:1 WEIGHT 2,94 g SHEET 1/1

H G B A

NOTE: The typical divergence will be changed by different color, chip size and chip position tolerance. The typical total divergence is the full angle measured where the luminous intensity is half of the peak value.