

Tous droits strictement réservés. Reproduction ou communication
 a des tiers interdite sans autorisation écrite de
 la propriété de FCI Besencon S. A.
 Droits de reproduction FCI Besencon S. A.

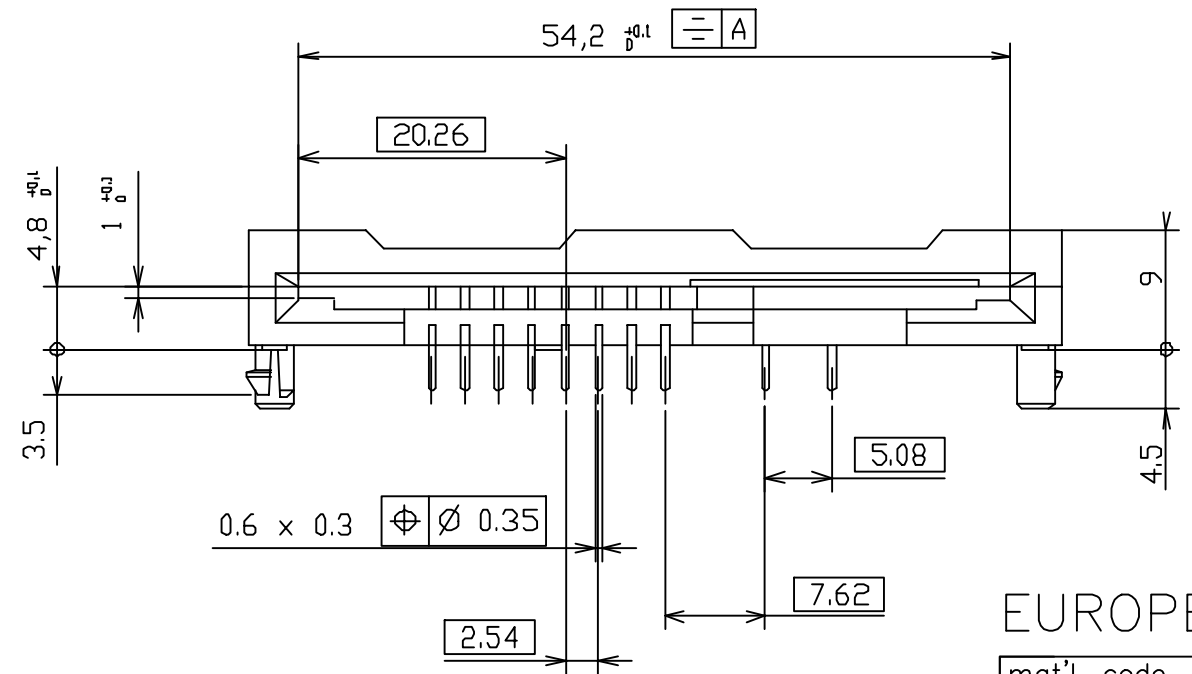
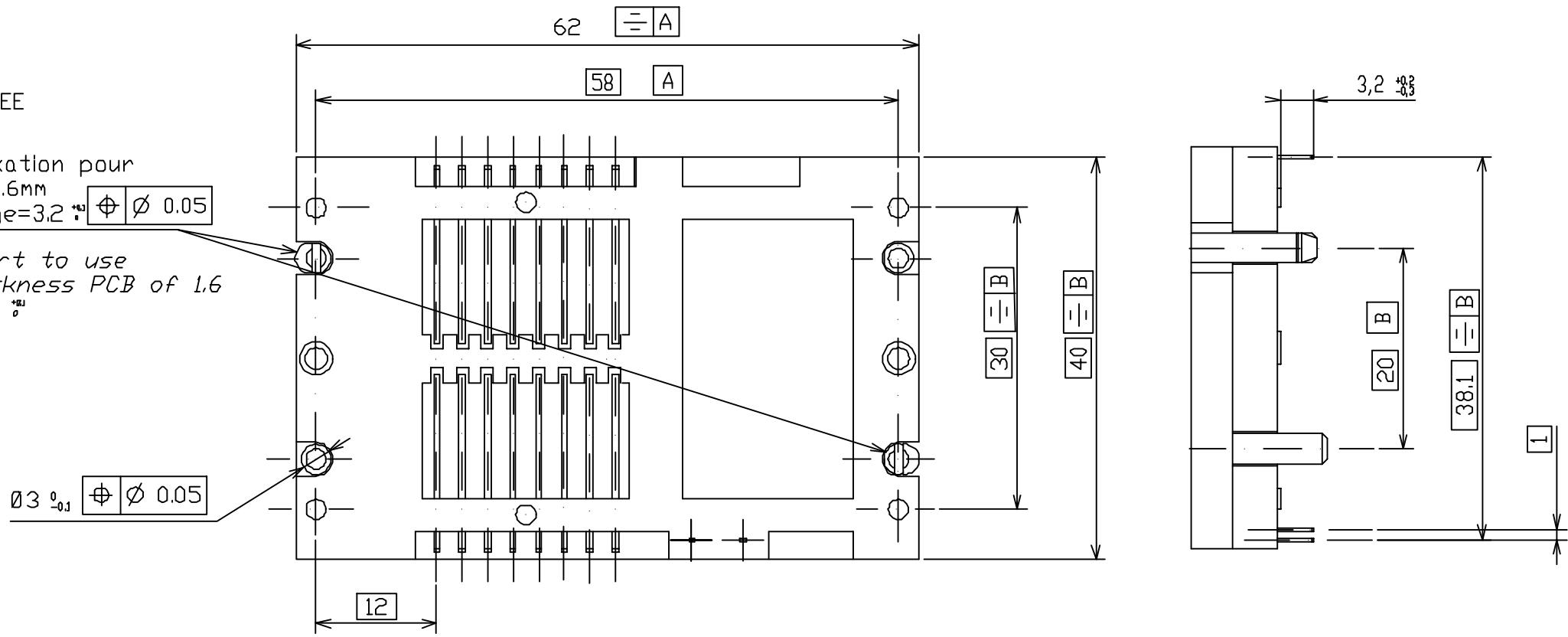


All rights strictly reserved. Reproduction or issue to third parties
 in any form or by any means not permitted without written authority from the
 proprietor.
 Property of FCI Besencon S. A.
 Copyright FCI Besencon S. A.

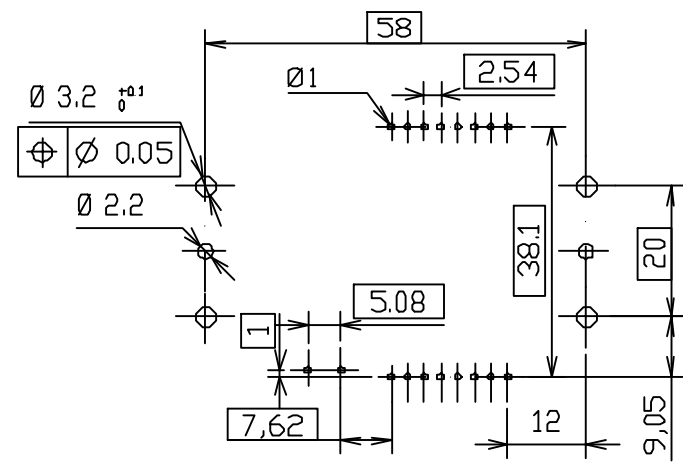
CATALOGUE NUMBER
7434L0435S01

CATALOGUE NUMBER
7434L0435S01LF → LEAD FREE

Clips de fixation pour
circuit ep1.6mm
Ø de perçage=3.2^{+0.1} $\phi \ 0.05$
 Crimping part to use
with a thickness PCB of 1.6
holes Ø=3.2^{+0.1}



IMPLANTATION C.I
PCB FOOTPRINT



NOTES:

- * Contacts : copper alloy
- * Plating : gold over nickel
- * Solder tails : SnPb(60/40)bare edge allowed
for lead free : matte tin instead of SnPb
- * Housing : thermoplastic UL94V0

Tol.Gen: 0mm a 10mm ±0.1mm
 10 a 30mm ±0.15mm
 30 a 60mm ±0.2mm
 60mm et plus ±0.3mm

"This product meets European Union Directives and other country regulations as described in GS-22-008"

The housing will withstand exposure to 260°C peak temperature for 10 seconds in a wave solder application with a 1.6mm minimum thick circuit board.

EUROPEAN PROJECTION

mat'l. code				tolerances unless otherwise specified		CUSTOMER COPY	ELECTRONICS www.fciconnect.com	
ltr	ecn no	dr	date	linear	angles	projection	title	
A	F20307	DLE	02.04.29				L04	
B	I05-0071	NT	05.05.26				VXX 27596	
				dr	D LEGRAND		02.04.29	product familySMART CARD code
				eng	F TISSERAND	02.04.29	size	
				chr	N.TWENCY	05.05.26	dwg no	
				app	N.TWENCY	05.05.26	213	
sheet index		revision sheet				scale		sheet
						A3 VJW 12038		1 of 1