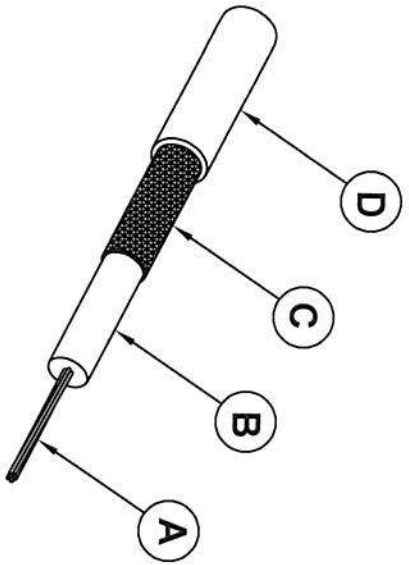


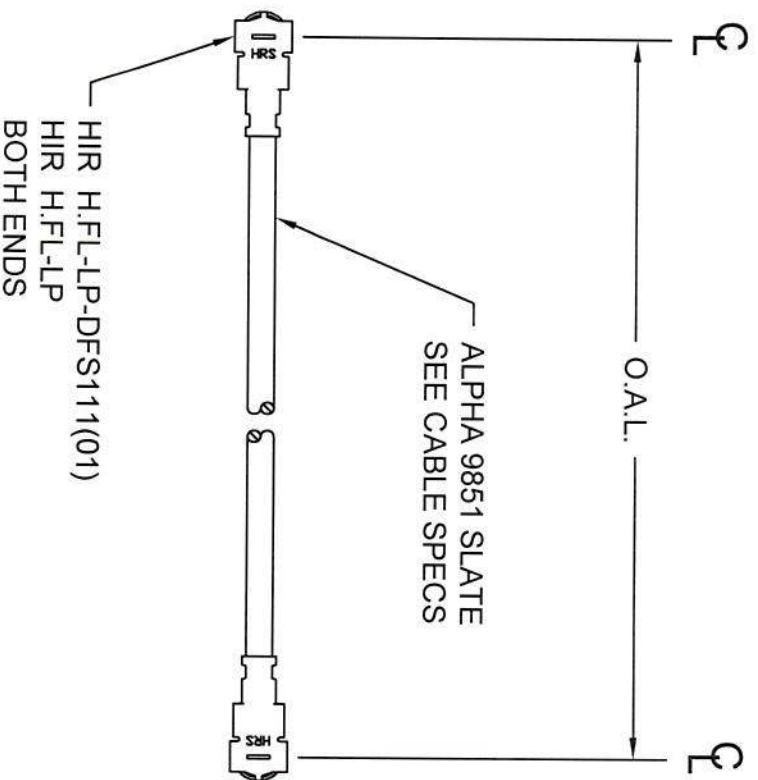
ALPHA 9851 COAXIAL CABLE SPECS



- CONSTRUCTION**
- A. CONDUCTOR: AWG 30 (7/38) SILVER PLATED COPPER CLAD STEEL, 0.012" NOMINAL
 - B. DIELECTRIC: FEP, .033" NOMINAL DIA.
 - C. SHIELD: AWG 40(1) SPC BRAIDED SHIELD
 - D. JACKET: SLATE FEP, 0.006" THICK, 0.058" +/- .003"

- REQUIREMENTS**
1. IMPEDANCE: 50 +/- 2 OHMS
 2. CAPACITANCE: 30 PF / FT NOM
 3. VELOCITY OF PROPAGATION: 69% OF AIR NOM
 4. ATTENUATION: 29dB/100FT NOM @ 400MHZ
49dB/100FT (EST.) @ 1GHZ
 5. DIELECTRIC BREAKDOWN: 1,000 VOLTS

REVISIONS			
REV	DESCRIPTION	DATE	APRV



KSM Electronics Inc. 6630 N.W. 16TH Terrace
Ft. Lauderdale, FL 33309

DRAWN BY: **JOSHUA SALCEDO**
APPROVED BY: **CHARLIE MURPHY**

TITLE: **DOUBLE ENDED H.F.L CABLE ASSEMBLY**

NOTE: THIS DRAWING INCORPORATES THIRD ANGLE PROJECTION

SIZE: A	CAGE CODE: 67013	DRAWING NUMBER: KSM-2898-REV-
SCALE: NONE	WEIGHT:	SHEET 1 OF 1

CONFIDENTIAL

THIS DRAWING AND THE SPECIFICATIONS CONTAINED HEREIN ARE THE PROPERTY OF KSM ELECTRONICS INC. AND MAY NOT BE REPRODUCED OR USED IN WHOLE OR IN PART AS THE BASIS FOR MANUFACTURE OR SALE OF PRODUCTS WITHOUT WRITTEN PERMISSION OF KSM ELECTRONICS INC.

