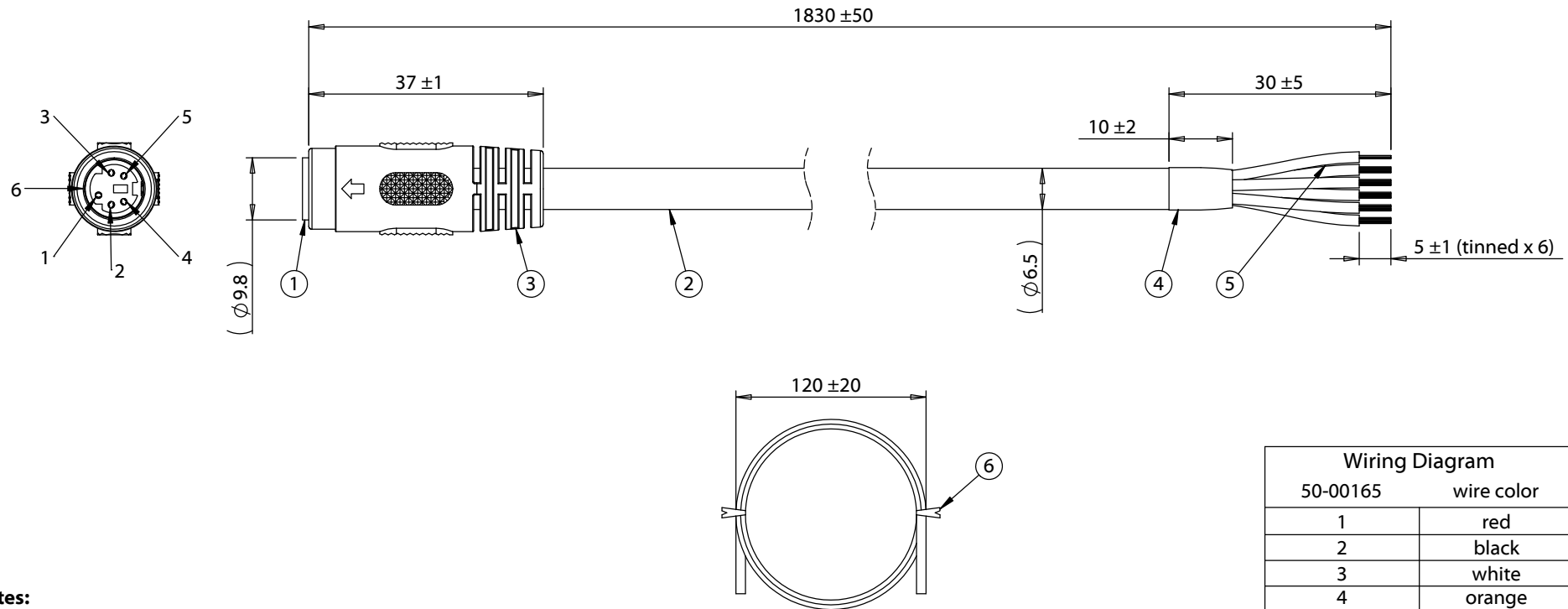


ITEM NO.	PART NUMBER	DESCRIPTION	QTY.	COMPONENT NOTES
1	50-00165	Connector, 5P mini DIN female, molding style, brass, nickel plating	1	
2	30-00025	Wire, 5C, 20 AWG, UL2464, 300 V, 80 C, 6.5 mm, shielded, VW-1, PVC, 79A	1	
3	24-00070	Overmold, jack, mini-DIN	1	black
4	Heat Shrink	Heat shrink tube, Ø 7.0, 105° C, L=10 ±2 mm	1	black
5	Heat Shrink	Heat shrink tube, Ø 1.0, 105° C, L=30 ±5 mm	1 </td <td>black, covers drain wire</td>	black, covers drain wire
6	Tie	Twist tie	2	black



Notes:
Functionally equivalent components may be substituted

Electrical requirement: 2 A, 12 Vdc

Revision:	Date:	Description:	Prepared:	Notes:	TENSILITY	
A	3/09/2011	Initial release	GL <small>Digitally signed by GL Date: 2017.06.08 11:24:14 -07'00'</small>	RoHS and REACH compliant	tel 1.541.323.3228 800 877.670.7118 fax 1.541.323.4202 web tensility.com	
A1	6/07/2017	Corrected DIN pin numbering	AW <small>Digitally signed by AW Date: 2020.09.21 11:27:22 -07'00'</small>	Function test: no open, no short circuit, no intermittent	Size: A	Part number: 10-00428
			Dimensions are in millimeters. Tolerances: X: ± 0.5 mm X.X: ± 0.3 mm X.XX: ± 0.05 mm	Description: Cable, 1830 mm, 5P mini-DIN female 50-00165, to stripped tinned, 20 AWG, UL2464 30-00025, shielded	Scale: 1:1	Sheet 1 of 1