

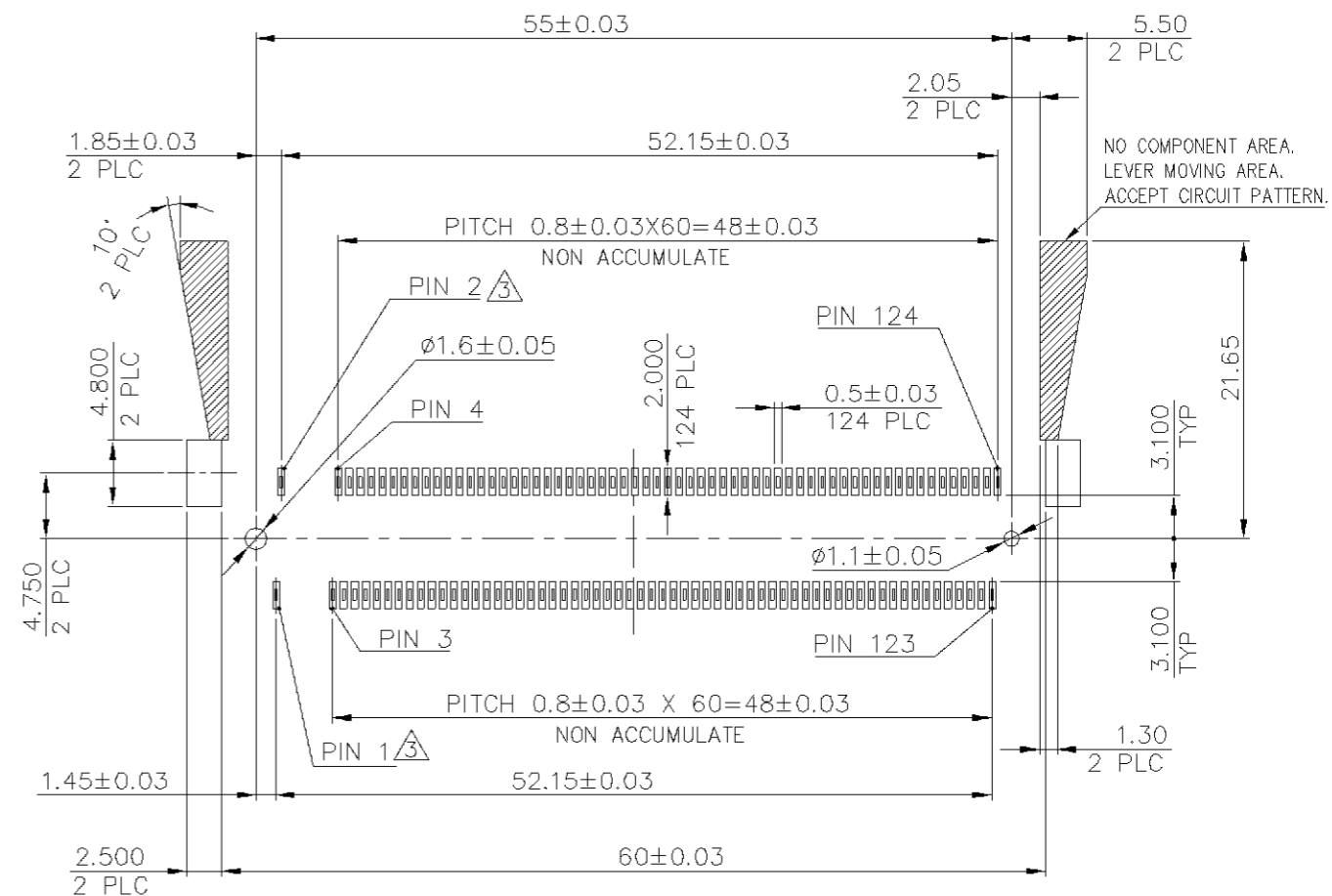
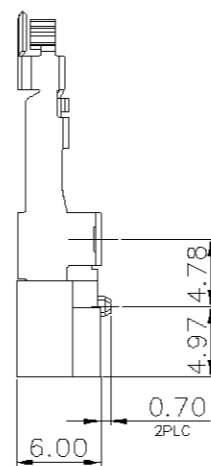
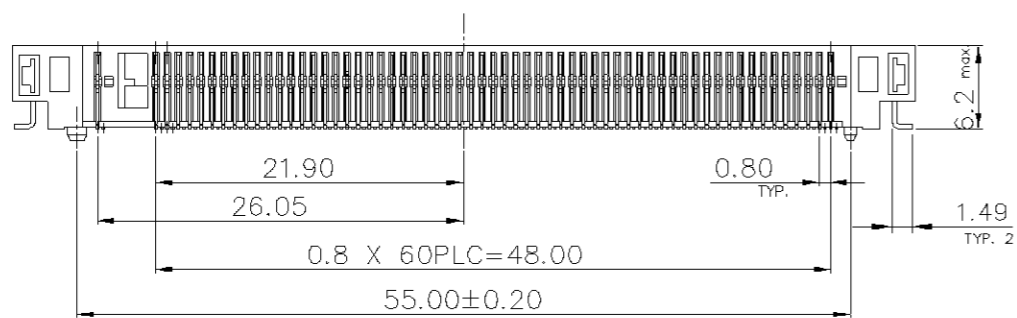
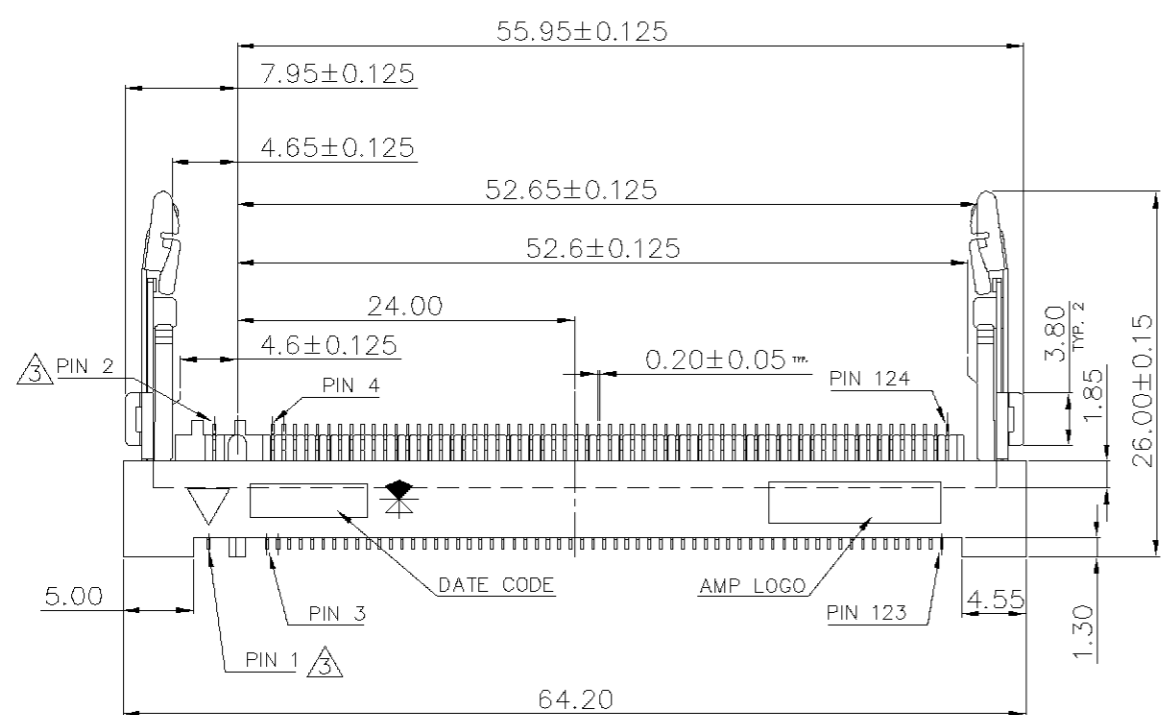
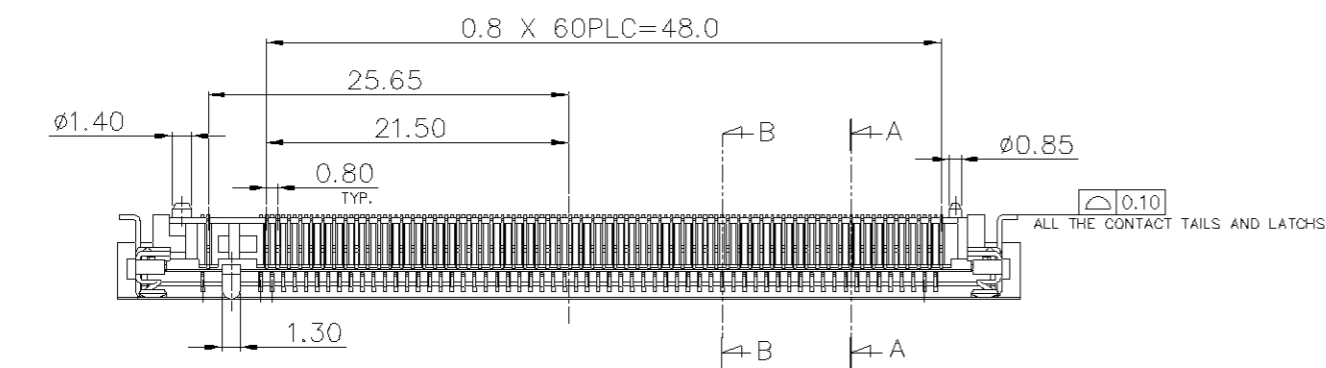
NUMBER  
C-1734027

3RD ANGLE PROJECTION

METRIC

THIS INFORMATION IS CONFIDENTIAL AND IS DISCLOSED TO YOU ON CONDITION THAT NO FURTHER DISCLOSURE IS MADE BY YOU TO OTHER THAN AMP PERSONNEL WITHOUT WRITTEN AUTHORIZATION FROM AMP (TAIWAN) LTD. DIMENSIONS IN MILLIMETERS. DO NOT SCALE PRINT.

PRINT DIST DW



RECOMMENDED P.C.B. PATTERN LAYOUT  
(CONNECTOR MOUNTING SIDE)

NOTE:

- MATERIAL:  
HOUSING: HIGH TEMP. THERMOPLASTIC 30% GF, UL 94V-0, COLOR: BLACK.  
CONTACTS: PHOSPHOR BRONZE.  
LATCHES: STAINLESS STEEL.
- FINISH:  
CONTACTS: 5μ" MIN. GOLD PLATED IN CONTACT AREA, 50μ" MIN. NICKEL UNDERPLATED ALL OVER, 100μ" MIN. TIN(MATTE) OVER 50μ" MIN. NICKEL ON SOLDER TAIL.  
LATCHES: 80μ"~240μ" TIN(MATTE) OVER 50μ" MIN. NICKEL UNDERPLATING.

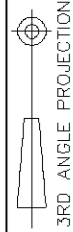
⚠ LACK OF PIN NO. 1 & 2

⚠ TAPE REEL	1-1734027-3
TAPE REEL	1734027-3
HARD TRAY	1734027-1
PACKAGE TYPE	PART NUMBER

TOLERANCES UNLESS OTHERWISE SPECIFIED: 0 PLC ± 0.25 1 PLC ± 0.15 2 PLC ± 0.1 3 PLC ± 0.05 ANGLES ± 2'	DWN S. HOU 03-SEP-2004	<b>tyco</b> TYCO HOLDINGS (BERMUDA) <b>Electronics</b> VII LTD. TAIWAN BRANCH NAME
MATERIAL SEE NOTE	CHK W.J. KE 03-SEP-2004	
FINISH SEE NOTE	APVD W.J. KE 03-SEP-2004	0.8 PITCH MINI PCI SOCKET, 6.0 HEIGHT, 124 POSITION
	PRODUCT SPEC 108-57437	LOC DW A <sub>3</sub> C-1734027 REV B
	APPLICATION SPEC -	SCALE -- SHEET 1 OF 6
	WEIGHT 5.1 GRAM	

B	ADD P/N:1-3	FZ00-0205-04	SH WK	03SEP 2004
A	ADD P/N:-3	FZ00-0178-04	SH WK	13AUG 2004
O	FIRST RELEASED	FZ00-0250-03	JC JW	21OCT 2003
LTR	REVISION RECORD	ECN	DWN CHK	DATE

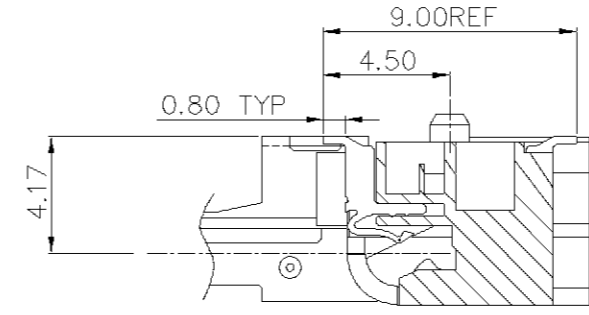
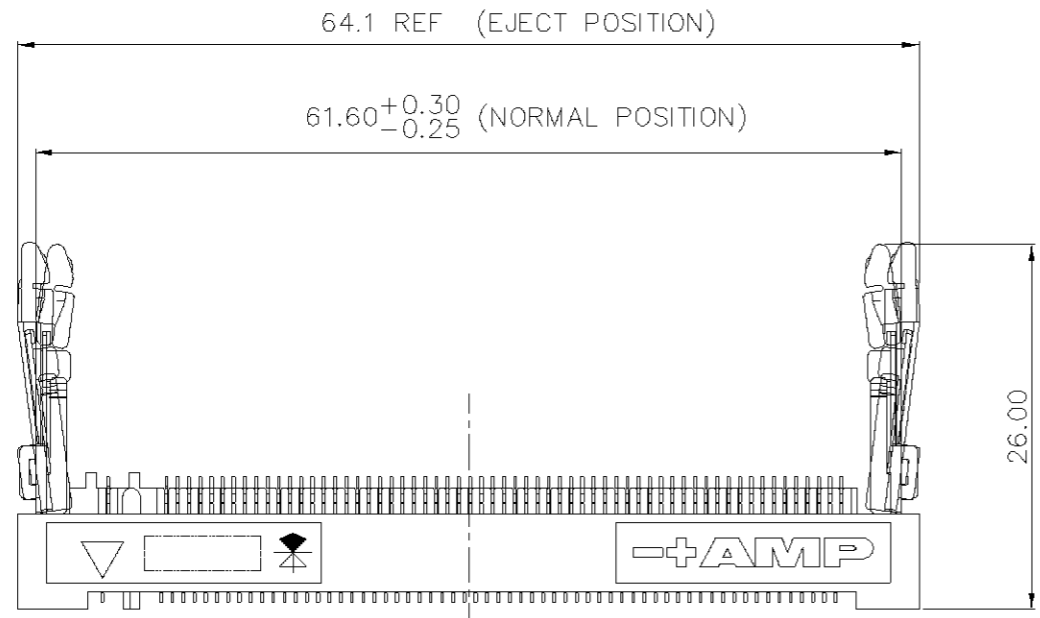
NUMBER  
C-1734027



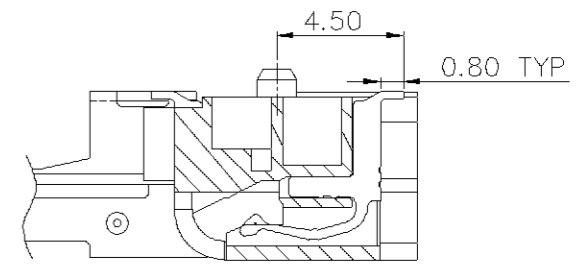
METRIC

THIS INFORMATION IS CONFIDENTIAL AND IS DISCLOSED TO YOU ON CONDITION THAT NO FURTHER DISCLOSURE IS MADE BY YOU TO OTHER THAN AMP PERSONNEL WITHOUT WRITTEN AUTHORIZATION FROM AMP (TAIWAN) LTD. DIMENSIONS IN MILLIMETERS. DO NOT SCALE PRINT.

PRINT DIST  
DW



SEC A-A  
SCALE 2:1



SEC B-B  
SCALE 2:1

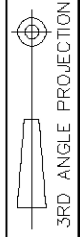
SEE SHEET 1.	ECN	DWN	CHK	DATE
LTR	REVISION RECORD			

TOLERANCES UNLESS OTHERWISE SPECIFIED: 0 PLC ± 0.25 1 PLC ± 0.15 2 PLC ± 0.1 3 PLC ± 0.05 ANGLES ± 2'	DWN	S. HOU	<b>tyco</b> TYCO HOLDINGS (BERMUDA) <b>Electronics</b> VII LTD. TAIWAN BRANCH			
	CHK	W.J. KE				
MATERIAL	APVD	W.J. KE	NAME 0.8 PITCH MINI PCI SOCKET, 6.0 HEIGHT, 124 POSITION			
-	PRODUCT SPEC	03-SEP-2004				
FINISH	APPLICATION SPEC		LOC	SIZE	DRAWING NO	REV
-	WEIGHT		DW	A <sub>3</sub>	C-1734027	B
			SCALE	SHEET		
			--	2 OF 6		

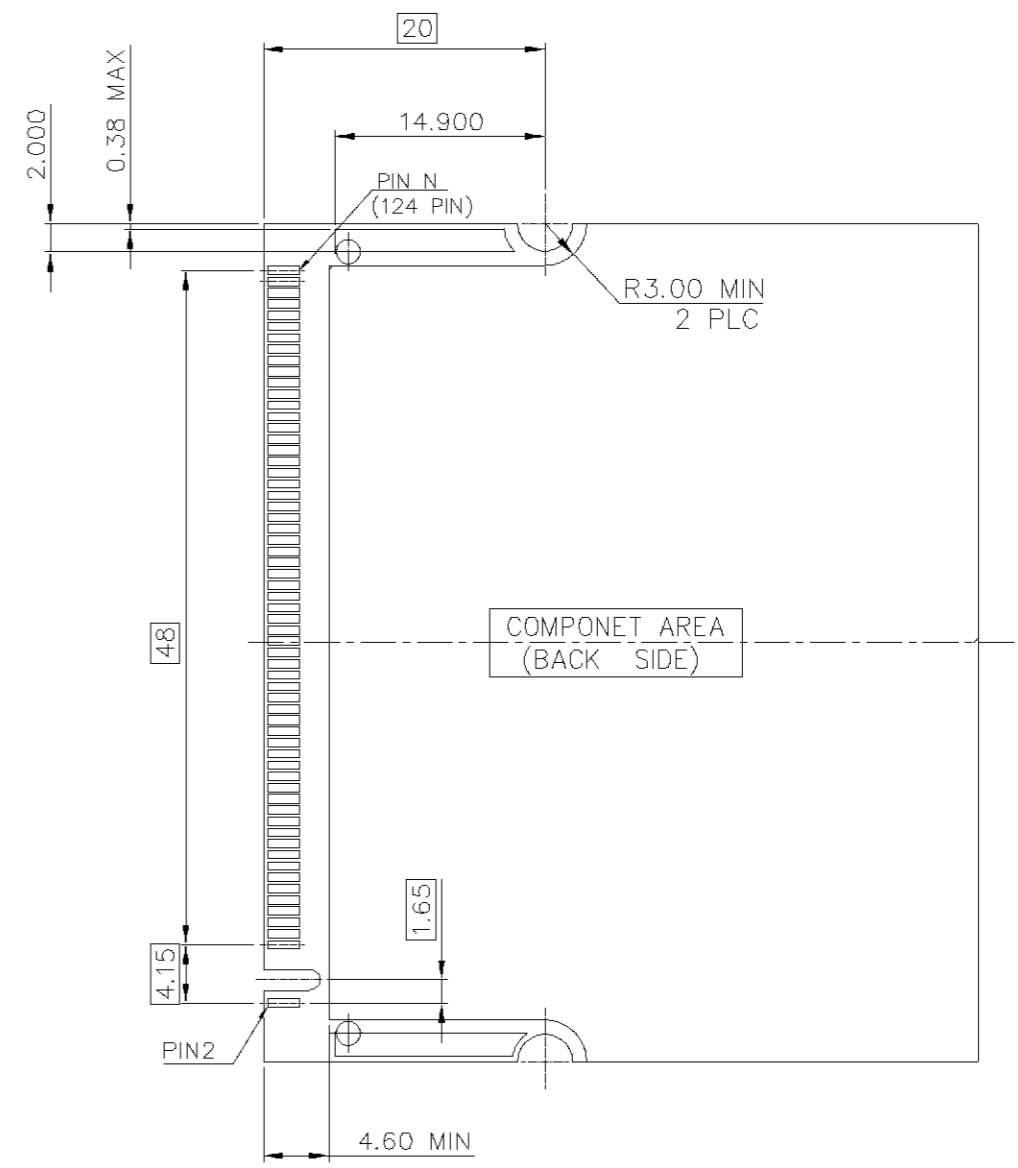
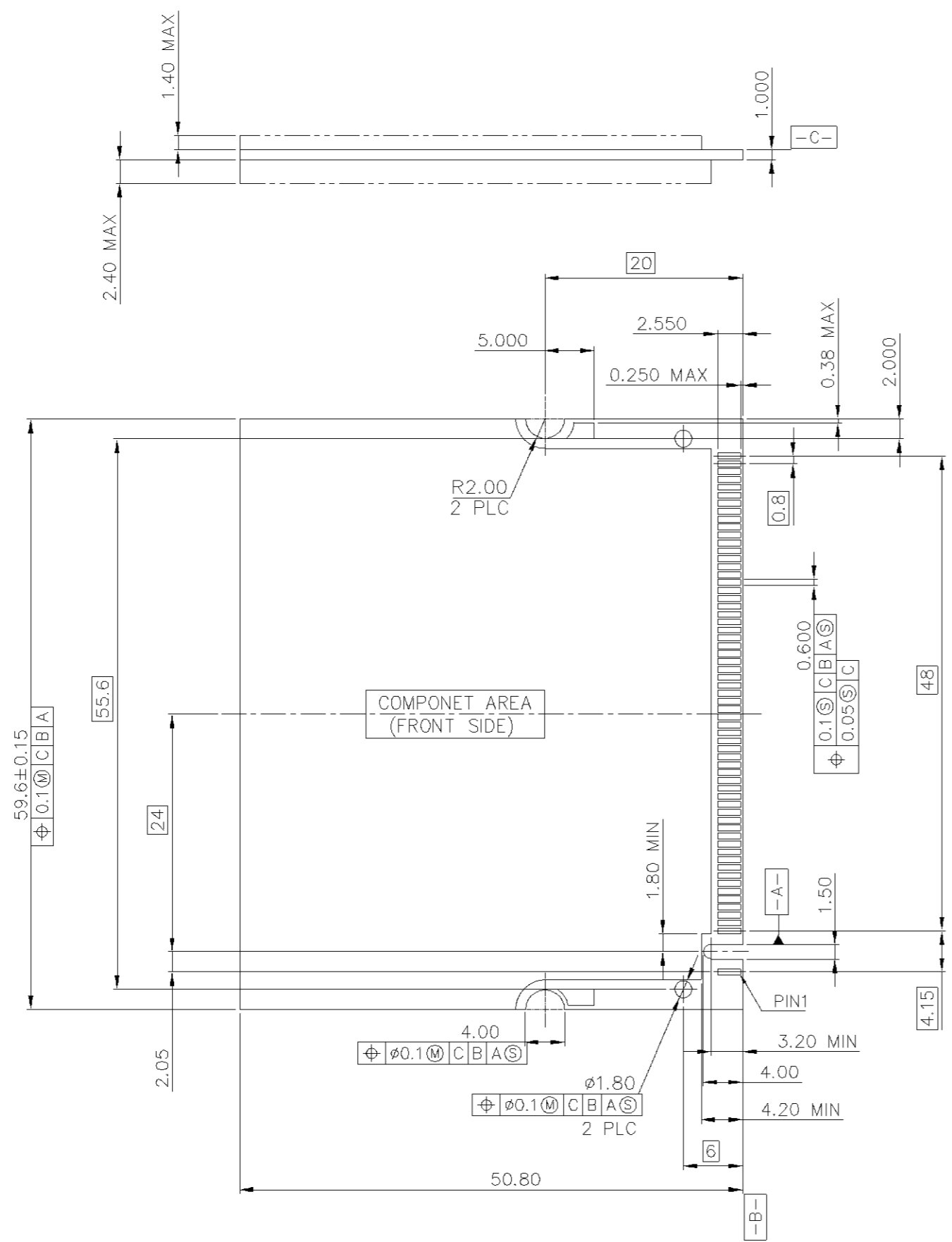
THIS INFORMATION IS CONFIDENTIAL AND IS DISCLOSED TO YOU ON CONDITION THAT NO FURTHER DISCLOSURE IS MADE BY YOU TO OTHER THAN AMP PERSONNEL WITHOUT WRITTEN AUTHORIZATION FROM AMP (TAIWAN) LTD. DIMENSIONS IN MILLIMETERS. DO NOT SCALE PRINT.

PRINT DIST  
DW

METRIC



NUMBER  
C-1734027



TOLERANCES UNLESS OTHERWISE SPECIFIED: 0 PLC ± 0.25 1 PLC ± 0.15 2 PLC ± 0.1 3 PLC ± 0.05 ANGLES ± 2'		DWN S. HOU 03-SEP-2004	TYCO HOLDINGS (BERMUDA) VII LTD. TAIWAN BRANCH NAME
MATERIAL -		CHK W.J. KE 03-SEP-2004	
FINISH -		APVD W.J. KE 03-SEP-2004	LOC DW
LTR REVISION RECORD		PRODUCT SPEC	SIZE A <sub>3</sub>
ECN		APPLICATION SPEC	DRAWING NO C-1734027
DWN CHK DATE		WEIGHT	REV B
		SCALE --	SHEET 3 OF 6

SEE SHEET 1.			
REVISION RECORD	ECN	DWN CHK	DATE

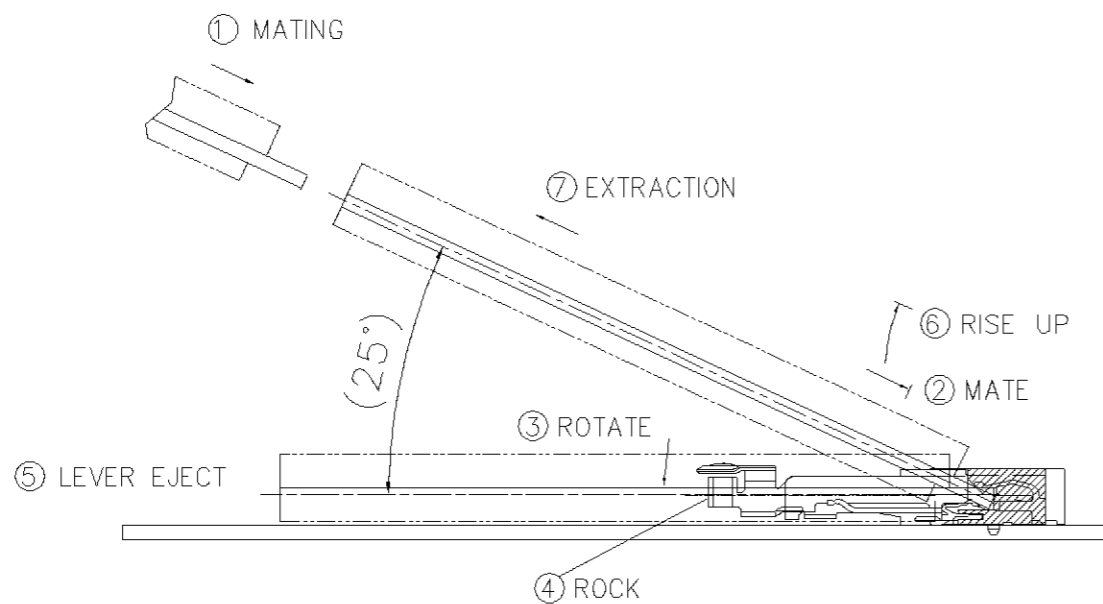
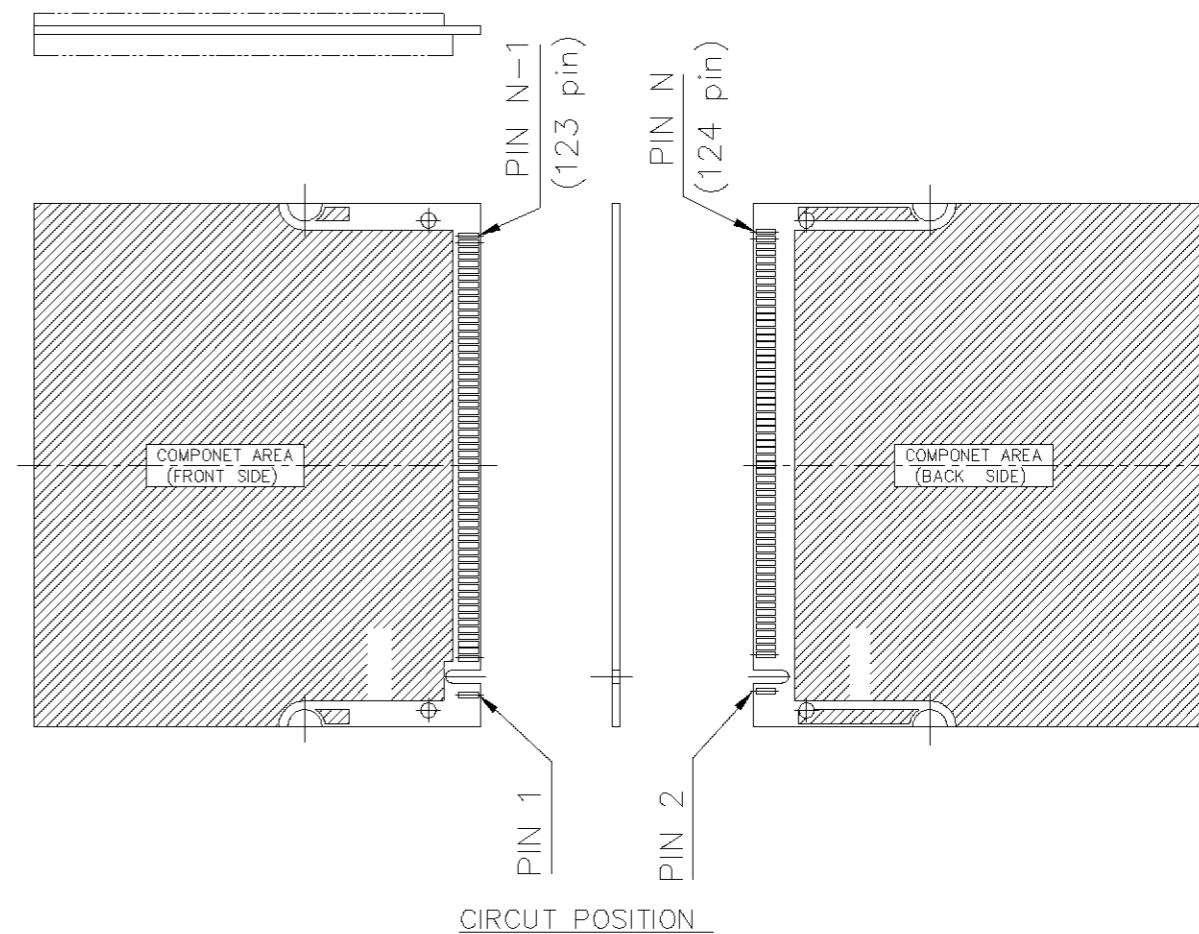
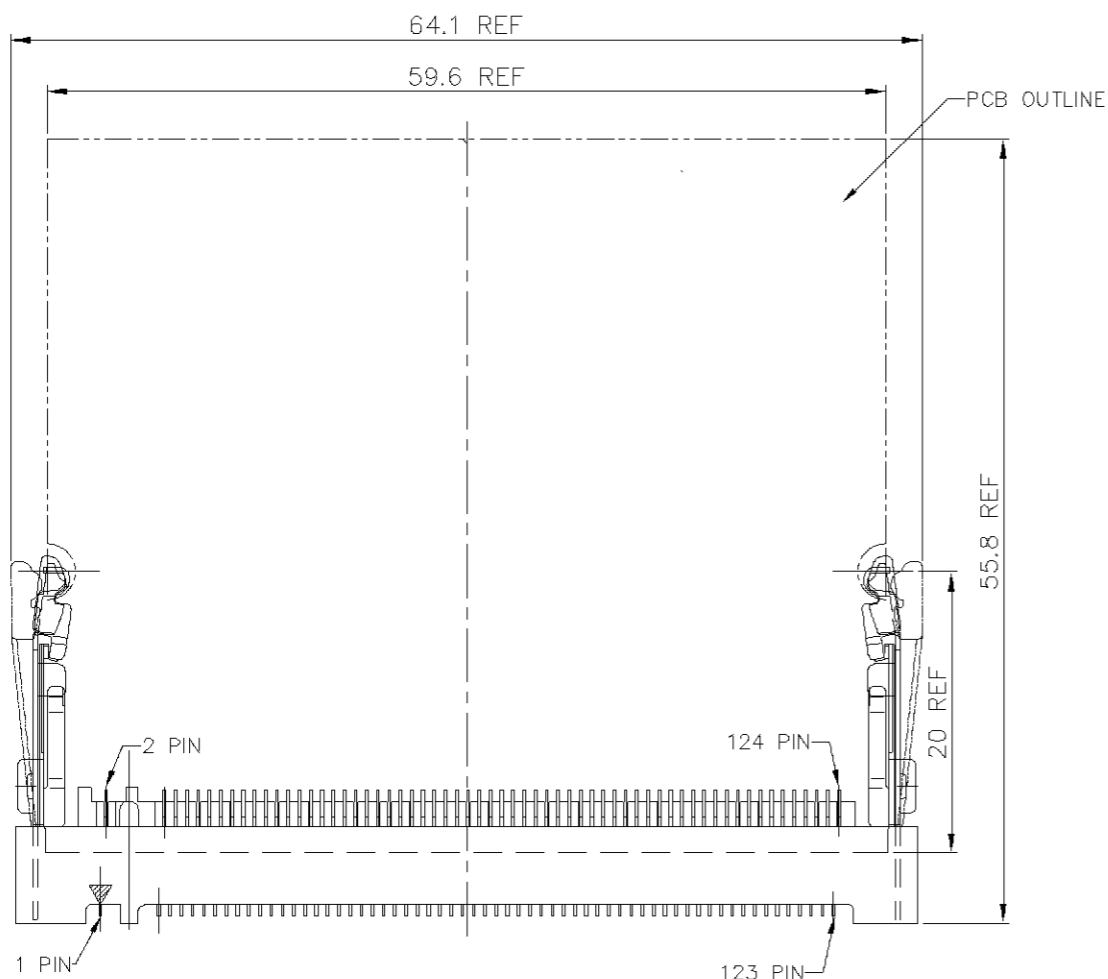
NUMBER  
C-1734027

METRIC  
3RD ANGLE PROJECTION

METRIC

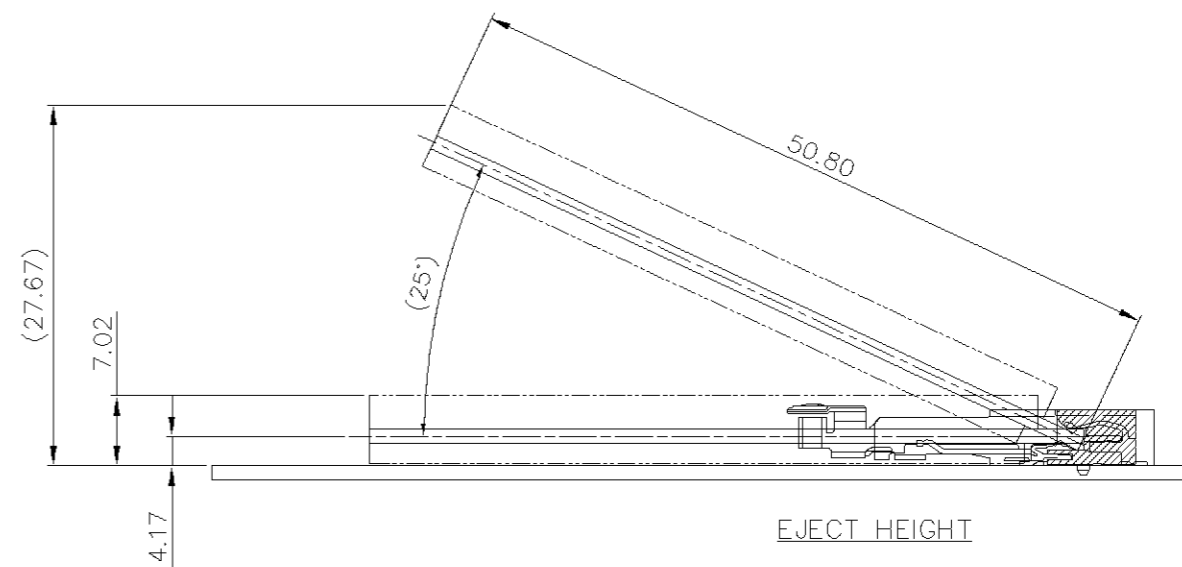
THIS INFORMATION IS CONFIDENTIAL AND IS DISCLOSED TO YOU ON CONDITION THAT NO FURTHER DISCLOSURE IS MADE BY YOU TO OTHER THAN AMP PERSONNEL WITHOUT WRITTEN AUTHORIZATION FROM AMP (TAIWAN) LTD. DIMENSIONS IN MILLIMETERS. DO NOT SCALE PRINT.

PRINT DIST  
DW



HOW TO MATE AND UNMATE

MATE: ① ~ ④  
UNMATE: ⑤ ~ ⑦



EJECT HEIGHT

TOLERANCES UNLESS OTHERWISE SPECIFIED: 0 PLC ±0.25 1 PLC ±0.15 2 PLC ±0.1 3 PLC ±0.05 ANGLES ±2'		DWN S. HOU 03-SEP-2004	<b>tyco</b> TYCO HOLDINGS (BERMUDA) <b>Electronics</b> VII LTD. TAIWAN BRANCH NAME
MATERIAL -		CHK W.J. KE 03-SEP-2004	
FINISH -		APVD W.J. KE 03-SEP-2004	0.8 PITCH MINI PCI SOCKET, 6.0 HEIGHT, 124 POSITION
		PRODUCT SPEC	LOC SIZE DRAWING NO REV DW A <sub>3</sub> C-1734027 B
		APPLICATION SPEC	SCALE SHEET -- 4 OF 6
		WEIGHT	

SEE SHEET 1.			
LTR	REVISION RECORD	ECN	DWN CHK DATE

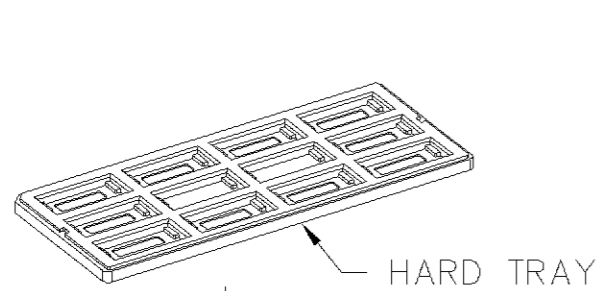
NUMBER  
C-1734027

3RD ANGLE PROJECTION

METRIC

THIS INFORMATION IS CONFIDENTIAL AND IS DISCLOSED TO YOU ON CONDITION THAT NO FURTHER DISCLOSURE IS MADE BY YOU TO OTHER THAN AMP PERSONNEL WITHOUT WRITTEN AUTHORIZATION FROM AMP (TAIWAN) LTD. DIMENSIONS IN MILLIMETERS. DO NOT SCALE PRINT.

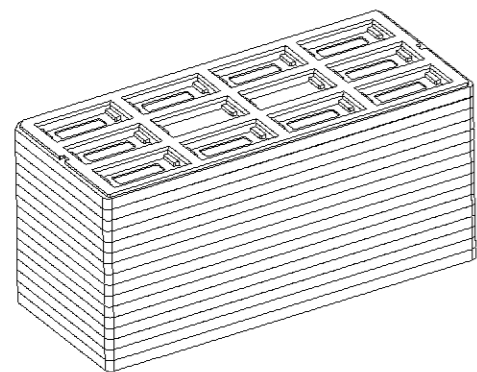
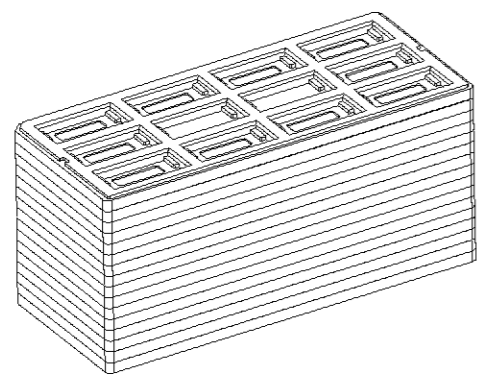
PRINT DIST  
DW



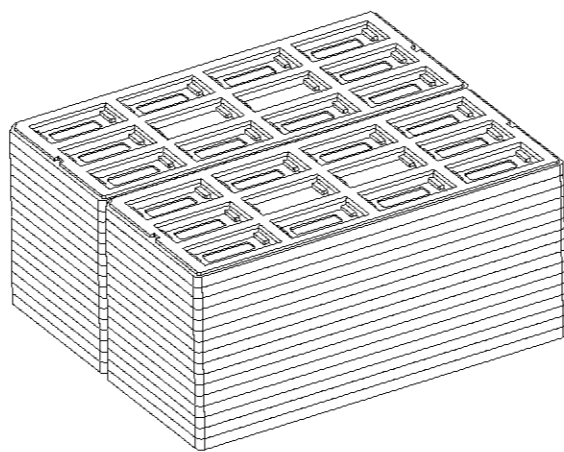
HARD TRAY



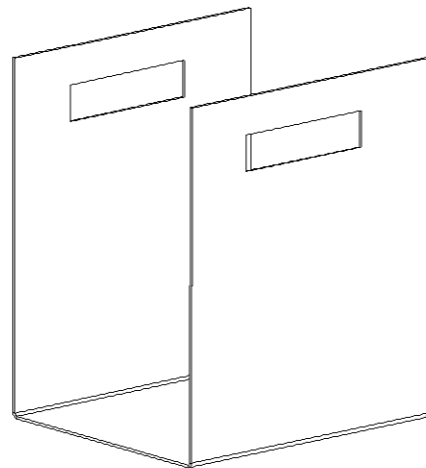
12PCS/HARDTRAY



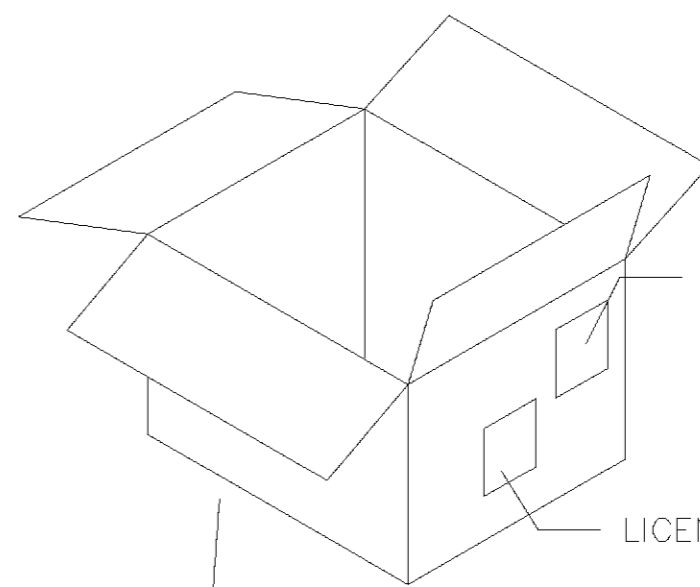
26 LAYERS HARDTRAY  
THE TOP HARDTRAY IS EMPTY



CARTON  
52PCS HARDTRAY/CARTON

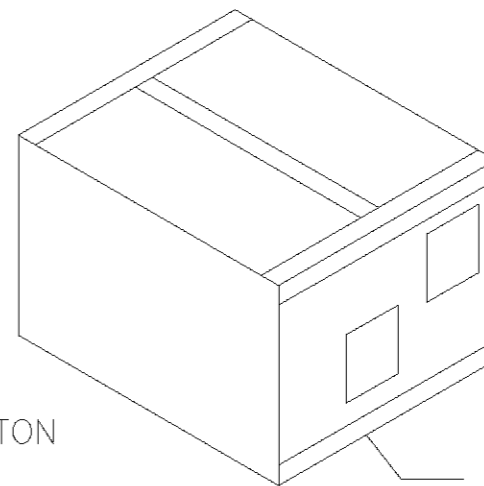


PAPER BOARD 1PCS/CARTON



LABEL

LICENCE TAG



TRANSPARENT SEAL TAPE

8.8KG/CARTON	350X305X294	600 PCS
GROSS WEIGHT	CARTON SIZE	QT'Y/CARTON

TOLERANCES UNLESS OTHERWISE SPECIFIED: 0 PLC ± 1 PLC ± 2 PLC ± 3 PLC ± ANGLES ±	DWN	S. HOU	<b>tyco</b> <b>Electronics</b>	TYCO HOLDINGS (BERMUDA) VII LTD. TAIWAN BRANCH		
	CHK	W.J. KE				
MATERIAL -	APVD	W.J. KE	0.8 PITCH MINI PCI SOCKET, 6.0 HEIGHT, 124 POSITION.			
	PRODUCT SPEC	03-SEP-2004				
FINISH -	APPLICATION SPEC	-	LOC	SIZE	DRAWING NO	REV
	WEIGHT	-	DW	A <sub>3</sub>	C-1734027	B
			SCALE	SHEET		
			--		5 OF 6	

SEE SHEET 1.	ECN	DWN	CHK	DATE
LTR	REVISION RECORD			

CUSTOMER DRAWING

8

7

6

5

4

3

2

1

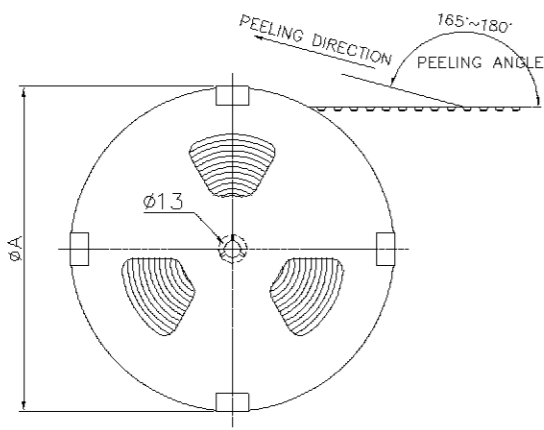
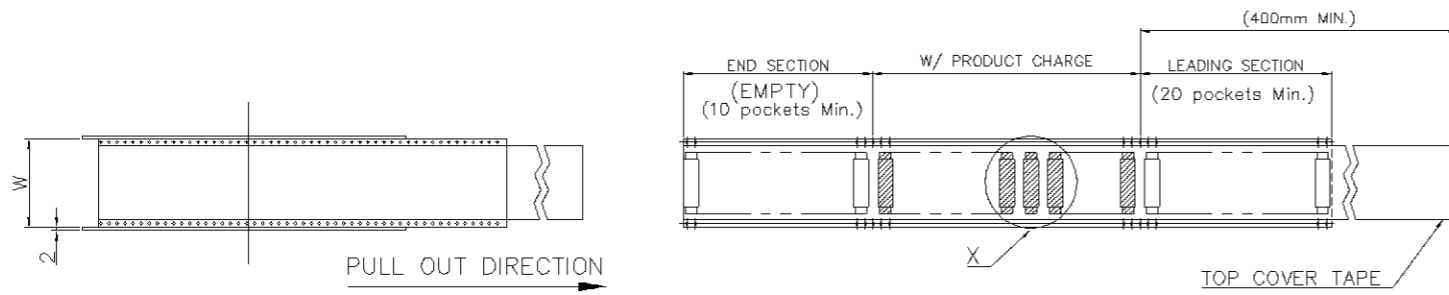
NUMBER  
C-1470459

3RD ANGLE PROJECTION

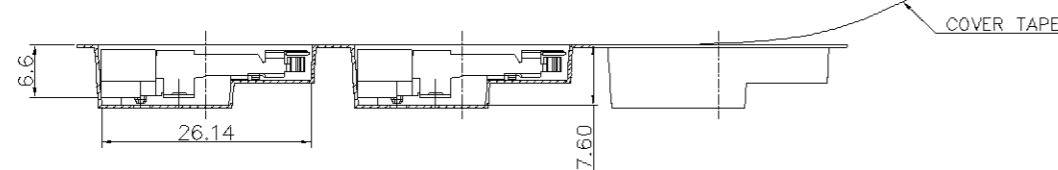
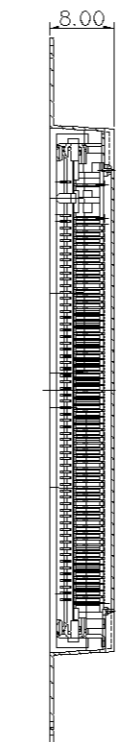
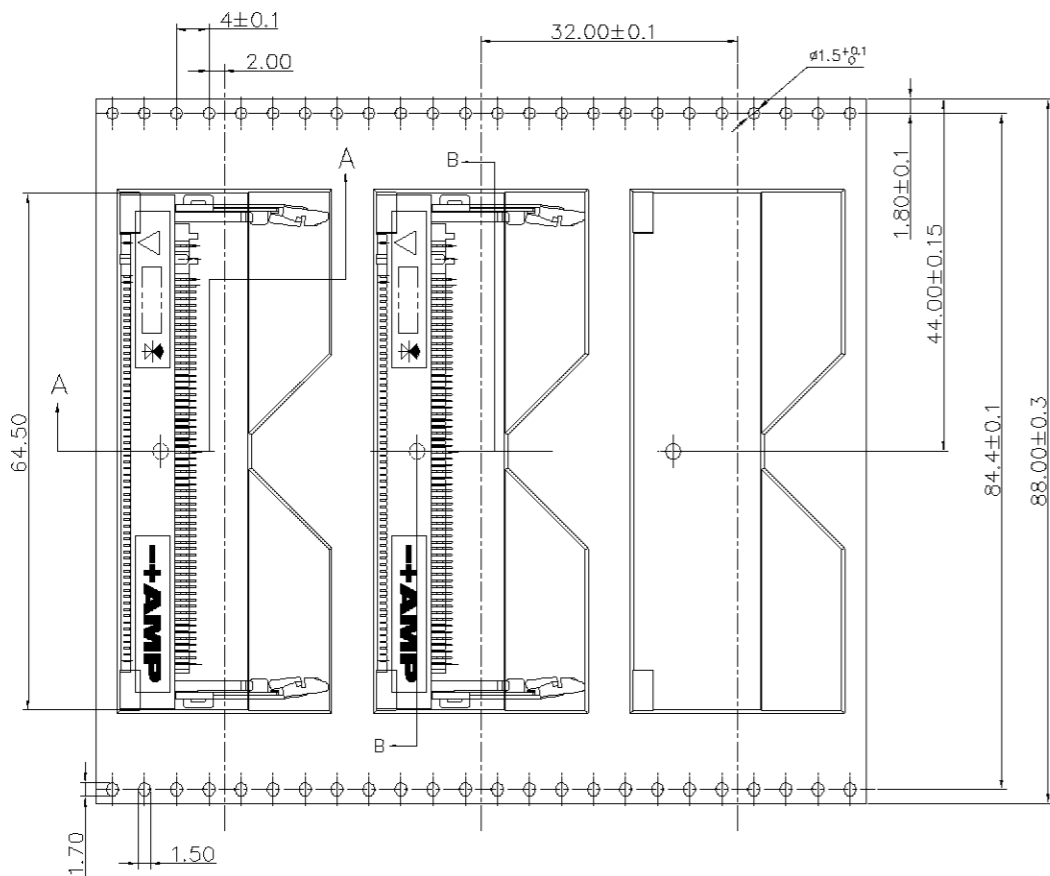
METRIC

THIS INFORMATION IS CONFIDENTIAL AND IS DISCLOSED TO YOU ON CONDITION THAT NO FURTHER DISCLOSURE IS MADE BY YOU TO OTHER THAN AMP PERSONNEL WITHOUT WRITTEN AUTHORIZATION FROM AMP (TAIWAN) LTD. DIMENSIONS IN MILLIMETERS. DO NOT SCALE PRINT.

PRINT DIST  
DW

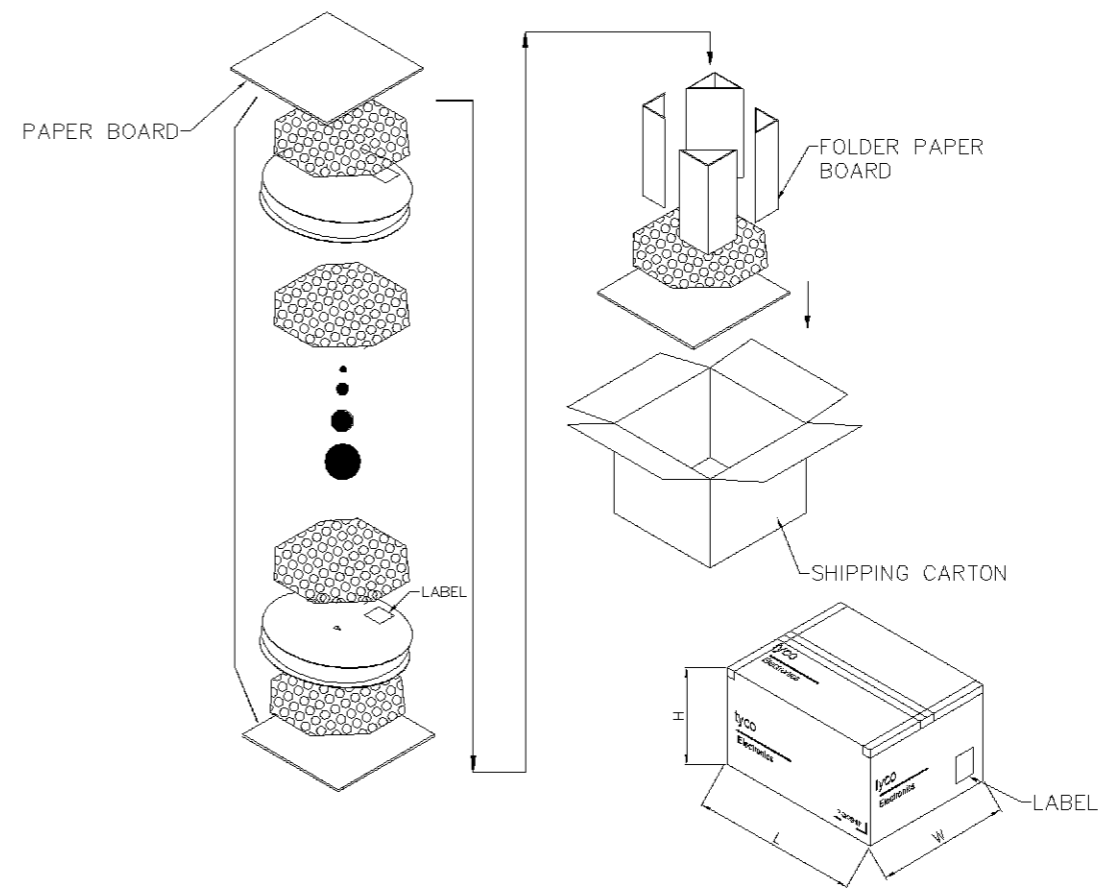


- NOTES:
- MATERIAL :
    - EMBOSSED CARRIER: PS
    - COVER TAPE: PS
    - SHIPPING CARTON: CORRUGATED FIBER
  - DIMENSION :
    - REEL: W=89.4,  $\phi A=330$
    - SHIPPING CARTON: L=335, W=335, H=345
  - QUANTITY :
    - PRIMARY PACKING: 200PCS/REEL
    - SECONDARY PACKING: 3 REELS/CARTON(600PCS)
  - WEIGHT :
    - NET WEIGHT: 1.02Kg/REEL, 3.06Kg/CARTON.
    - GROSS WEIGHT: 1.51Kg/REEL, 5.98Kg/CARTON.
  - PEELING RESISTANCE: 0.1~0.7N(10.2gf~71.4gf).
  - PEELING SPEED: 300mm/minutes.



SECTION A-A

SECTION B-B



TOLERANCES UNLESS OTHERWISE SPECIFIED:		DWN	S. HOU	<b>tyco</b> TYCO HOLDINGS (BERMUDA)	
0 PLC ±		03-SEP-2004		Electronics VII LTD. TAIWAN BRANCH	
1 PLC ± 0.15		CHK	W.J. KE	NAME	
2 PLC ± 0.10		03-SEP-2004		0.8 PITCH MINI PCI SOCKET, 6.0 HEIGHT, 124 POSITION.	
3 PLC ± 0.05		APVD		LOC	
ANGLES ±2'		03-SEP-2004		SIZE	DRAWING NO
MATERIAL	-	PRODUCT SPEC		DW	A <sub>3</sub> C-1734027
FINISH	-	APPLICATION SPEC		SCALE	REV
WEIGHT		-		B	
				SHEET	
				6 OF 6	

SEE SHEET 1.	ECN	DWN	CHK	DATE
LTR	REVISION RECORD			