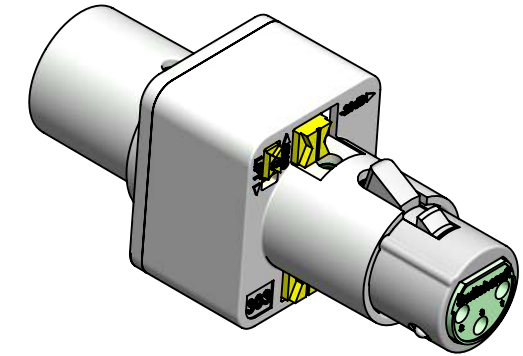
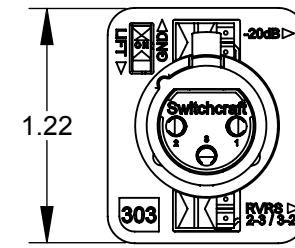
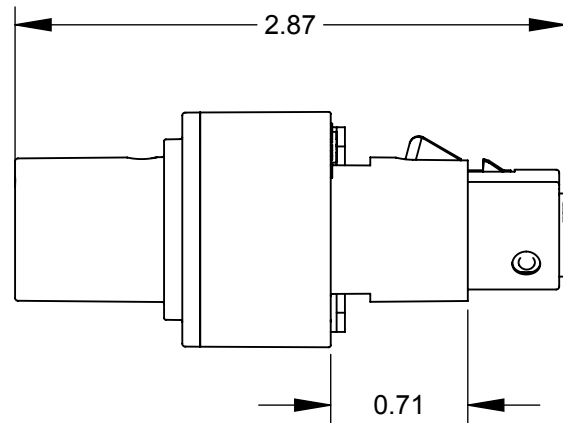
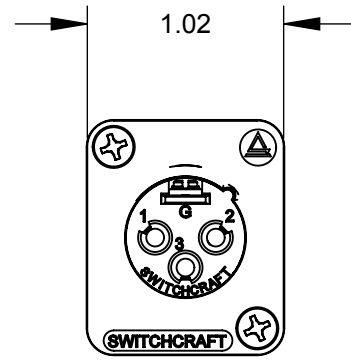


PACKAGED UNIT



SPECIFICATIONS:

HOUSING

- DIECAST ZINC ALLOY, NICKEL PLATED.

CONNECTORS

- INPUT: SWITCHCRAFT 3-PIN FEMALE CONNECTOR WITH LATCHING MECHANISM.
- OUTPUT: SWITCHCRAFT 3-PIN MALE CONNECTOR WITH LATCHING UNDERCUT.

FUNCTIONS

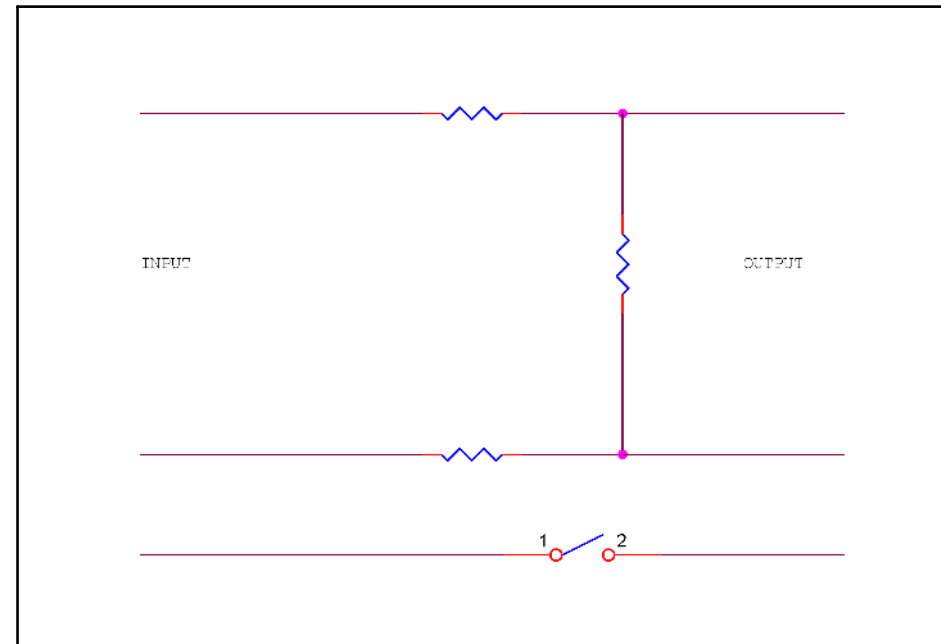
- -20dB PAD.
- POLARITY INVERSE.
- GROUND LIFT.

SWITCHES SPECIFICATIONS

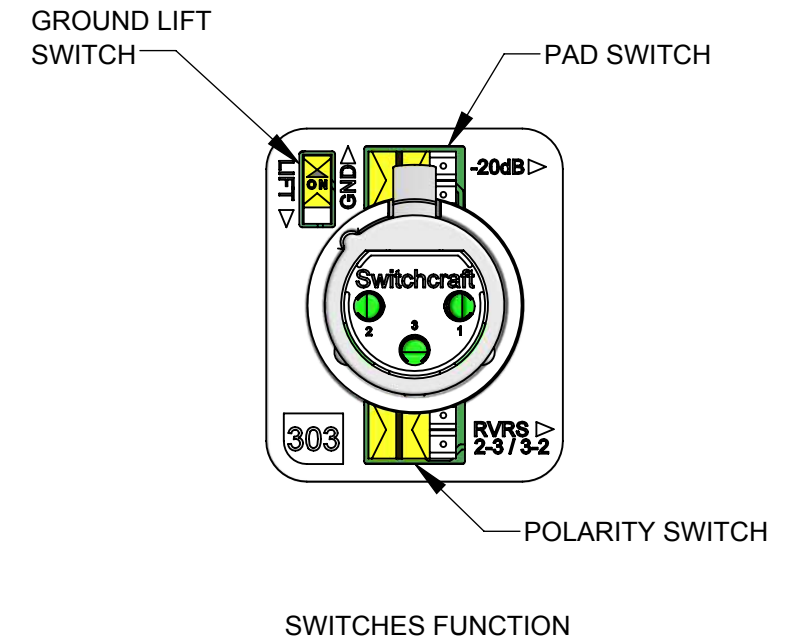
- SWITCHING RATING: 1A, 100V.
- PLATING: GOLD.
- NON-SHORTING BBM.

GENERAL SPECIFICATIONS

- PAD INPUT IMPEDANCE: 1657 OHM WITH 1K OHM LOAD.
- PAD OUTPUT IMPEDANCE: 167 OHM WITH 150 OHM SOURCE.
- PAD CMRR GREATER THAN 90dB AT 10KHz.
- PAD BALANCED LINE MAXIMUM IMPEDANCE MISMATCH: 0.2%.
- RoHS COMPLIANT.



CIRCUIT DIAGRAM
PAD: ON, REVERSE: OFF, GROUND: LIFT



SWITCHES FUNCTION

CUSTOMER DRAWING

| | | | | | | | | | | | |
|-----------|-------------|---------|----|------|--|---------|--------|------------|----------|--------------|--|
| | | | | | THIS DRAWING DESCRIBES A DESIGN CONSIDERED PROPRIETARY IN NATURE, DEVELOPED AND MANUFACTURED BY SWITCHCRAFT INC. AND IS RELEASED ON A CONFIDENTIAL BASIS FOR IDENTIFICATION PURPOSES ONLY. | | | | | | |
| | | | | | SIZE * | WIDTH * | MULT * | LBS/M * | TEMPER * | | |
| | | | | | FINISH * | | | MATERIAL * | | | |
| | | | | | SPEC No. * | | | SPEC No. * | | | |
| | | | | | FIRST USED ON * | | SCALE | | | | |
| 0A | PRELIMINARY | 6/20/17 | NS | SRC | DATE DRAWN | BY | CHKD | APVD | | | |
| REV | ECO NUMBER | DATE | BY | APVD | 6/20/17 | NS | NS | 6/20/17 | | | |
| REVISIONS | | | | | DO NOT SCALE DRAWING | | | | | SHEET 1 OF 1 | |
| | | | | | NAME | | | PART No. | | REV | |
| | | | | | 303 AUDIOFIX | | | 303 | | 0A | |