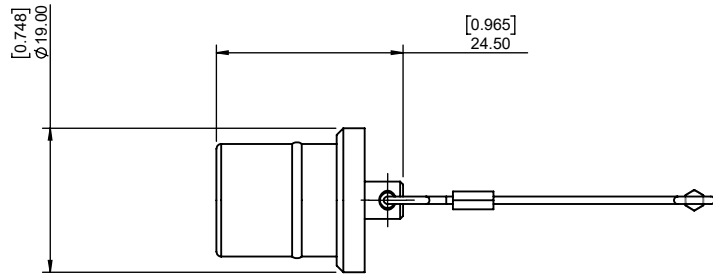


****NOTE: THIS DUST CAP FITS FEMALE 822K CONNECTORS**

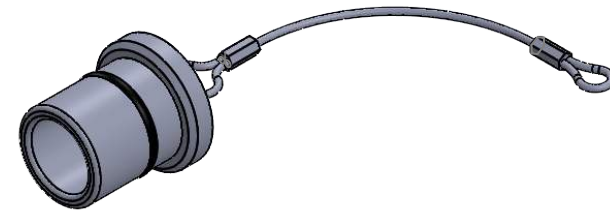
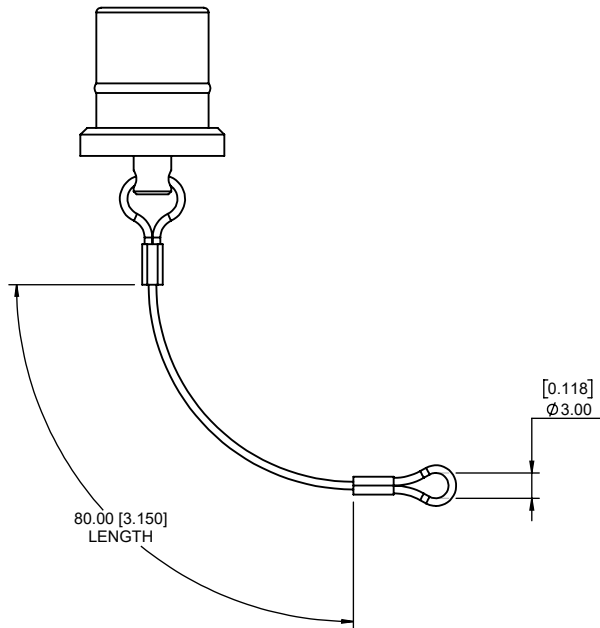


CHARACTERISSTICS

MATERIALS

- BODY: BRASS
- BODY PLATING: NICKEL
- LANYARD: STAINLESS STEEL
- O-RING: SILICONE RUBBER
- MAXIMUM OPERATING TEMPERATURE: 135°C

IP RATING: 67



RoHS COMPLIANT



THESE DRAWINGS AND SPECIFICATIONS ARE THE PROPERTY OF NorComp AND SHALL NOT BE REPRODUCED, COPIED OR USED AS THE BASIS FOR THE MANUFACTURE OR SALE OF APPARATUS WITHOUT WRITTEN PERMISSION.

NorComp

DRAWN: M. SIGMON	DATE: 04-06-15	SCALE: N.T.S.	SHEET 1 OF 1	REV: 0
			DWG NO. 822K-DC	