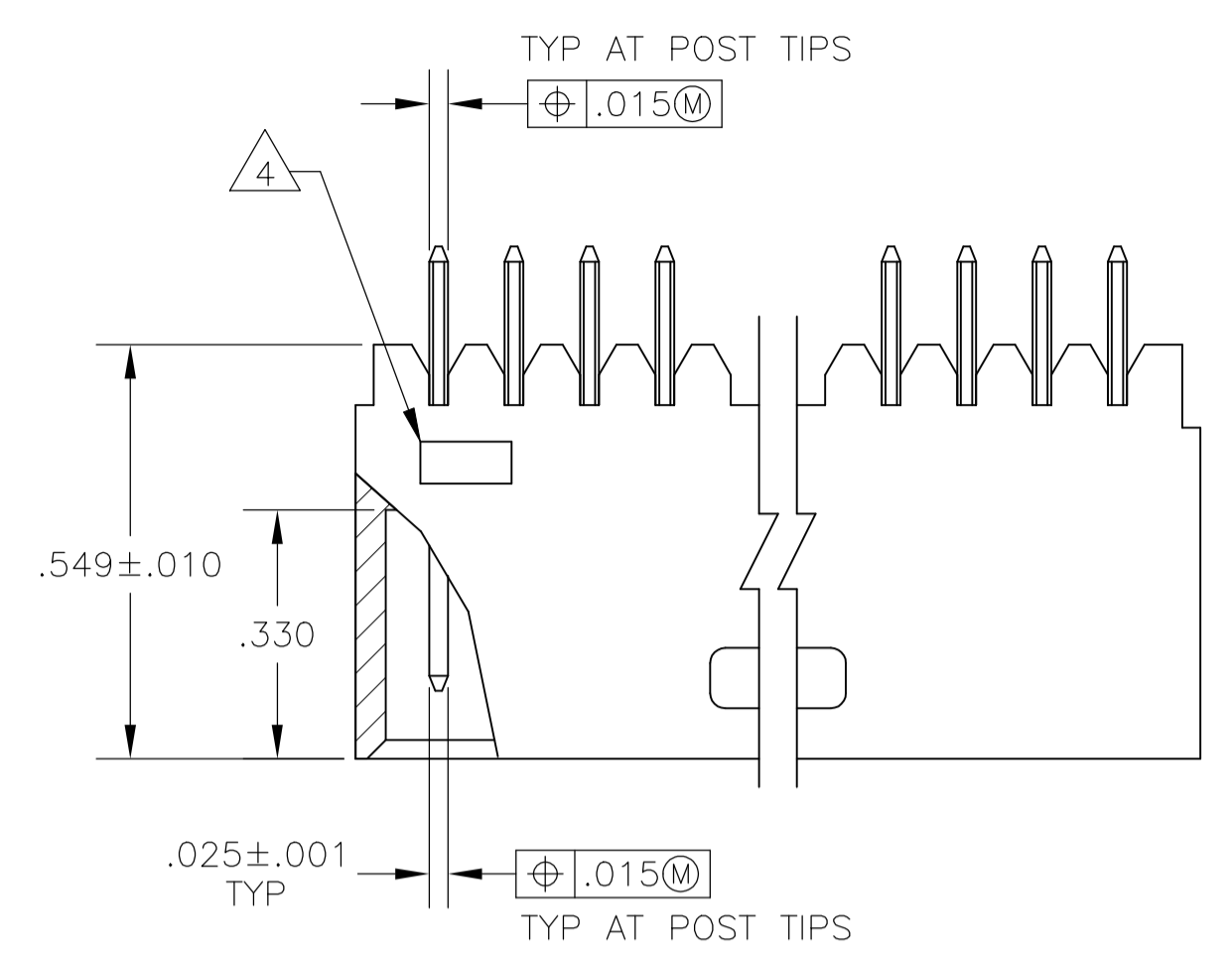
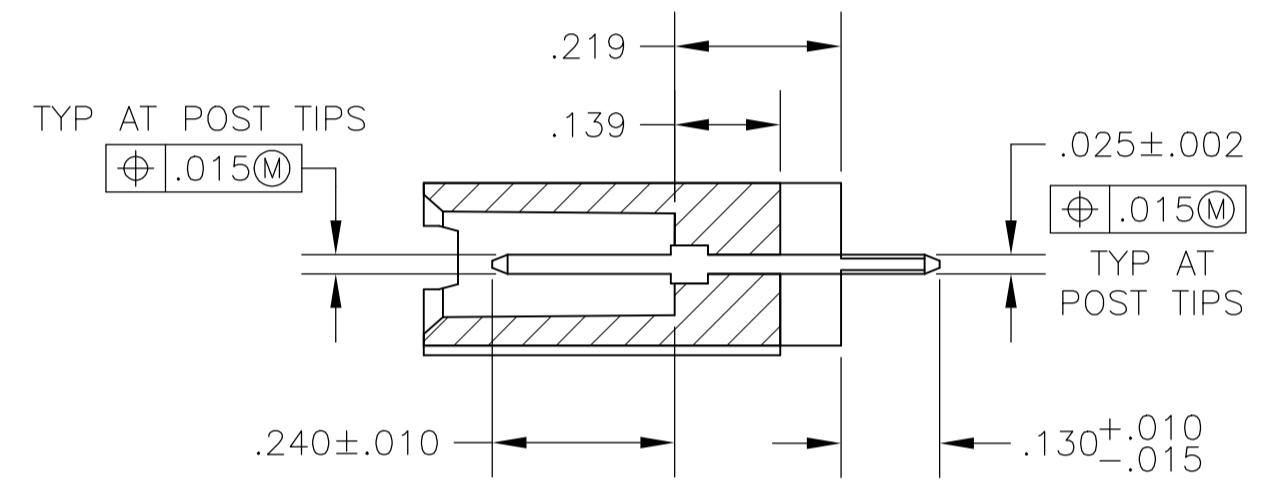
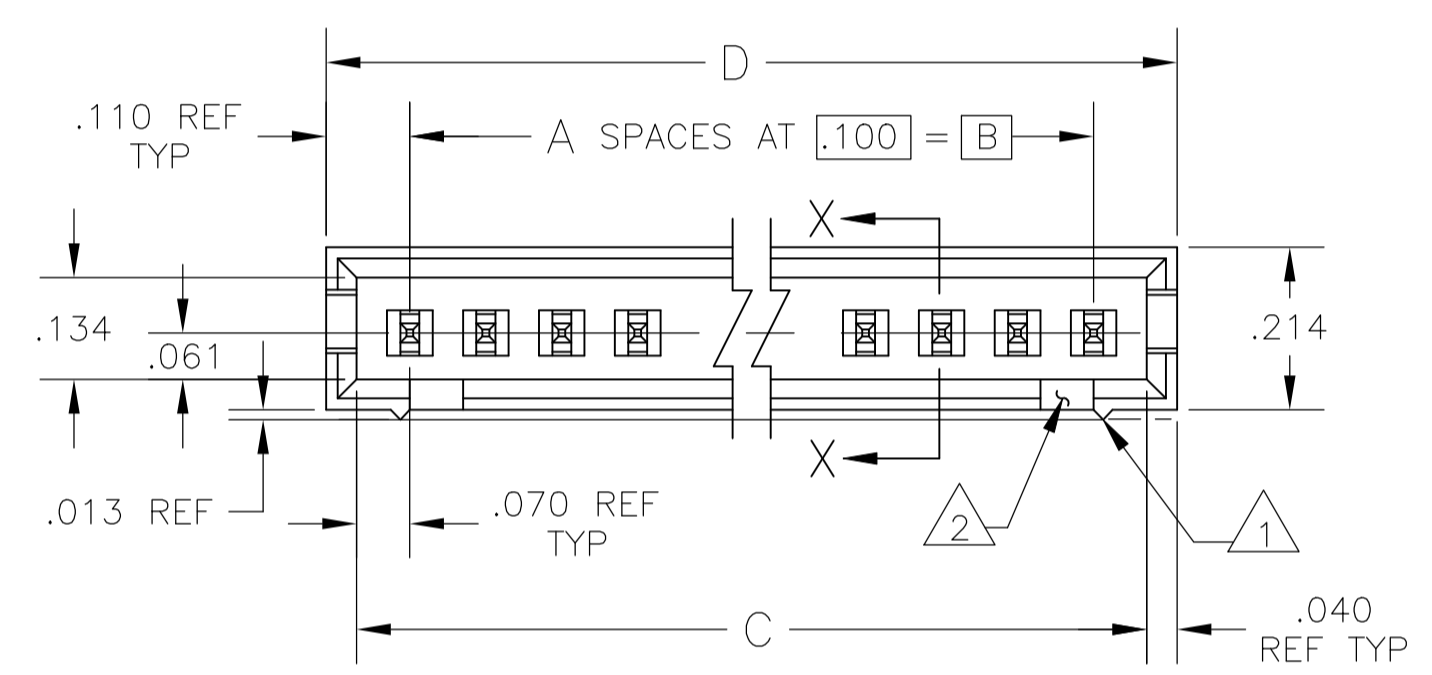


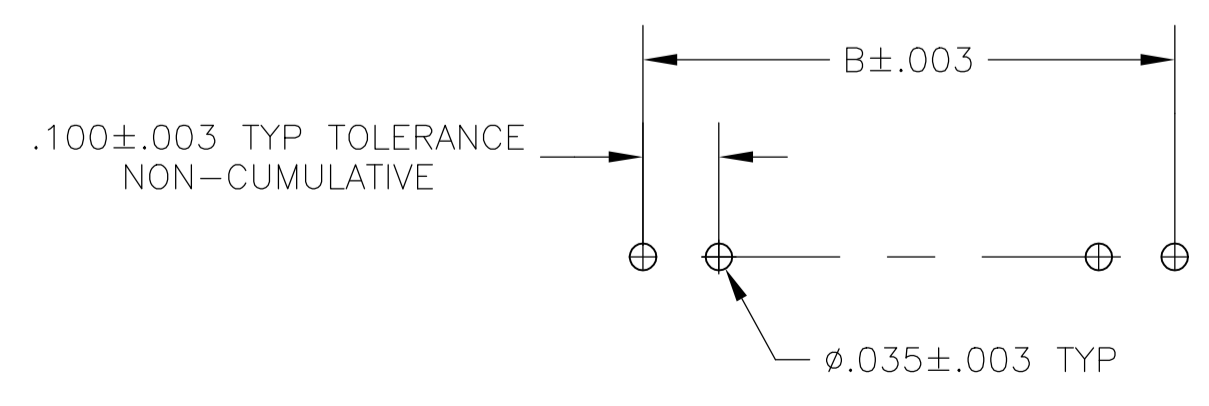
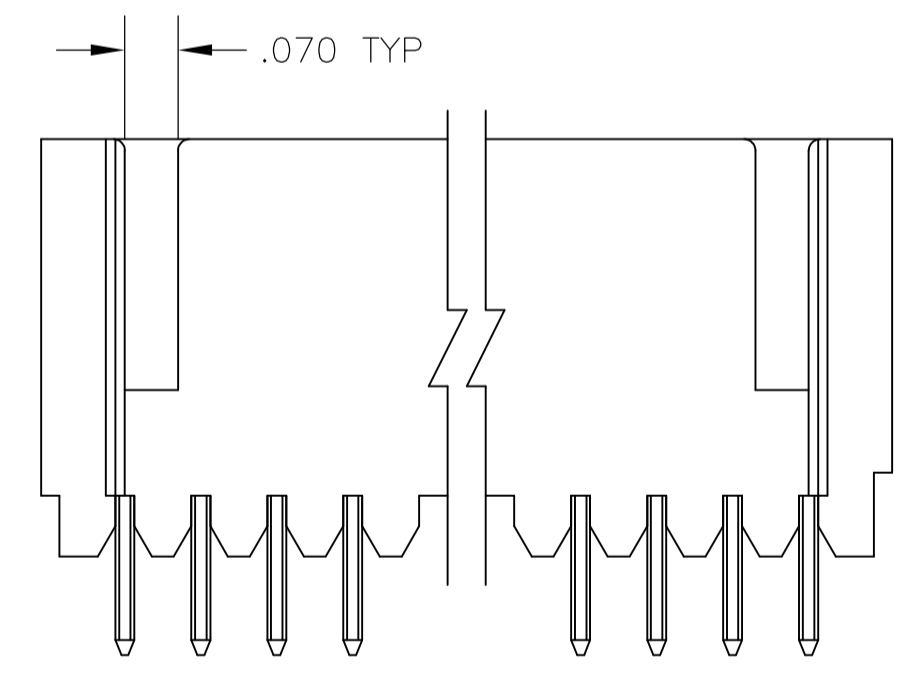
REVISIONS				
P	LTR	DESCRIPTION	DATE	APPD
V3		PART STATUS UPDATED IN PART LIST TABLE	15FEB2018	SD PS



- 1 STANDOFFS:  
UP TO 9 POS-(2 REQD) ON THE OUTSIDE ENDS OF THE HOUSING.  
10 TO 19 POS-(3 REQD) TWO ON THE OUTSIDE ENDS AND ONE CENTERED ON THE HOUSING.  
  
19 POS AND ABOVE-(4 REQD) TWO ON THE OUTSIDE ENDS AND TWO SPACED EVENLY WITHIN THE REMAINING LENGTH OF THE HOUSING.
- 2 FOR 3 POS. ONLY, ONE SLOT (.215 WIDE).
- 3 INDICATED PARTS ARE PACKAGED IN "GANG-OF-TUBES".
- 4 RECESSED DATE CODE
- 5 .000100-.000200 BRIGHT TIN-LEAD OVER .000050 NICKEL.
- 6 .000100-.000200 BRIGHT TIN OVER .000050 NICKEL.
- 7 PRELIMINARY PART
- 8 .000100-.000200 MATTE TIN OVER .000050 NICKEL.
- 9 OBSOLETE PARTS: OBSOLETE CIS STREAMLINING PER D.RENAUD/D.SINISI



SECTION X-X



RECOMMENDED HOLE LAYOUT

FINISH	D	C	B	A	NO OF POS	ASSEMBLY PART NUMBER
8	2.620	2.540	2.400	24	25	7-103080-3
8	2.520	2.440	2.300	23	24	7-103080-2
8	2.420	2.340	2.200	22	23	7-103080-1
8	2.320	2.240	2.100	21	22	7-103080-0
8	2.220	2.140	2.000	20	21	6-103080-9
8	2.120	2.040	1.900	19	20	6-103080-8
8	2.020	1.940	1.800	18	19	6-103080-7
8	1.920	1.840	1.700	17	18	6-103080-6
8	1.820	1.740	1.600	16	17	6-103080-5
8	1.720	1.640	1.500	15	16	6-103080-4
8	1.620	1.540	1.400	14	15	6-103080-3
8	1.520	1.440	1.300	13	14	6-103080-2
8	1.420	1.340	1.200	12	13	6-103080-1
8	1.320	1.240	1.100	11	12	6-103080-0
8	1.220	1.140	1.000	10	11	5-103080-9
8	1.120	1.040	.900	9	10	5-103080-8
8	1.020	.940	.800	8	9	5-103080-7
8	.920	.840	.700	7	8	5-103080-6
8	.820	.740	.600	6	7	5-103080-5
8	.720	.640	.500	5	6	5-103080-4
8	.620	.540	.400	4	5	5-103080-3
8	.520	.440	.300	3	4	5-103080-2
8	.420	.340	.200	2	3	5-103080-1
7	1.020	.940	.800	8	9	4-103080-0
6	.520	.440	.300	3	4	3-103080-9
6	.420	.340	.200	2	3	3-103080-8
6	.520	.440	.300	3	4	3-103080-7
6	.620	.540	.400	4	5	3-103080-6
5	.620	.540	.400	4	5	3-103080-5
5	3.820	3.640	3.500	35	36	3-103080-4
5	3.720	3.540	3.400	34	35	3-
5	3.620	3.440	3.300	33	34	3-
5	3.420	3.340	3.200	32	33	3-
5	3.320	3.240	3.100	31	32	3-
5	3.220	3.140	3.000	30	31	2-
5	3.120	3.040	2.900	29	30	2-
5	3.020	2.940	2.800	28	29	2-
5	2.920	2.840	2.700	27	28	2-
5	2.820	2.740	2.600	26	27	2-
5	2.720	2.640	2.500	25	26	2-
5	2.620	2.540	2.400	24	25	2-
5	2.520	2.440	2.300	23	24	2-
5	2.420	2.340	2.200	22	23	2-
5	2.320	2.240	2.100	21	22	2-
5	2.220	2.140	2.000	20	21	1-
5	2.120	2.040	1.900	19	20	1-
5	2.020	1.940	1.800	18	19	1-
5	1.920	1.840	1.700	17	18	1-
5	1.820	1.740	1.600	16	17	1-
5	1.720	1.640	1.500	15	16	1-
5	1.620	1.540	1.400	14	15	1-
5	1.520	1.440	1.300	13	14	1-
5	1.420	1.340	1.200	12	13	1-
5	1.320	1.240	1.100	11	12	1-
5	1.220	1.140	1.000	10	11	1-
5	1.120	1.040	.900	9	10	1-
5	1.020	.940	.800	8	9	1-
5	.920	.840	.700	7	8	1-
5	.820	.740	.600	6	7	1-
5	.720	.640	.500	5	6	1-
5	.620	.540	.400	4	5	1-
5	.520	.440	.300	3	4	1-
5	.420	.340	.200	2	3	103080-1

THIS DRAWING IS A CONTROLLED DOCUMENT. DWN J. MARTINELLI 17AUG92  
CHK -

DIMENSIONS: INCHES  
0 PLC ± -  
1 PLC ± -  
2 PLC ± .02  
3 PLC ± .005  
4 PLC ± -  
ANGLES ± -

TOLERANCES UNLESS OTHERWISE SPECIFIED:  
SEE TABLE

MATERIAL: RETARDANT THERMOPLASTIC, COLOR-BLACK  
POSTS-BRASS

FINISH: SEE TABLE

WEIGHT: -

CUSTOMER DRAWING

DWN H. PALEY 21AUG92  
NAME: ASSEMBLY, MOD II, SINGLE ROW, .100 C/L, (4) SIDED SHROUD  
PRODUCT SPEC: -  
APPLICATION SPEC: -

SCALE: A1  
CAGE CODE: 00779  
DRAWING NO: 103080

RESTRICTED TO: -

SCALE: 4:1  
SHEET: 1 OF 1  
REV: V3