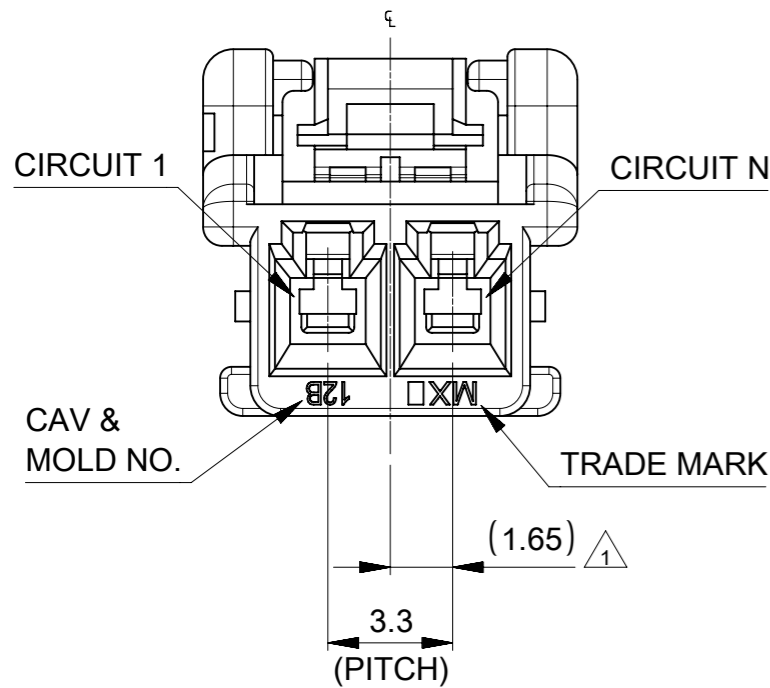
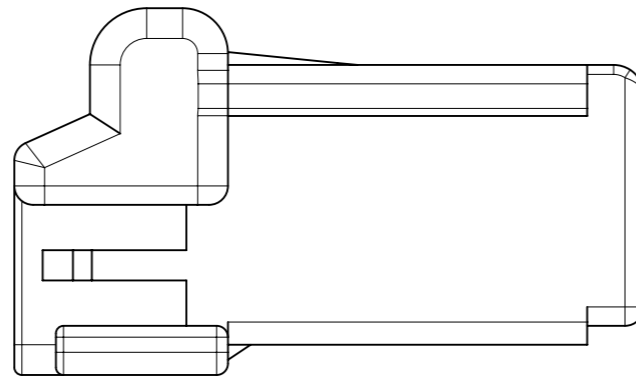
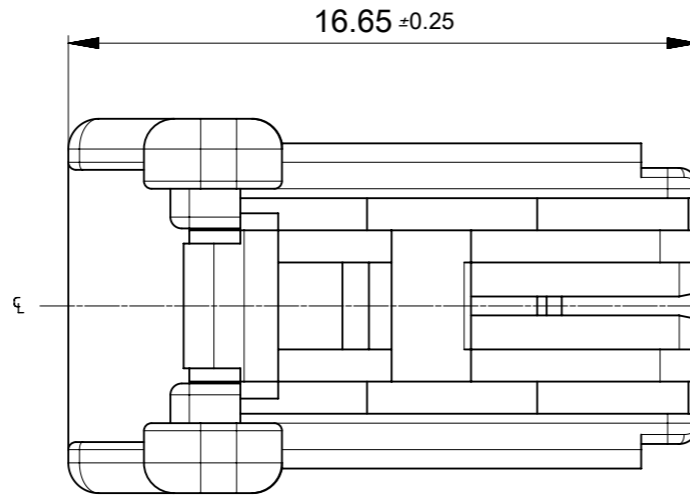
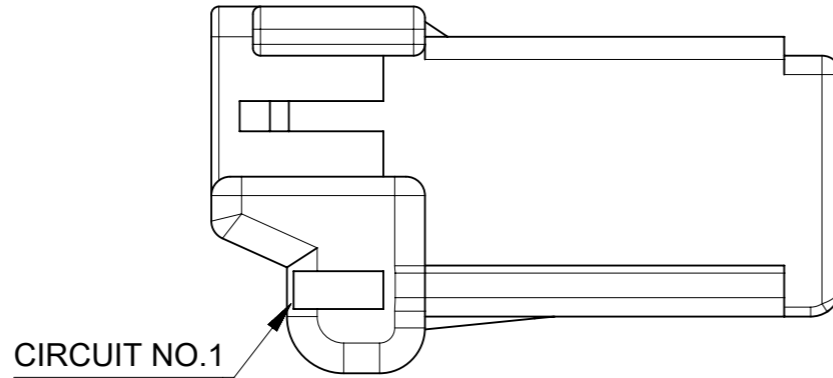
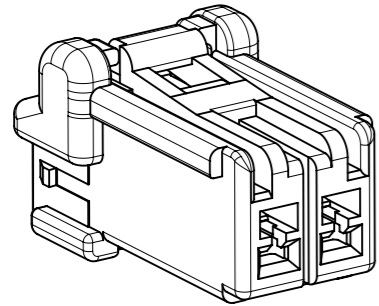


FIGURE OF 5046930200



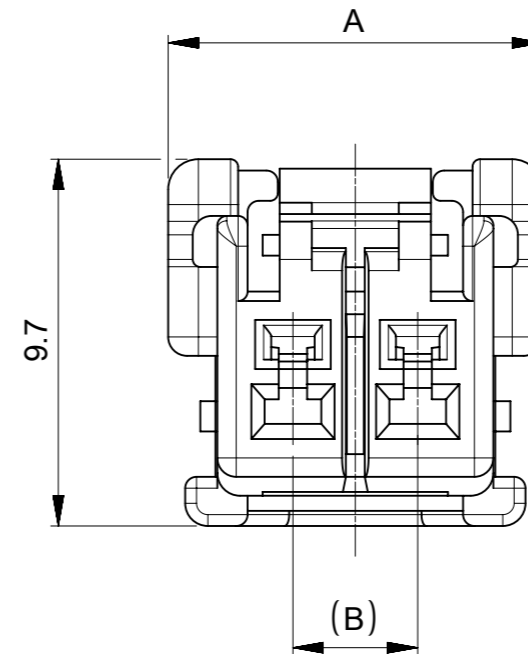
NOTES

- △1 材料：TABLE 1 参照  
MATERIAL：SEE TABLE 1
- △2 製品仕様書、アプリケーション仕様書、適応嵌合相手、適応リテーナー、適応ターミナルはSHEET 2を御参照下さい  
PLEASE REFER TO SHEET 2 FOR PRODUCT SPECIFICATION, APPLICATION SPECIFICATION, APPLY MATE PARTNER, APPLY RETAINER, APPLY TERMINAL.
- △3 極数/2 = 偶数に適応  
APPLY FOR CIRCUIT SIZE / 2 =EVEN
- 4. 本製品のプラスチック部に黒点・白点等が確認される場合や色合いが異なる場合がありますが、製品性能に影響はありません。  
THERE IS NO INFLUENCE IN THE PRODUCT PERFORMANCE THOUGH THE BLACK AND WHITE SPOT ETC. MIGHT BE CONFIRMED TO THE PLASTIC PART OF THIS PRODUCT AND THE SHADE MIGHT BE DIFFERENT.
- △5 発注番号：SHEET 3 参照  
ORDER No.：PLEASE REFER TO SHEET 3 FOR PRODUCT LIST.

504693 \*\*\*\*

極数  
CIRCUIT SIZE

ハウジングカラー HOUSING COLOR	
00:自然色	NATURAL
01:黒	BLACK
02:赤	RED
03:黄	YELLOW
04:青	BLUE
05:桃	PINK
06:緑	GREEN
08:橙	ORANGE
09:紫	VIOLET



16.5	23.1±0.25	6
9.9	16.5±0.25	4
6.6	13.2±0.25	3
3.3	9.9	2
(B)	A	極数 CIRCUIT SIZE

△1 TABLE 1

部品 PART	材料 MATERIAL
ハウジング HOUSING	PBT, UL-94 V-0,色：SEE CHART PBT, UL-94 V-0,COLOR：SEE CHART
DOCUMENT STATUS	P1    RELEASE DATE    2018/11/21    03:00:32

DIMENSION UNITS		SCALE	CURRENT REV DESC:			molex		
mm		5:1	EC NO: 607712			CP3.3 W/W SINGLE ROW REC HOUSING		
GENERAL TOLERANCES (UNLESS SPECIFIED)			DRWN: KYAMADA02    2018/11/14			PRODUCT CUSTOMER DRAWING		
ANGULAR TOL ± 3.0°			CHK'D: SAKIYAMA    2018/11/21			DOCUMENT NUMBER		
4 PLACES ± 0.2			APPR: TKANEKO    2018/11/21			5046930000-SD		
3 PLACES ± 0.2			INITIAL REVISION:			DOC TYPE DOC PART REVISION		
2 PLACES ± 0.2			DRWN: KYAMADA02    2018/11/14			PSD 000 A		
1 PLACE ± 0.2			APPR: TKANEKO    2018/11/21			MATERIAL NUMBER		
0 PLACES ± 0.2			DRAWING			CUSTOMER		
DRAFT WHERE APPLICABLE MUST REMAIN WITHIN DIMENSIONS			THIRD ANGLE PROJECTION			SHEET NUMBER		
			A3-SIZE			504693    SEE CHART    GENERAL    1 OF 3		

△ 2 適応製品及び各種仕様書  
 APPLICABLE PRODUCTS AND VARIOUS SPECIFICATIONS

梱包仕様書 PACKING SPECIFICATION	PART NUMBER	SPECIFICATION NUMBER
	504693****	SPK-504693-001

適応端子 APPLY TERMINAL	PART NUMBER	PLATING TYPE	WIRE SIZE(AWG)
	5056070*00	TIN	#18 - #22
	503978*00		#22 - #28

適応嵌合相手 APPLY MATE	TIN PLATING
シリーズ番号 SERIES No.	REC HSG
適応リテーナー APPLY RETAINER	504694
シリーズ番号 SERIES No.	RETAINER
製品仕様書 PRODUCT SPECIFICATION	504695
アプリケーション仕様書 APPLICATION SPECIFICATION	PS-504693-001
	AS-504693-001(JAPANESE)/-002(ENGLISH)

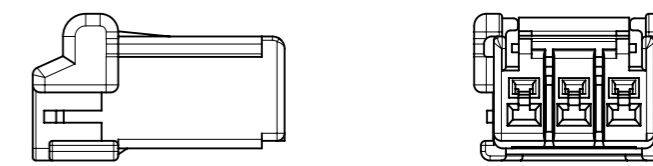


FIGURE OF 3 CIRCUIT

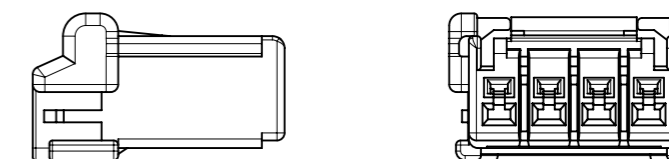


FIGURE OF 4 CIRCUIT

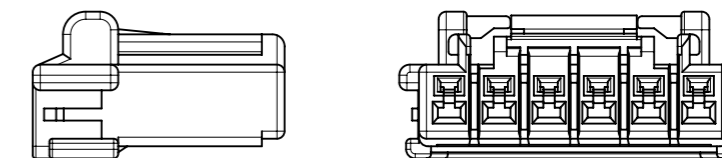
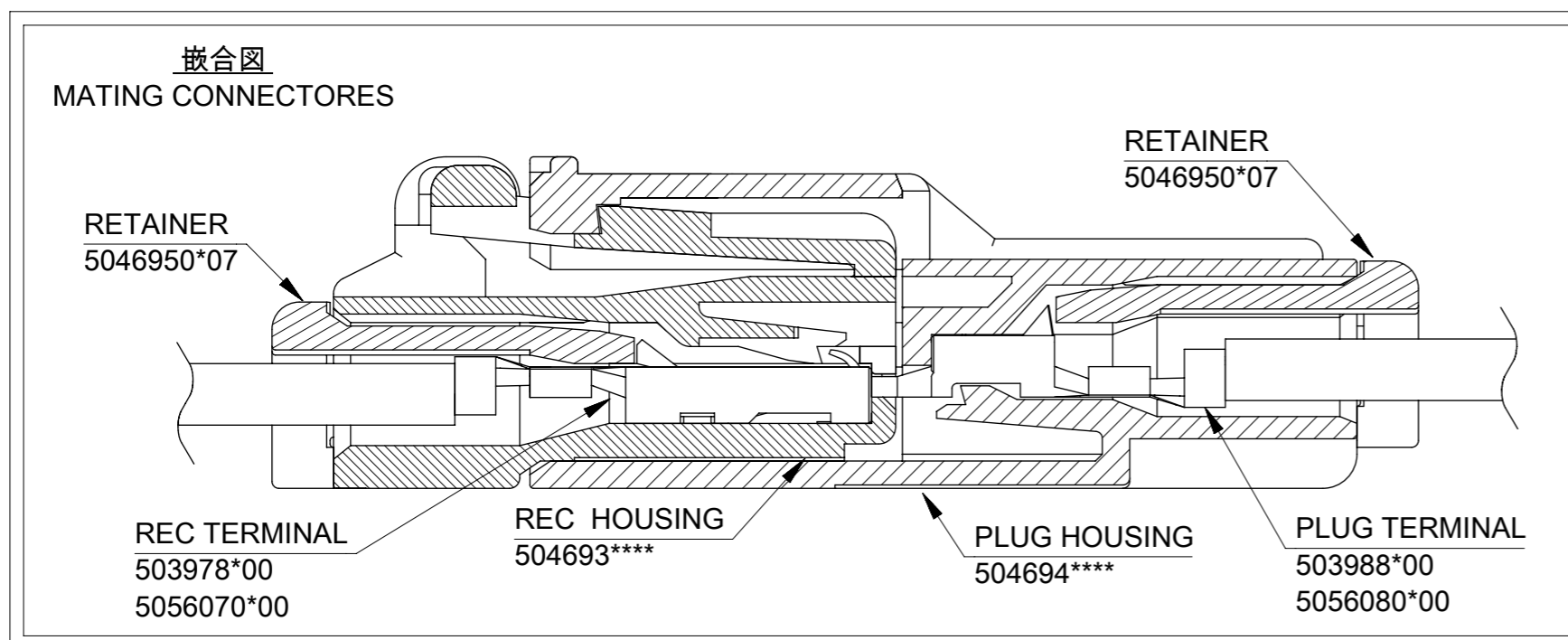


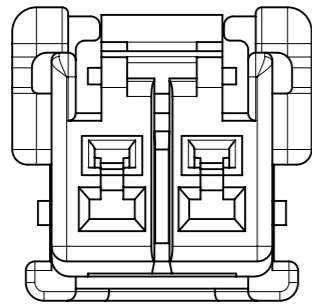
FIGURE OF 6 CIRCUIT



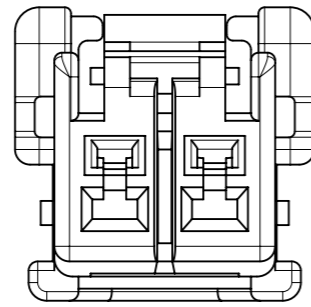
THIS DRAWING CONTAINS INFORMATION THAT IS PROPRIETARY TO MOLEX ELECTRONIC TECHNOLOGIES, LLC AND SHOULD NOT BE USED WITHOUT WRITTEN PERMISSION									
DIMENSION UNITS		SCALE		CURRENT REV DESC:				<b>molex</b>	
mm		2:1							
GENERAL TOLERANCES (UNLESS SPECIFIED)				EC NO: 607712				CP.3.3 W/W SINGLE ROW REC HOUSING	
ANGULAR TOL ± 3.0°				DRWN: KYAMADA02 2018/11/14				PRODUCT CUSTOMER DRAWING	
4 PLACES ± 0.2				CHK'D: SAKIYAMA 2018/11/21				DOCUMENT NUMBER	
3 PLACES ± 0.2				APPR: TKANEKO 2018/11/21				5046930000-SD	
2 PLACES ± 0.2				INITIAL REVISION:				DOC TYPE	
1 PLACE ± 0.2				DRWN: KYAMADA02 2018/11/14				PSD	
0 PLACES ± 0.2				APPR: TKANEKO 2018/11/21				DOC PART	
DRAFT WHERE APPLICABLE MUST REMAIN WITHIN DIMENSIONS				THIRD ANGLE PROJECTION		DRAWING		REVISION	
		A3-SIZE		SERIES		MATERIAL NUMBER		CUSTOMER	
		504693		SEE CHART		GENERAL		SHEET NUMBER	
		2 OF 3							

△<sub>5</sub> 製品一覧  
PRODUCT LIST

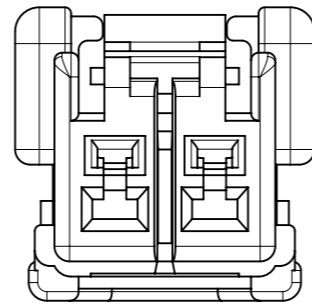
HOUSING COLOR									
VIOLET	ORANGE	GREEN	PINK	BLUE	YELLOW	RED	BLACK	NATURAL	
-	-	-	-	5046930604	5046930603	5046930602	5046930601	5046930600	6
-	-	-	-	5046930404	5046930403	5046930402	5046930401	5046930400	4
-	-	-	-	5046930304	5046930303	5046930302	5046930301	5046930300	3
5046930209	5046930208	5046930206	5046930205	5046930204	5046930203	5046930202	5046930201	5046930200	2
オーダー番号 ORDER No.									極数 CIRCUIT NO.
梱包形態 : ポリ袋 PACKAGING : POLYBAG									



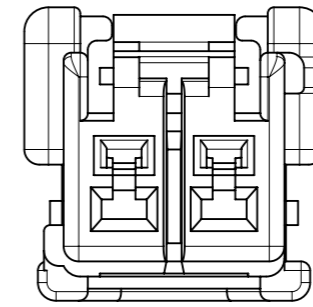
KEY TYPE :1  
COLOR :NATURAL  
MATERIAL NO. :5046930200



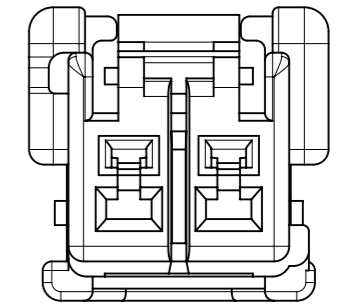
KEY TYPE :2  
COLOR :BLACK  
MATERIAL NO. :5046930201



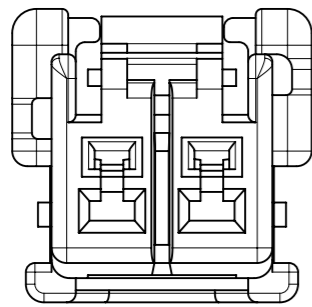
KEY TYPE :3  
COLOR :RED  
MATERIAL NO. :5046930202



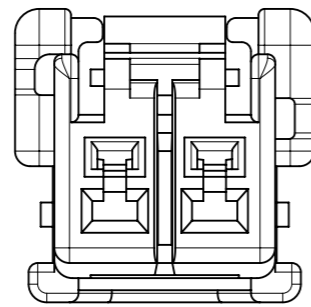
KEY TYPE :4  
COLOR :YELLOW  
MATERIAL NO. :5046930203



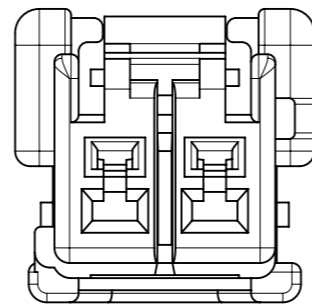
KEY TYPE :5  
COLOR :BLUE  
MATERIAL NO. :5046930204



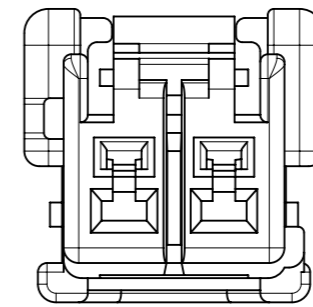
KEY TYPE :6  
COLOR :PINK  
MATERIAL NO. :5046930205



KEY TYPE :7  
COLOR :GREEN  
MATERIAL NO. :5046930206



KEY TYPE :8  
COLOR :ORANGE  
MATERIAL NO. :5046930208



KEY TYPE :9  
COLOR :VIOLET  
MATERIAL NO. :5046930209

MATING  
KEY TYPE & COLOR

FIGURE TO 2 CIRCUIT

THIS DRAWING CONTAINS INFORMATION THAT IS PROPRIETARY TO MOLEX ELECTRONIC TECHNOLOGIES, LLC AND SHOULD NOT BE USED WITHOUT WRITTEN PERMISSION										
DIMENSION UNITS	SCALE	CURRENT REV DESC:						<b>molex</b>		
mm	2:1									
GENERAL TOLERANCES (UNLESS SPECIFIED)		EC NO: 607712						CP3.3 W/W SINGLE ROW REC HOUSING		
ANGULAR TOL	± 3.0°	DRWN: KYAMADA02 2018/11/14						PRODUCT CUSTOMER DRAWING		
4 PLACES	± 0.2	CHK'D: SAKIYAMA 2018/11/21						DOCUMENT NUMBER		
3 PLACES	± 0.2	APPR: TKANEKO 2018/11/21						5046930000-SD		
2 PLACES	± 0.2	INITIAL REVISION:						DOC TYPE	DOC PART	REVISION
1 PLACE	± 0.2	DRWN: KYAMADA02 2018/11/14						PSD	000	A
0 PLACES	± 0.2	APPR: TKANEKO 2018/11/21						SHEET NUMBER		
DRAFT WHERE APPLICABLE MUST REMAIN WITHIN DIMENSIONS		THIRD ANGLE PROJECTION	DRAWING	SERIES	MATERIAL NUMBER	CUSTOMER	SEE CHART			
			A3-SIZE	504693	GENERAL	3 OF 3				