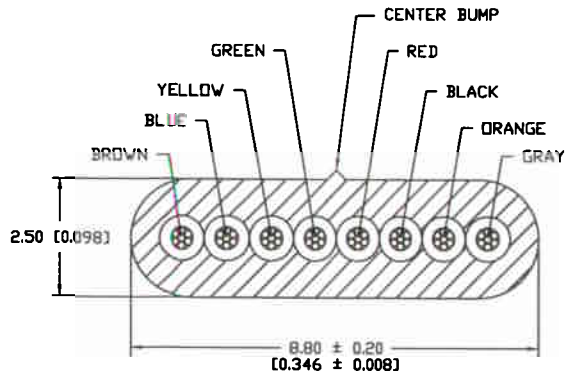
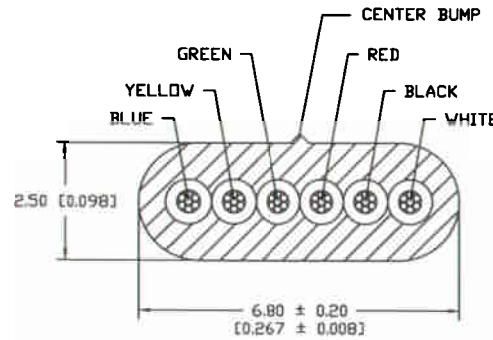


THESE DRAWINGS AND SPECIFICATIONS ARE THE SOLE PROPERTY OF I/O INTERCONNECT INC., U.S.A. AND SHALL NOT BE REPRODUCED, COPIED, OR USED IN ANY MANNER WITHOUT THE WRITTEN CONSENT OF I/O INTERCONNECT INC. OR ITS AFFILIATED SUBSIDIARIES.

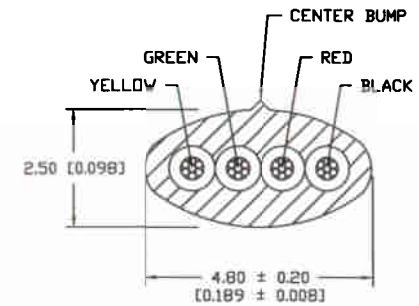
DWG. NO.	ZONE	REV.	DESCRIPTION	DATE	APPROVED
X10-0X0		J	ECN C682	07/24/02	P.S.
		K	ADD NOTE & CHANGE P/N TO REFLECT RDHS COMPLIANT, CHANGE PACKAGING SPEC. PER ACTUAL DATA PER ECN 0822	04/14/05	M.G.



8 CONDUCTOR CABLE



6 CONDUCTOR CABLE



4 CONDUCTOR CABLE

NOTES: UNLESS OTHERWISE SPECIFIED.

1.0 MATERIAL AND SPECIFICATIONS

1.01 CONDUCTORS: 26 AWG (12/0.12 mm) STRANDED BARE COPPER.

1.02 INSULATION: POLYPROPYLENE

1.03 COLOR: PER CALLOUT

1.04 PACKAGING: (SEE PAGE 2)

2.0 ELECTRICAL CHARACTERISTICS

2.01 TEMPERATURE & VOLTAGE RATING: 80°C 30 V

2.02 CONDUCTORS RESISTANCE: 148 OHMS/KM MAX. AT 20°C

2.03 INSULATION RESISTANCE: 100 MEGAOHMS/KM MIN. AT 20°C

2.04 CAPACITANCE: 15 PF/FT (MAX)

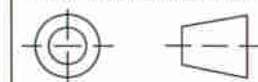
2.05 DIELECTRIC TEST: AC-500V PER 1 MINUTE

3.0 PLACE BAR CODE LABEL ON THE OUTSIDE OF EACH SHIPPING BOX

LABEL DETAIL SEE DWG 090-990-001. FOR CUSTOMER CODE 4DGK ONLY.

GLF-121-410-000	4	SILVER SATIN	[0.551 ± 0.039] 14.00 ± 1.00
GLF-121-410-010	4	BLACK	[0.551 ± 0.039] 14.00 ± 1.00
GLF-121-410-020	4	WHITE	[0.551 ± 0.039] 14.00 ± 1.00
GLF-121-610-000	6	SILVER SATIN	[0.551 ± 0.039] 14.00 ± 1.00
GLF-121-610-010	6	BLACK	[0.551 ± 0.039] 14.00 ± 1.00
GLF-121-610-020	6	WHITE	[0.551 ± 0.039] 14.00 ± 1.00
GLF-121-810-000	8	SILVER SATIN	[0.748 ± 0.039] 19.00 ± 1.00
GLF-121-810-010	8	BLACK	[0.748 ± 0.039] 19.00 ± 1.00
GLF-121-810-020	8	WHITE	[0.748 ± 0.039] 19.00 ± 1.00
I/O INTERCONNECT PART NUMBER	NUMBER OF CONDUCTORS	COLOR	∅ "A"

THIRD ANGLE PROJECTION



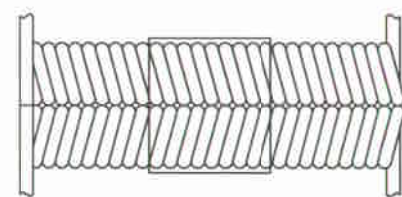
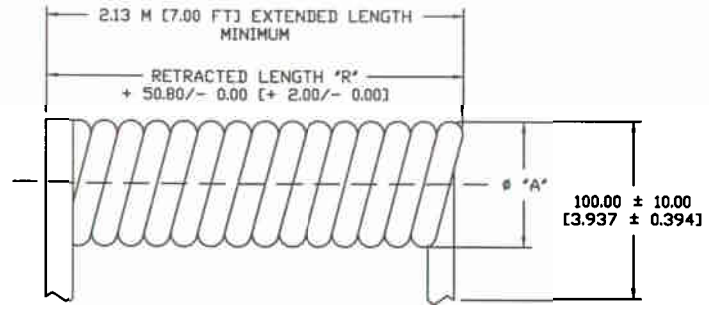
UNLESS OTHERWISE NOTED:
1) DIMENSIONS ARE IN MILLIMETER (INCHES)
2) TOLERANCES:
X.X ± 10.0 [0.39]
X.XX ± 0.25 [0.01]

I/O INTERCONNECT
SANTA ANA, CALIFORNIA

DR BY: JERRY SUN 04/14/05	TITLE: 26 AWG (12/0.12 mm) BARE COPPER, 7.00 FT EXTENDED, NON-UL, UNSHIELDED, MODULAR CABLE
DR CHECKER: M. CHEDEN	PART NO: GLF-121-X10-0X0
NO:	DWG NO: GLF-121-X10-0X0
ENGINEER:	CUSTOMER: I/O INTERCONNECT
DIST./SALES:	REV. K
SA:	SCALE: NONE SHEET 1 OF 2

THESE DRAWINGS AND SPECIFICATIONS ARE THE SOLE PROPERTY OF I/O INTERCONNECT INC., U.S.A. AND SHALL NOT BE REPRODUCED, COPIED, OR USED IN ANY MANNER WITHOUT THE PRIOR WRITTEN CONSENT OF I/O INTERCONNECT INC. OR ITS AFFILIATED SUBSIDIARIES.

DWG. NO.	ZONE	REV.	DESCRIPTION	DATE	APPROVED
X10-0X0		J	ECN C682	07/24/02	P.S.
		K	ADD NOTE & CHANGE P/N TO REFLECT ROHS COMPLIANT. CHANGE PACKAGING SPEC. PER ACTUAL DATA PER ECN DR22	04/14/05	M.G.



BUNDLE SPECIFICATION

NOTES: UNLESS OTHERWISE SPECIFIED.

4.0 PACKAGING SPECIFICATION

- 4.01 USE CLEAR TAPE TO BUNDLE 25 CABLES TOGETHER AT THE MID SECTION.
- 4.02 PLACE PLASTIC BAG IN SHIPPING BOX, SEE TAB BLOCK FOR PACKAGING QUANTITY PER SHIPPING BOX. CLOSE PLASTIC BAG AND SEAL BOX ALONG 3 SURFACES WITH TAPE.
- 5.0 PART TO BE ROHS COMPLIANT.

4	533.40	[21.000]	L=13.00" X W=25.00" X H=9.00"	10 BUNDLE, 250 PCS
6	609.60	[24.000]	L=13.00" X W=25.00" X H=9.00"	10 BUNDLE, 250 PCS
8	711.20	[28.000]	L=13.00" X W=30.00" X H=9.00"	5 BUNDLE, 125 PCS
CONDUCTORS NUMBER OF	MILLIMETERS	INCHES	DIMENSION MAX. OUTSIDE SHIPPING BOX	PACKAGING QUANTITY PER SHIPPING BOX

TABULATION BLOCK

THIRD ANGLE PROJECTION		I/O INTERCONNECT SANTA ANA, CALIFORNIA	
	DR. BY: JERRY SUN IN. CHECKED: SA/14/05	TITLE: 26 AWG (12/0.12 mm) BARE COPPER, 7.00 FT EXTENDED, NON-UL, UNSHIELDED, MODULAR CABLE	
UNLESS OTHERWISE NOTED: 1) DIMENSIONS ARE IN MILLIMETER [INCHES] 2) TOLERANCES: X.X ± 10.0 [0.39] X.XX ± 0.25 [0.01]		PART NO.: GLF-121-X10-0X0	REV. K
		ENG. NO.: GLF-121-X10-0X0	CUSTOMER: I/O INTERCONNECT
		DATE/SCALE:	SCALE: NONE
		SHEET 2 OF 2	