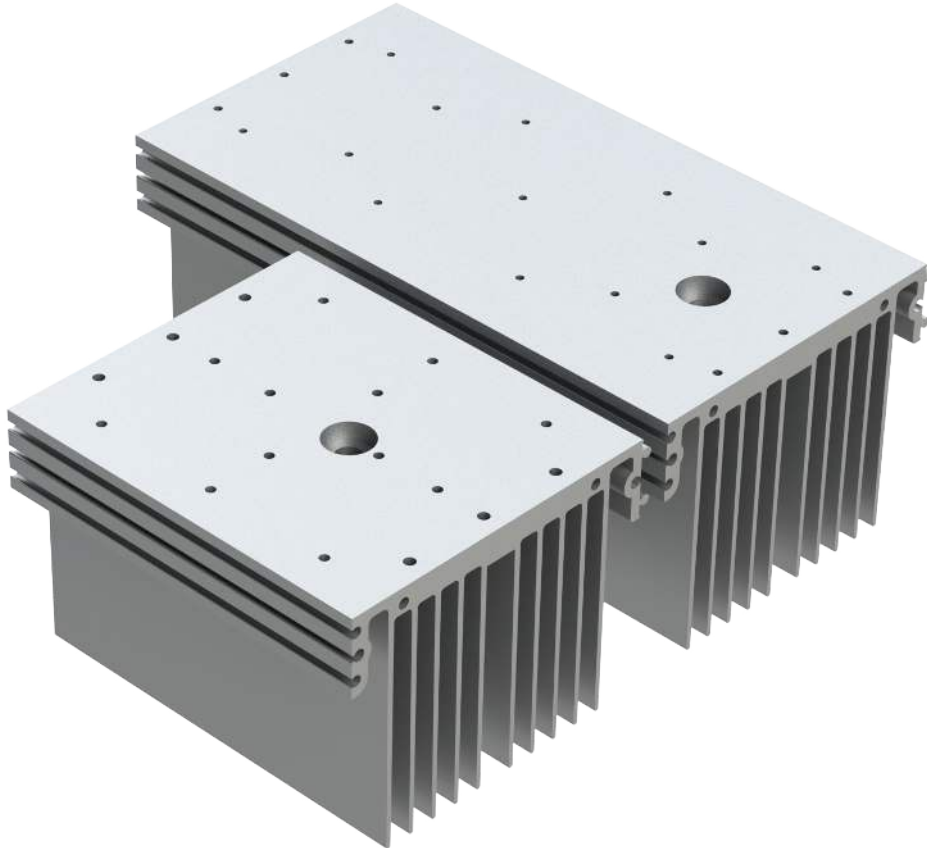


Cree XHP Series LED Module Heat Sinks

Illumination Accelerated



Designed for Cree XHP LED modules, the NewEnergy Heat Sinks are configurable to fit Linear, Rectangular, or Square footprints. Easy mounting to housing or bracket is done through our unique front profile design. Integrating Multiple Modules is effortless with our simple interlocking technology.

Superior Performance in Standard Module Heat Sinks

- Reliable Passive LED Cooling
- Capable of IP67 Dust and Water Rating
- Single Piece Extruded Aluminum Construction

Cree XHP Series LED module Heat Sinks are available from authorized distributors, see New-EnergyLLC.com for our complete list of distributors. Custom Heat Sinks are also available, contact NewEnergy for further details.

RoHS

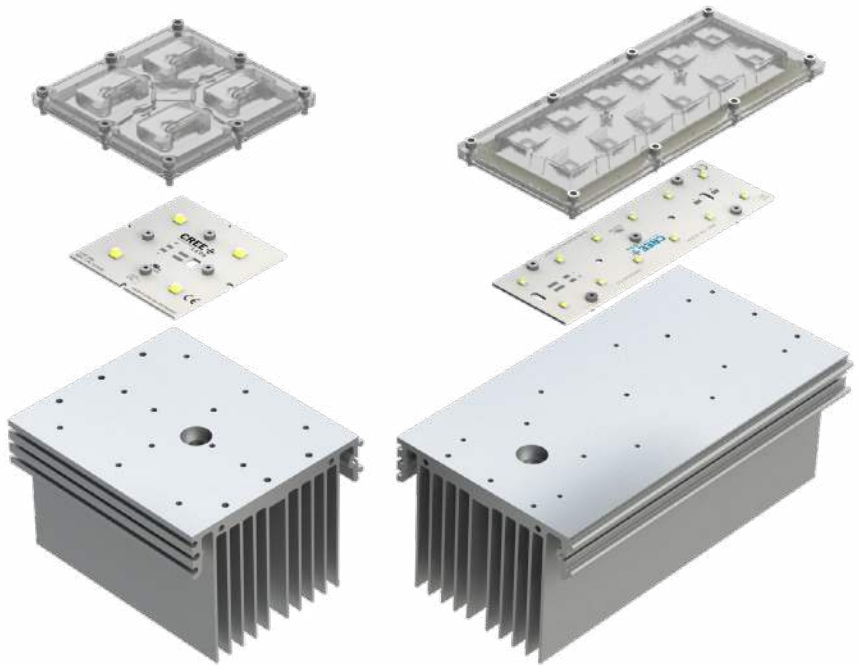
Heat Sink Features

Ordering Information

Model Number	Description	Recommended Module(s)
ONAH-0504-01	Heat Sink, 4.37"x3.25"x5.00", IP67	LSS1-04C22-x, LPS1-04C24-x, XHP50A-OS-04-x, XHP70A-OS-04-x
ONAH-0804-01	Heat Sink, 4.37"x3.25"x8.00", IP67	XHP35A-OR-12-x

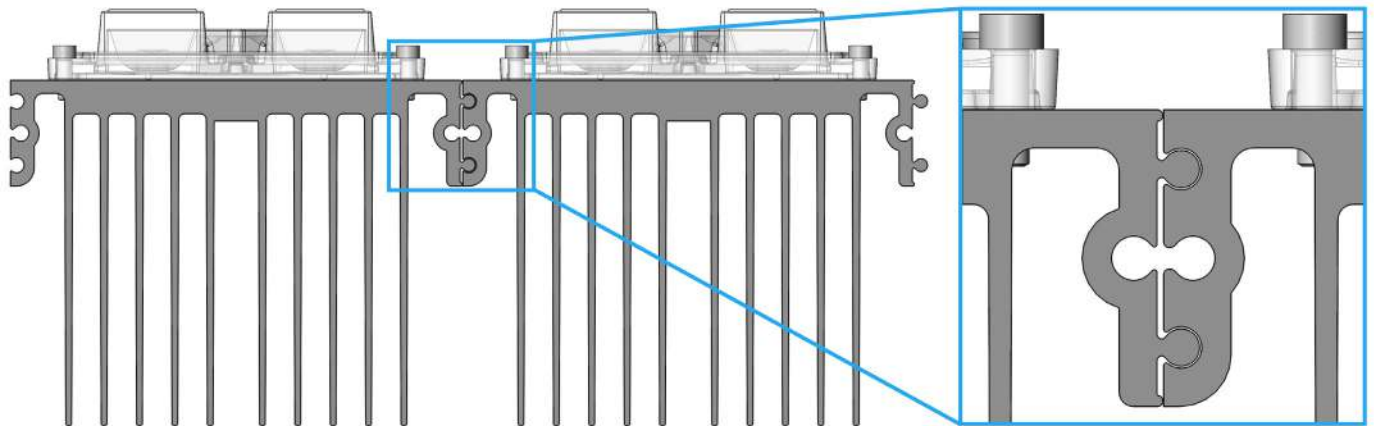
Integrate Further

- Add our Cree XHP modules, which include thermal interface material, to build a complete system
- Modules are preconfigured for off-the-shelf optics



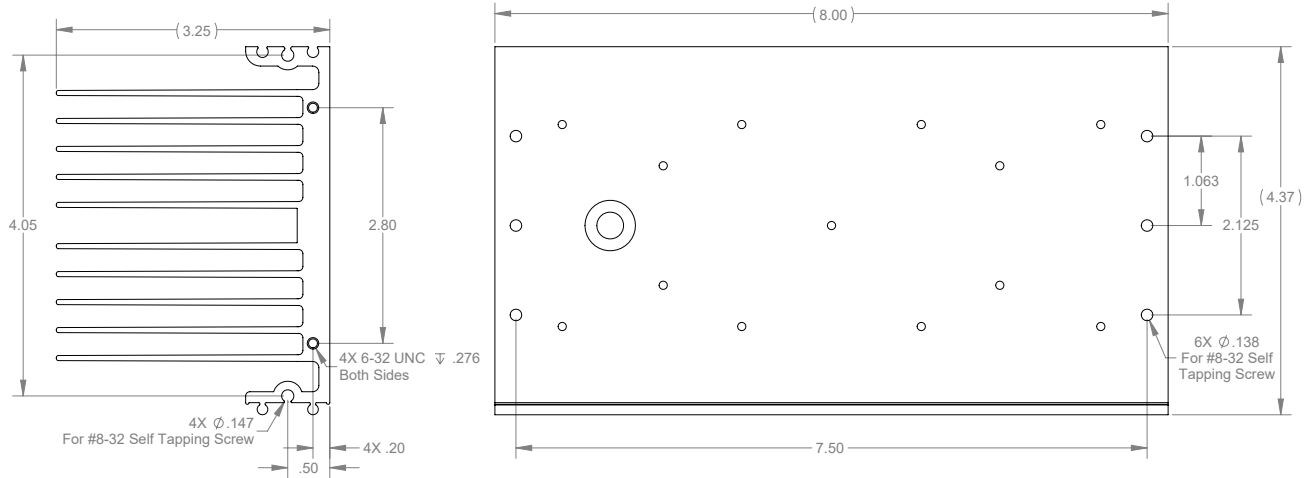
Illumination Accelerated

- Configurable to fit Linear, Rectangular, or Square footprints
- Designed for easy mounting to housing or bracket
- Easy to integrate multiple modules through our interlocking technology



Heat Sink Specifications

XHP35 2x6 Module Heat Sink



XHP50 & XHP70 2x2 Module Heat Sink

