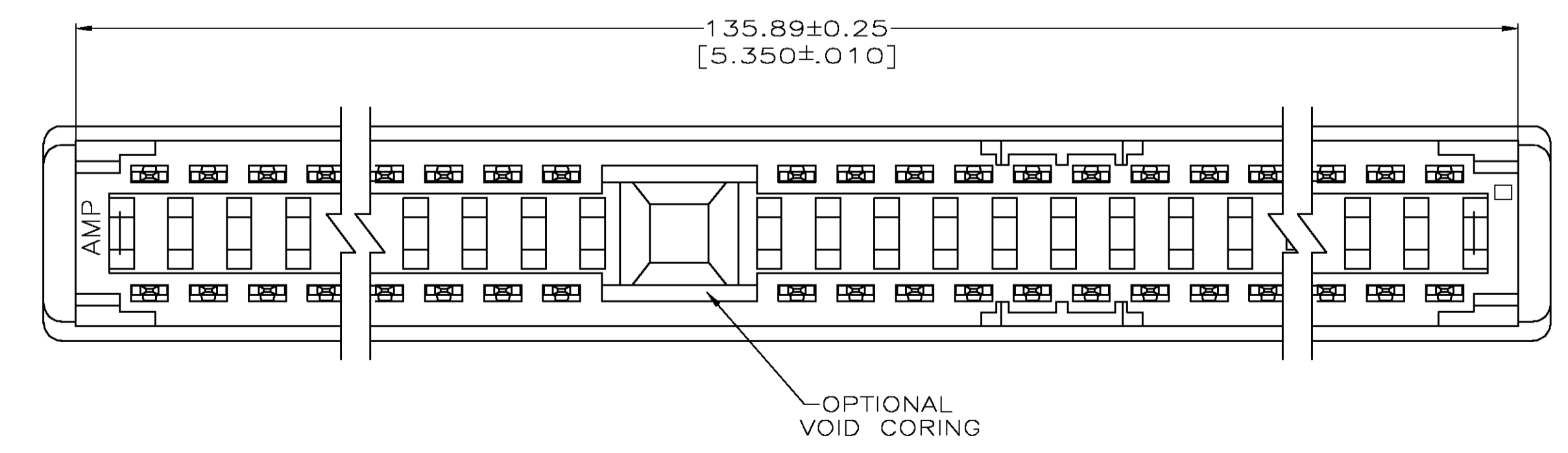
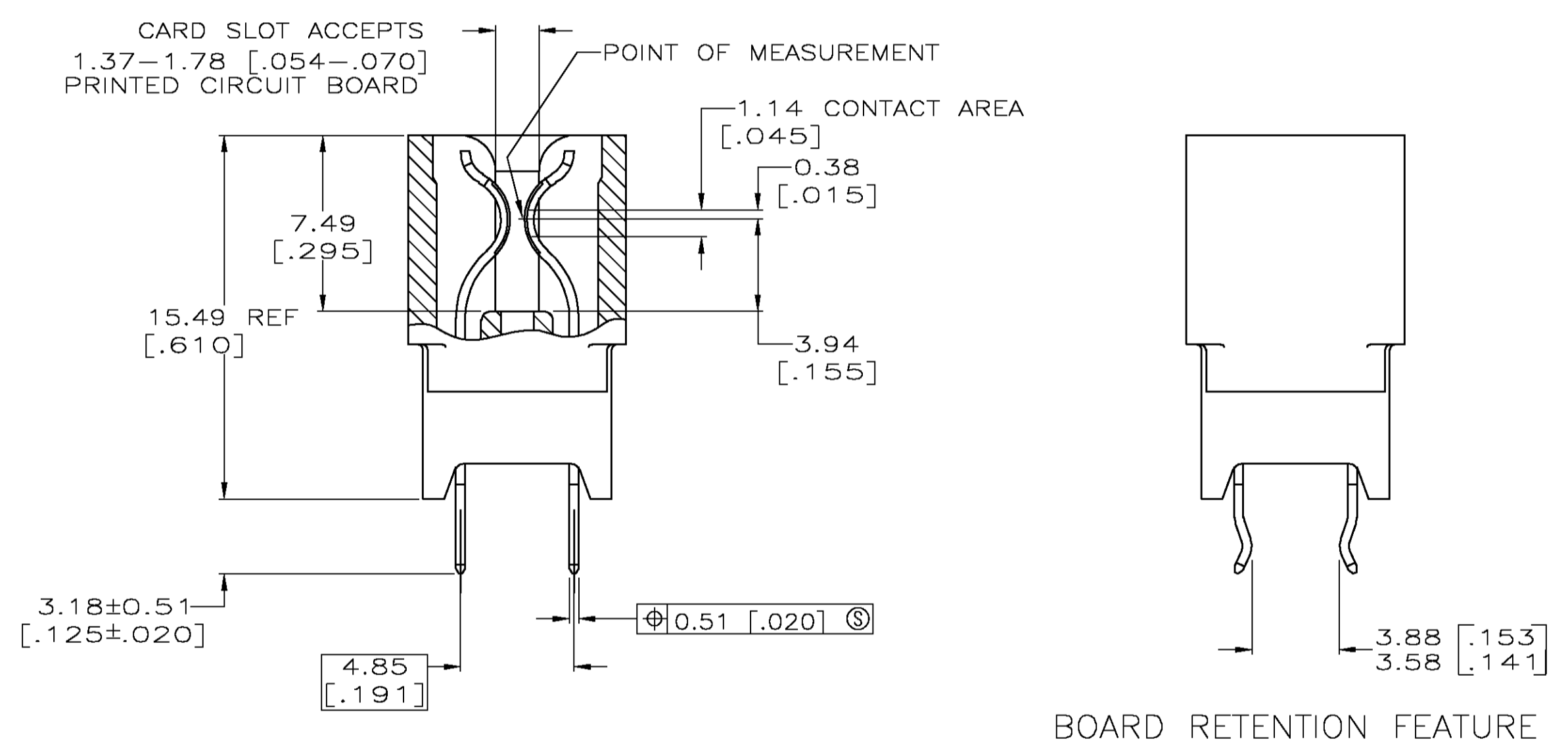
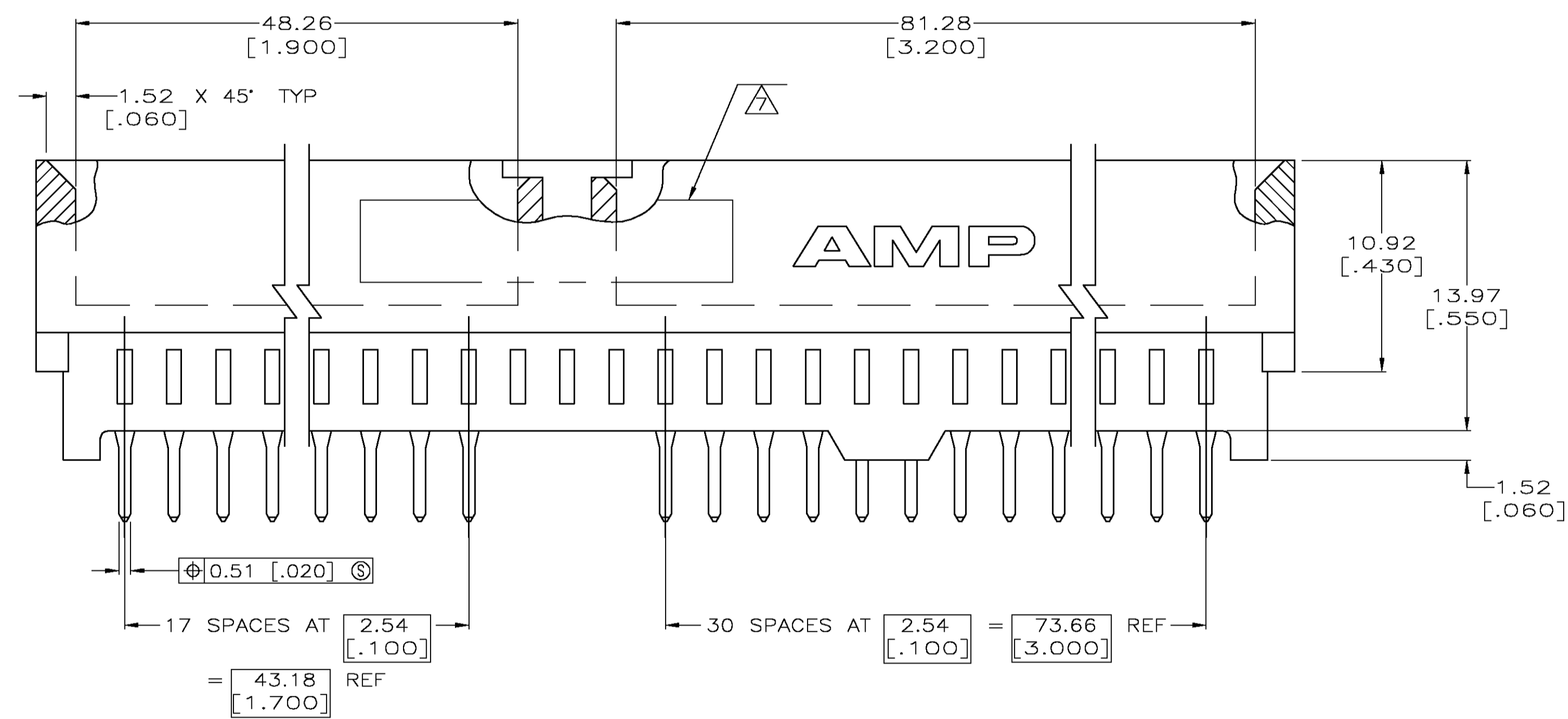
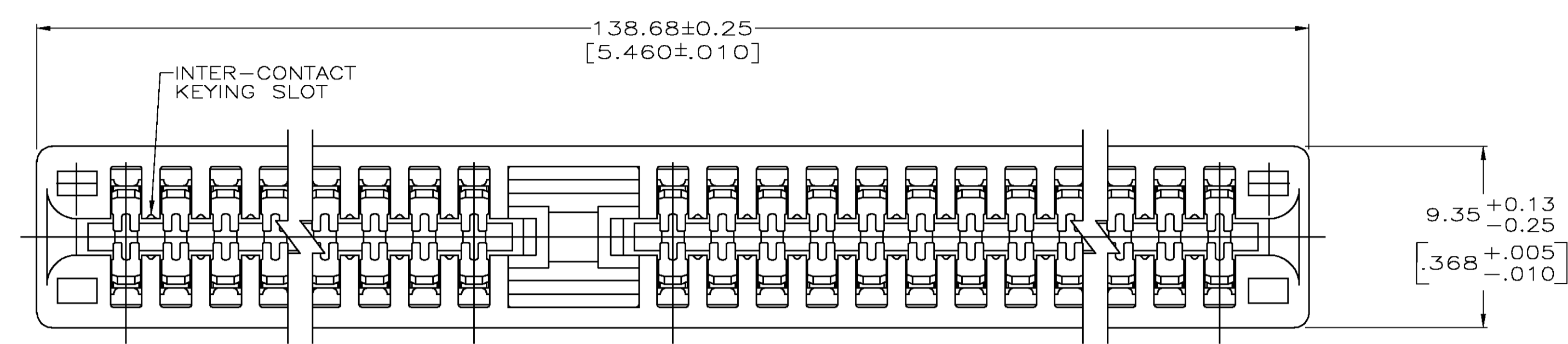


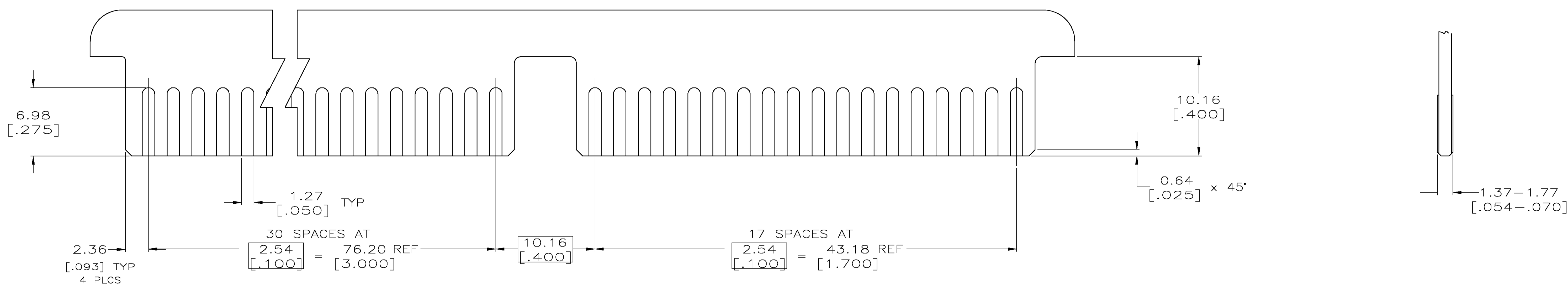
- 1 HOUSING: GLASS FILLED POLYESTER; COLOR: BLACK.
- 2 CONTACT: PHOSPHOR BRONZE.
- 3 NICKEL PLATE: 0.00127 [.000050] MIN - ALL OVER.
- 4 TIN-LEAD PLATE: 0.00254 [.000100] MIN-SOLDER POSTS.
- 5 GOLD PLATE: 0.00076 [.000030] MIN - CONTACT AREA.
- 6 NICKEL PLATE PER MIL-G-45204. GOLD PLATE PER QQ-N-290.
- 7 AMP PART NUMBER, DATE CODE AND CSA LOGO ARE MARKED IN APPROXIMATE AREA SHOWN, EITHER SIDE.
- 8. RECOMMENDED PCB FINISHED HOLE DIA: 1.02±0.08 [.040±.003].
- 9. THE RETENTIVE FEATURE OF THIS CONNECTOR IS DESIGNED FOR FULL SEATING IN .062±0.08 THICK CIRCUIT BOARDS. FOR APPLICATIONS IN BOARDS OF OTHER THICKNESSES CONTACT AMP INCORPORATED.
- 10 PACKAGED 20 CONNECTORS PER TUBE.
- 11 PACKAGED 72 CONNECTORS PER EPS TRAY.
- 12 GOLD PLATE: 0.00038 [.000015] MIN - CONTACT AREA.
- 13 PACKAGED IN SLIDE PACK.
- 14 PACKAGE 57 CONNECTORS IN TUBES.
- 15 DATUMS AND BASIC DIMENSIONS TO BE DETERMINED BY CUSTOMER.



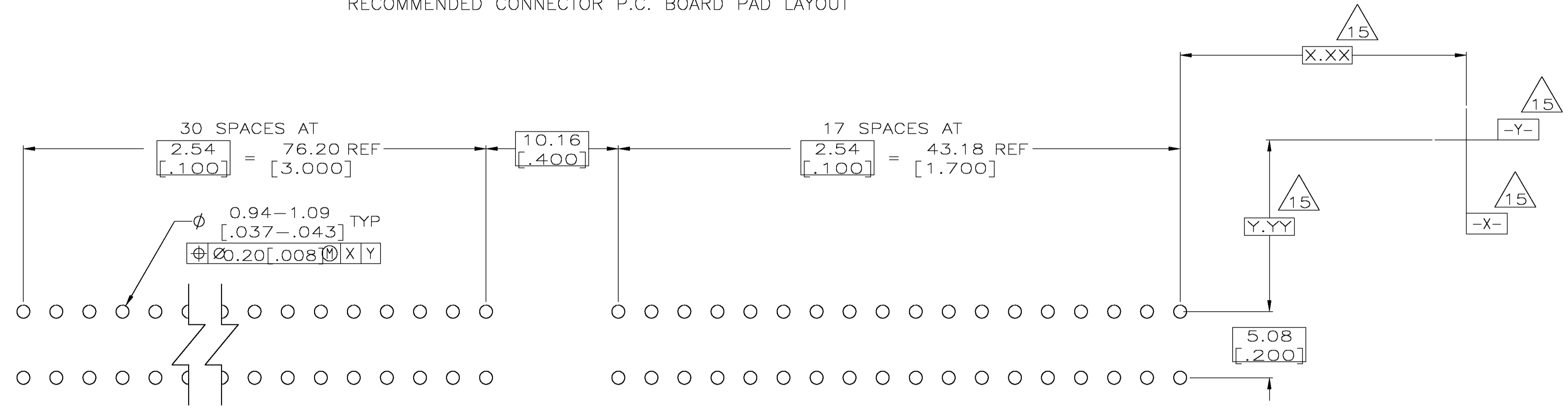
OBSOLETE	NOTE 5	NOTE 13			2-645169-4
OBSOLETE				49	1-645169-3
OBSOLETE	NOTE 5	NOTE 11		49	645169-9
OBSOLETE	NOTE 5	NOTE 11	3-6,41,42,51,52,93-96	49	645169-8
OBSOLETE	NOTE 5	NOTE 14	3-6, 41, 42, 51, 52, 93-96	49	645169-7
OBSOLETE	NOTE 5	NOTE 10		49	645169-6
OBSOLETE	NOTE 12	NOTE 11		49	645169-5
	NOTE 5	NOTE 11	5,6,31,32,41,42,93,94	49	645169-4
	NOTE 5	NOTE 11	-	49	645169-3
	NOTE 5	NOTE 11	5,6,31,32,41,42,93,94	49	645169-2
PLATING	PACKAGE	BOARD RETENTION LOCATION	NO OF POSN	PART NUMBER	

THIS DRAWING IS A CONTROLLED DOCUMENT.

DIMENSIONS: mm	TOLERANCES UNLESS OTHERWISE SPECIFIED:	DIN R BROWN 7/30/97	APVD M PAVLOVICH 7/30/97	tyco Electronics Tyco Electronics Corporation Harrisburg, Pa 17105-3608
0 PLC ± -	1 PLC ± -	PRODUCT SPEC 108-9039	APPLICATION SPEC	NAME CONNECTOR ASSEMBLY, STANDARD EDGE II, 2.54 [.100]
2 PLC ± 0.13 [.005]	3 PLC ± -	SIZE A1	CAGE CODE 00779	DRAWING NO C=645169
4 PLC ± -	ANGLES ± Z	WEIGHT	SCALE 5:1	SHEET 1 OF 2
MATERIAL	FINISH	CUSTOMER DRAWING	REV W	



RECOMMENDED CONNECTOR P.C. BOARD PAD LAYOUT



RECOMMENDED CONNECTOR P.C. BOARD HOLE PATTERN

THIS DRAWING IS A CONTROLLED DOCUMENT.		DNW R. BROWN 7/30/97	 Tyco Electronics Corporation Harrisburg, Pa 17105-3608
DIMENSIONS: mm		CHK M. PAVLOVICH 7/30/97	
TOLERANCES UNLESS OTHERWISE SPECIFIED:		APVD	NAME
0. PLC ± -	1. PLC ± -	PRODUCT SPEC	CONNECTOR ASSEMBLY, STANDARD EDGE II, 2.54 [.100]
2. PLC ± 0.13 [.005]	3. PLC ± -	APPLICATION SPEC	SIZE
4. PLC ± -	ANGLES ± -	WEIGHT	A1
MATERIAL	FINISH	CUSTOMER DRAWING	SCALE 5:1 SHEET 2 OF 2 REV W