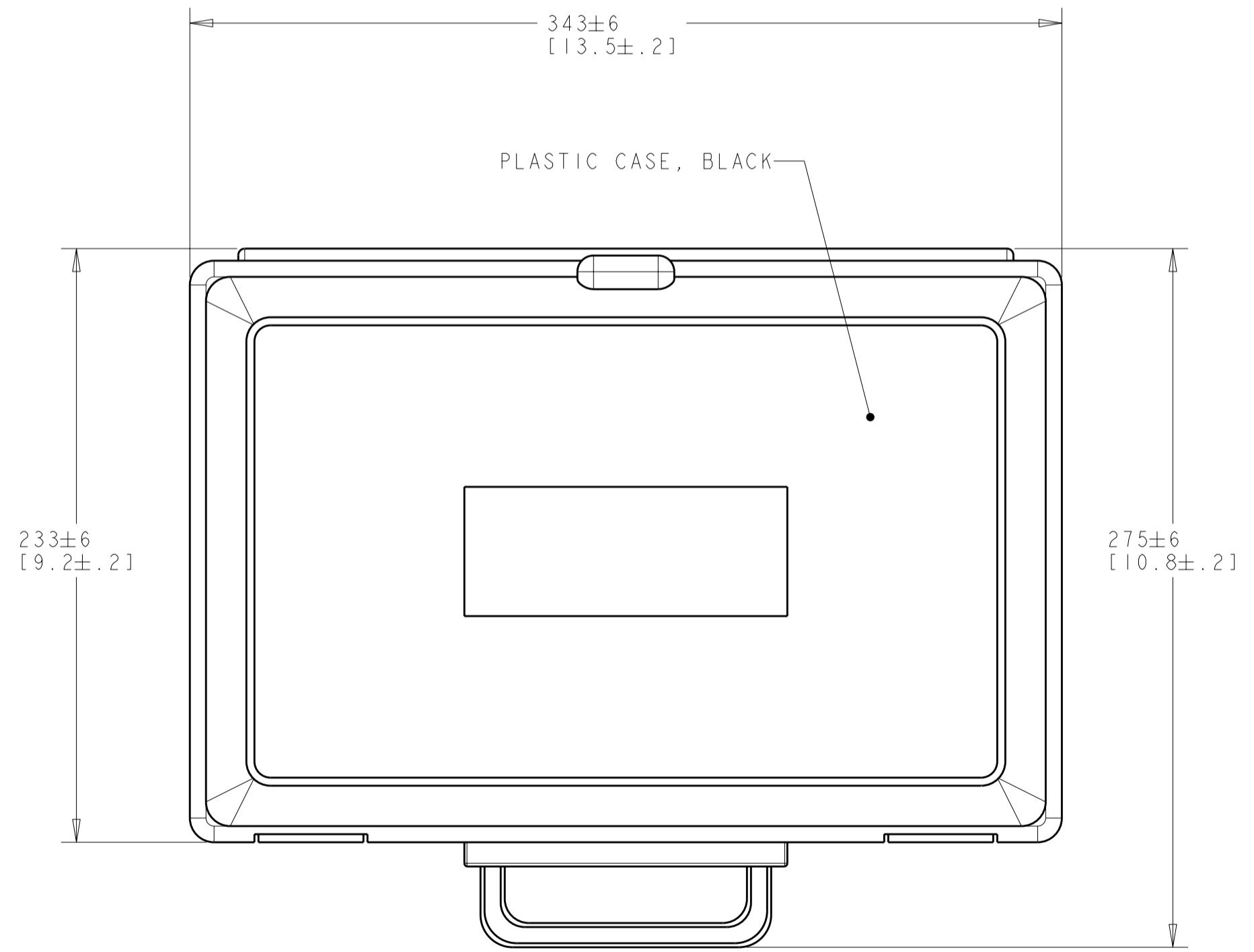
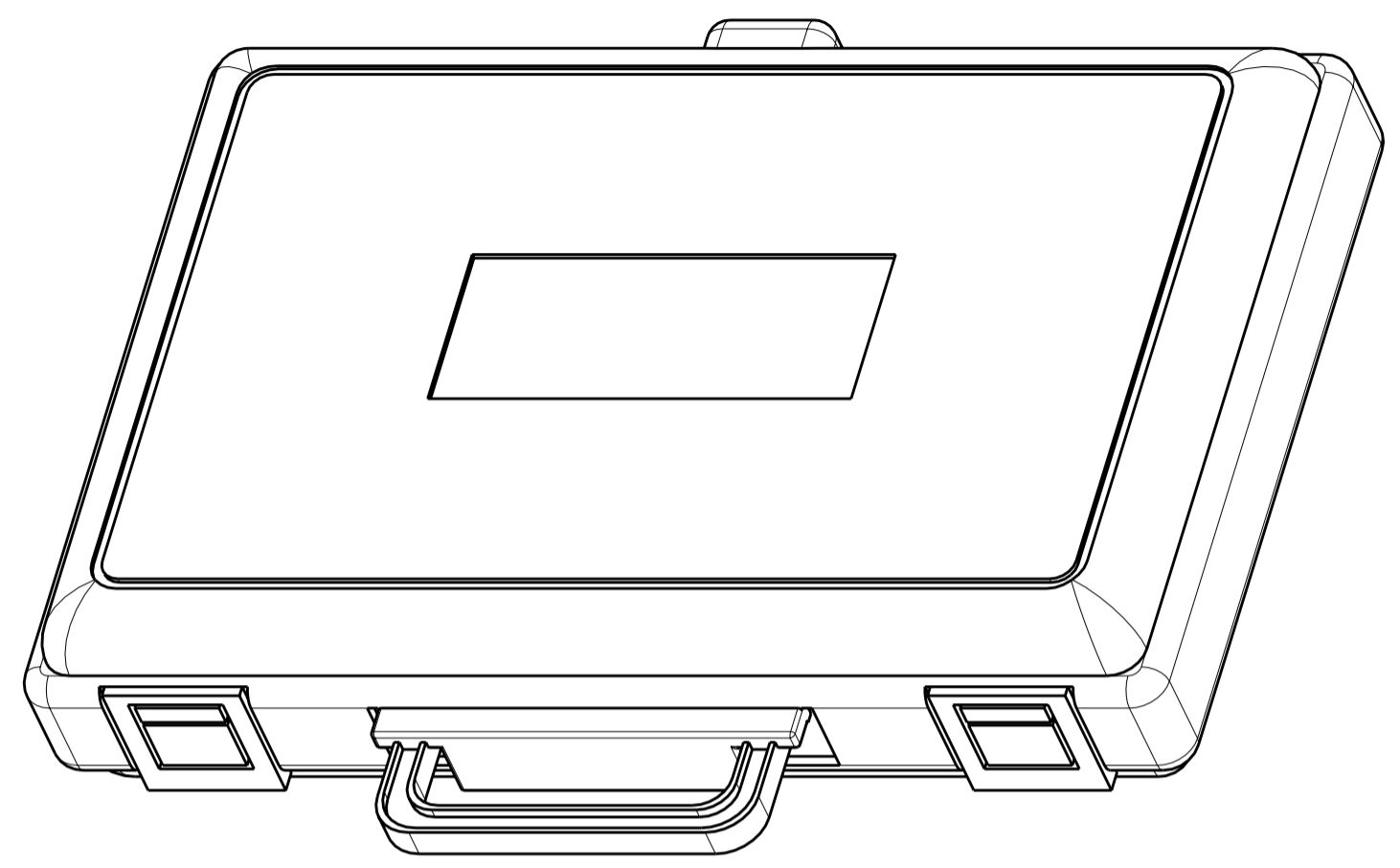
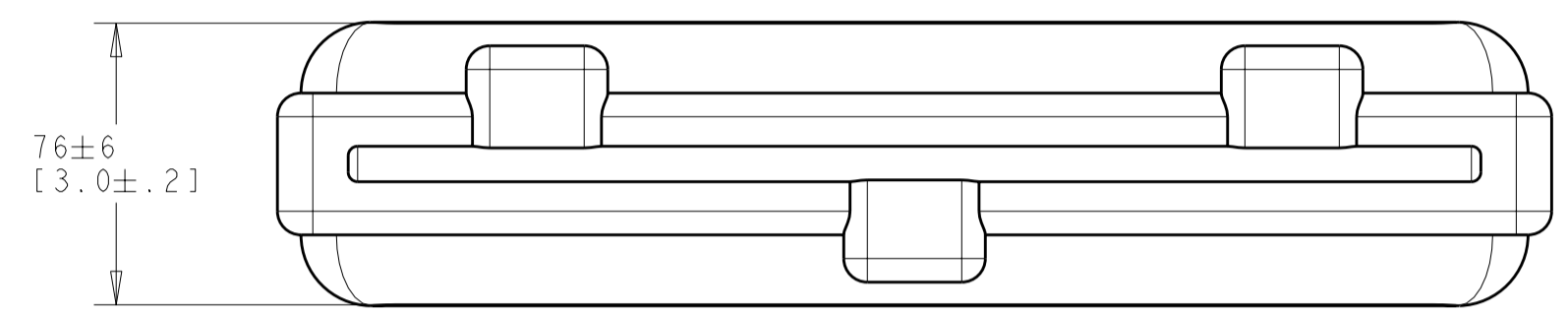


THIS DRAWING IS UNPUBLISHED. RELEASED FOR PUBLICATION .19
 © COPYRIGHT 19 BY AMP INCORPORATED. ALL RIGHTS RESERVED.

LOC	DIST	REVISIONS					
CE	00	F	LTR	DESCRIPTION	DATE	DWN	APVD
		I		NPR 05-765	14NOV2005	BB	DK
		A		REVISE PER ECR-06-007845	07APR2006	BB	DK
		B		REVISE PER ECR-07-001527	19FEB2007	BB	DK



- 1828868-1 INCLUDES LC TO LC SIMPLEX CABLE ASSEMBLY (2), LC TO SC SIMPLEX CABLE ASSEMBLY (2), 62.5/125 MANDREL (2), AND DUPLEX CLIPS (6)
- 1828868-2 INCLUDES LC TO LC SIMPLEX CABLE ASSEMBLY (2), LC TO ST SIMPLEX CABLE ASSEMBLY (2), 62.5/125 MANDREL (2), AND DUPLEX CLIPS (6).
- 1828868-3 INCLUDES LC TO LC CABLE ASSEMBLY (4), 62.5/125 MANDREL (2), AND DUPLEX CLIPS (6).

OBSOLETE	LC SIMPLEX	1828868-6
OBSOLETE	ST SIMPLEX	1828868-5
OBSOLETE	SC SIMPLEX	1828868-4
	LC	1828868-3
	ST SIMPLEX	1828868-2
	SC SIMPLEX	1828868-1
TEST EQUIPMENT CONNECTION		PART NUMBER

THIS DRAWING IS A CONTROLLED DOCUMENT FOR AMP INCORPORATED. IT IS SUBJECT TO CHANGE AND THE CONTROLLING ENGINEERING ORGANIZATION SHOULD BE CONTACTED FOR THE LATEST REVISION.		DWN B. BRIGGS 14NOV2005	AMP AMP Incorporated Harrisburg, PA 17105-3608
DIMENSIONS: mm [INCHES]		CHK D. KIRSCH 14NOV2005	
TOLERANCES UNLESS OTHERWISE SPECIFIED: 0 PLC ±- 1 PLC ±- 2 PLC ±- 3 PLC ±- 4 PLC ±- ANGLES ±- FINISH -		APVD S. BUCHTER 14NOV2005	NAME LC TEST CABLE KIT, 62.5/125um
MATERIAL -		PRODUCT SPEC - APPLICATION SPEC - WEIGHT -	SIZE A2
		CUSTOMER DRAWING	CAGE CODE 00779
			DRAWING NO 1828868
			SCALE NTS
			SHEET 1
			OF 1
			REV B