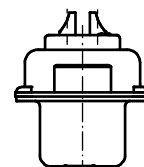
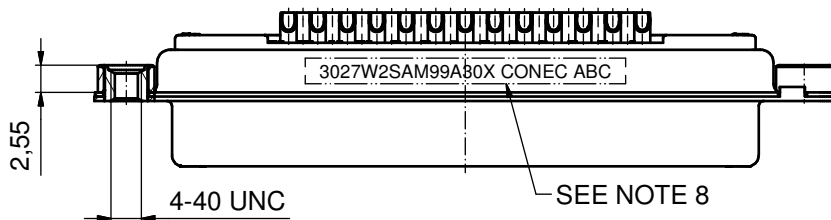
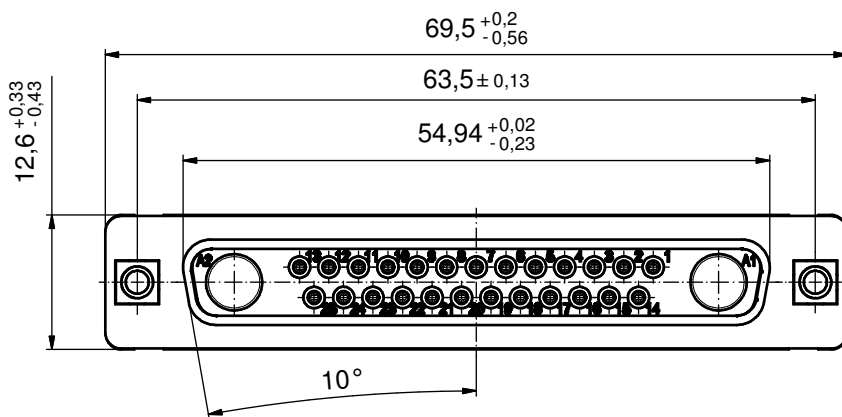
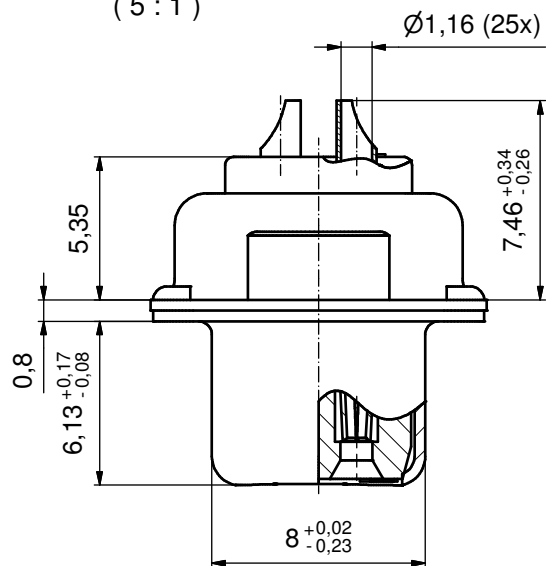


(5:1)



NOTES:

1. METALSHELLS: STEEL; min. 315µin TIN over 40-80µin NICKEL
2. INSULATORS: PBT GF UL 94 V-0; GREEN
3. SIGNAL CONTACTS: COPPER ALLOY  
PLATING: GOLD FLASH over NICKEL  
SOLDER CUP ACCEPTS CABLE AWG 20
4. NO CONTACTS ON POS. A1 + A2
5. THREADED INSERTS: COPPER ALLOY; min. 200µin TIN over 80µin NICKEL
6. COLLARS: COPPER ALLOY; min. 200µin TIN over 80µin NICKEL
7. MAXIMUM TORQUE VALUE FOR THREAD: 6 in.L.B
8. CONNECTOR IS PART MARKED: 3027W2SAM99A30X CONEC ABC

RoHS compliant

THIS DRAWING MAY NOT BE COPIED OR REPRODUCED IN ANY WAY, AND MAY NOT BE PASSED ON TO A THIRD PARTY WITHOUT WRITTEN PERMISSION. OWNERSHIP AND COPYRIGHT OF CONEC GmbH  DO NOT ALTER CAD DRAWING BY HAND	tolerance		dim. in mm	scale: 2:1 (5:1)		
				material: SEE NOTES		
	drawn	15.04.15	Henneboel		title: <b>D-SUB COMBINATION FEMALE</b> 27W2S SOLDER CUP with threaded insert	
	appd.	15.04.15	Lehmenkühler			
	norm					
	d-old				dwg no:	DIN-A3
a	Original			13K1A4948		
rev.	description			date	name	part no:

sh: 1