

## Surge protection plug - UFBK-M 2-PE- 48AC-ST - 2817068


Please be informed that the data shown in this PDF Document is generated from our Online Catalog. Please find the complete data in the user's documentation. Our General Terms of Use for Downloads are valid (<http://phoenixcontact.com/download>)



Protective plug UFBK-M with two conductor protection in floating signal circuits. Nominal voltage: 48 V AC



### Key commercial data

Packing unit	1 pc
GTIN	 4 017918 129835
Weight per Piece (excluding packing)	43.64 GRM
Custom tariff number	85363010
Country of origin	Germany

### Technical data

#### Dimensions

Horizontal pitch	1 Div.
------------------	--------

#### Ambient conditions

Ambient temperature (operation)	-40 °C ... 80 °C
Degree of protection	IP20

#### General

Housing material	PA
Inflammability class according to UL 94	V2
Arrester can be tested with TT-Tester from software version:	From SW rev. 6.00
Arrester can be tested with CHECKMASTER from software version:	From SW rev. 1.00

#### Protective circuit

Nominal voltage $U_N$	48 V AC
Nominal current $I_N$	2 A

## Surge protection plug - UFBK-M 2-PE- 48AC-ST - 2817068

### Technical data

#### Protective circuit

Operating effective current $I_C$ at $U_C$	100 $\mu$ A
Nominal discharge current $I_n$ (8/20) $\mu$ s (Core-Core)	10 kA
Nominal discharge current $I_n$ (8/20) $\mu$ s (Core-Earth)	10 kA
Output voltage limitation at 1 kV/ $\mu$ s (Core-Core) static	< 1.8 $U_{max}$
Output voltage limitation at 1 kV/ $\mu$ s (Core-Earth) static	$\leq$ 550 V
Response time $t_A$ (Core-Core)	$\leq$ 1 ns
Response time $t_A$ (Core-Earth)	$\leq$ 100 ns
Resistance in series	< 100 m $\Omega$ (Path 1-3)
	< 100 m $\Omega$ (Path 2-4)

#### Connection data

Connection method	Screw connection
Screw thread	M3
Stripping length	8 mm
Conductor cross section stranded min.	0.2 mm <sup>2</sup>
Conductor cross section stranded max.	2.5 mm <sup>2</sup>
Conductor cross section solid min.	0.2 mm <sup>2</sup>
Conductor cross section solid max.	4 mm <sup>2</sup>
Conductor cross section AWG/kcmil min.	24
Conductor cross section AWG/kcmil max	12

### Classifications

#### eCl@ss

eCl@ss 4.0	27140201
eCl@ss 4.1	27130801
eCl@ss 5.0	27130801
eCl@ss 5.1	27130801
eCl@ss 6.0	27130807

#### ETIM

ETIM 2.0	EC000943
ETIM 3.0	EC000943
ETIM 4.0	EC000943
ETIM 5.0	EC000943

#### UNSPSC

UNSPSC 6.01	30212010
-------------	----------

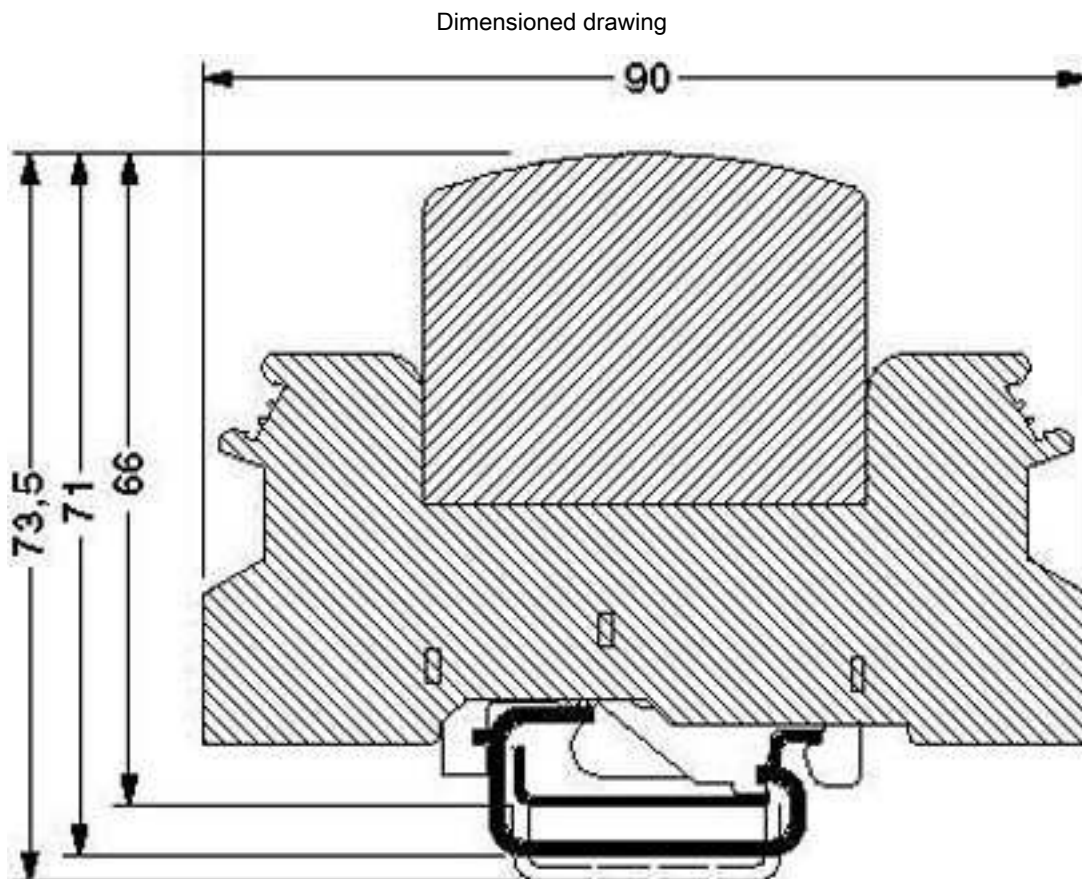
# Surge protection plug - UFBK-M 2-PE- 48AC-ST - 2817068

## Classifications

### UNSPSC

UNSPSC 7.0901	39121610
UNSPSC 11	39121610
UNSPSC 12.01	39121610
UNSPSC 13.2	39121620

## Drawings



# Surge protection plug - UFBK-M 2-PE- 48AC-ST - 2817068

Circuit diagram

