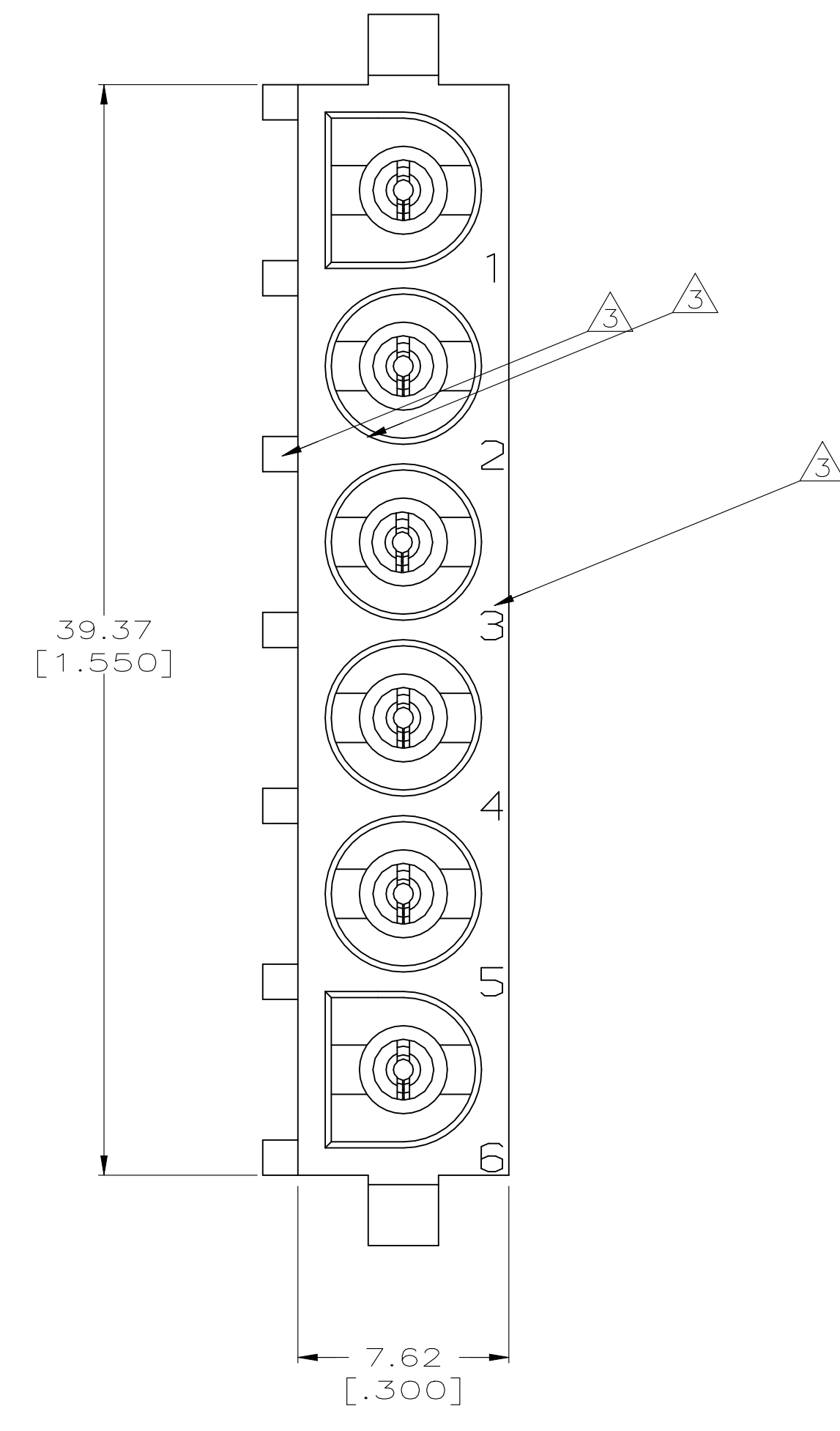
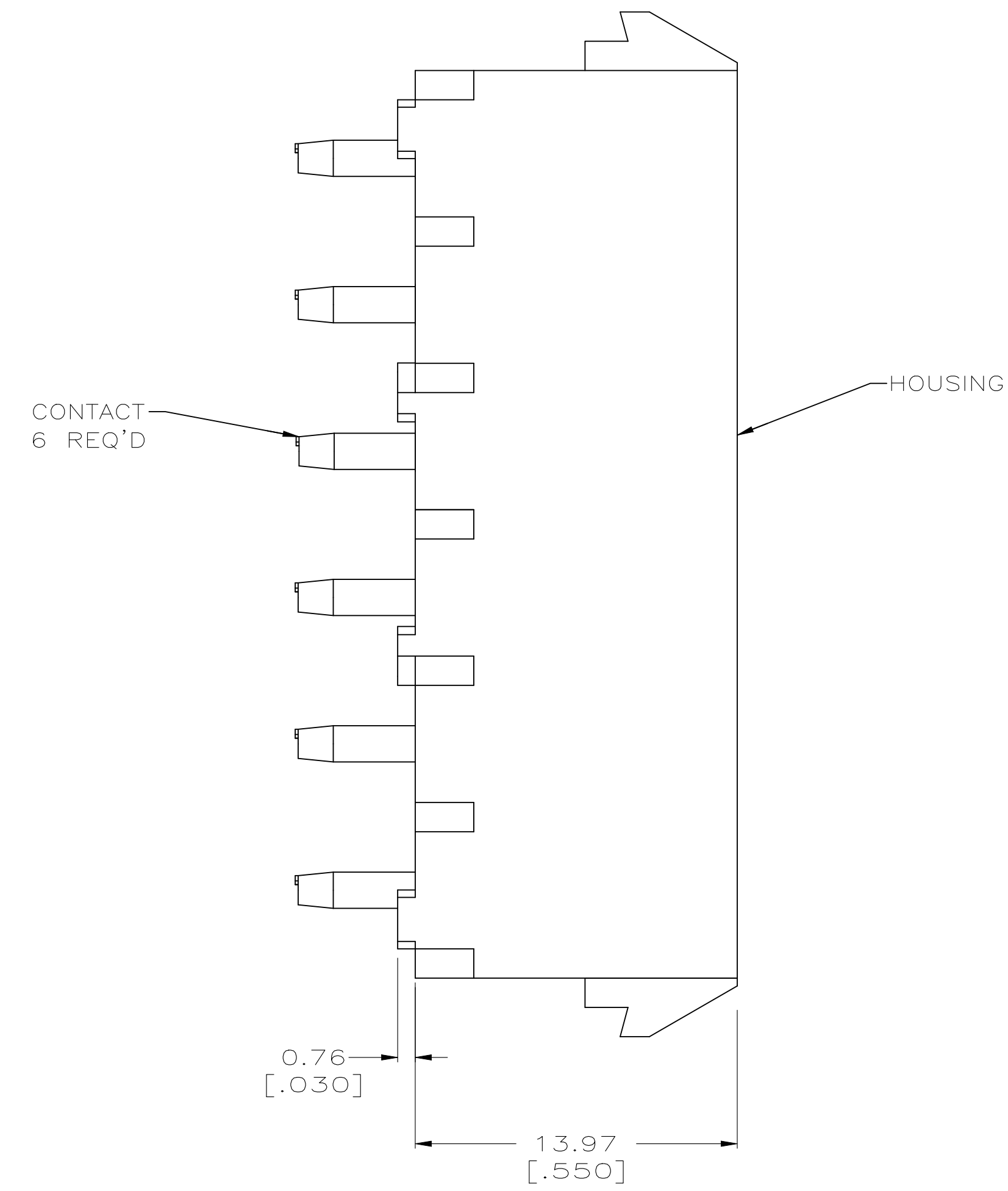
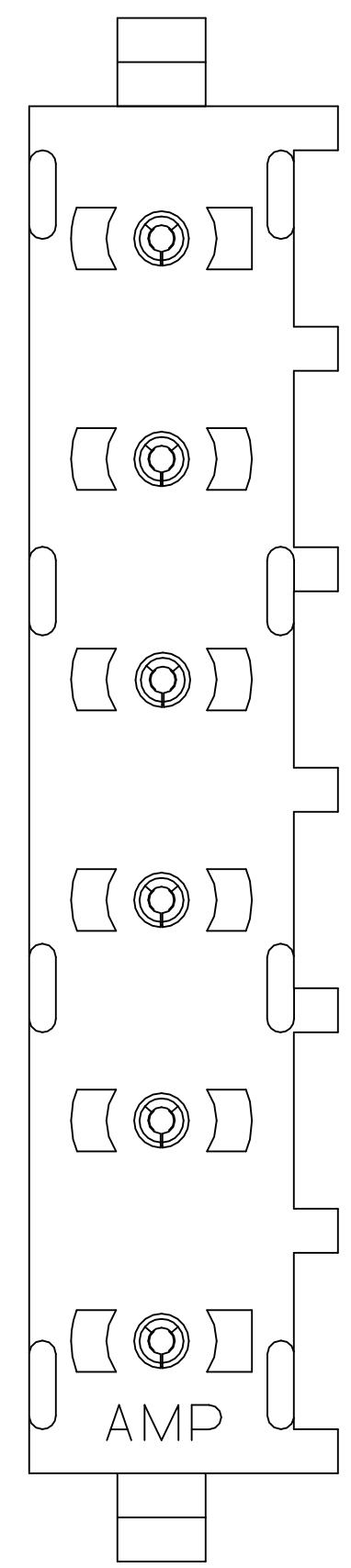
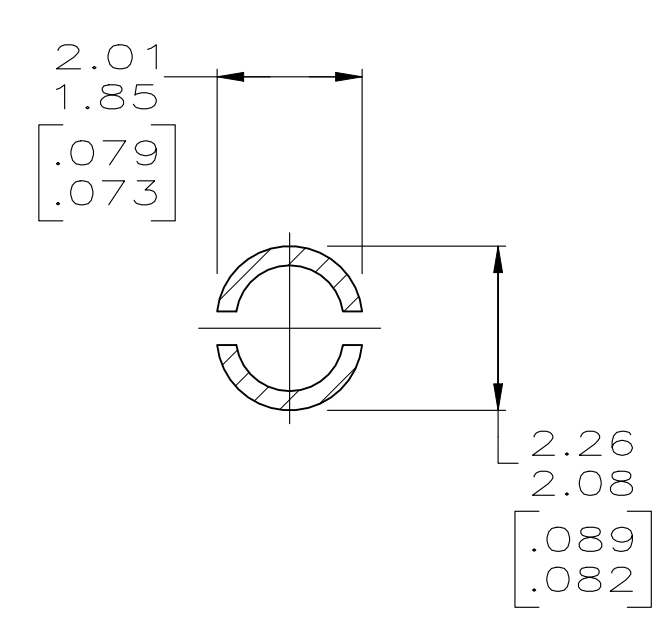
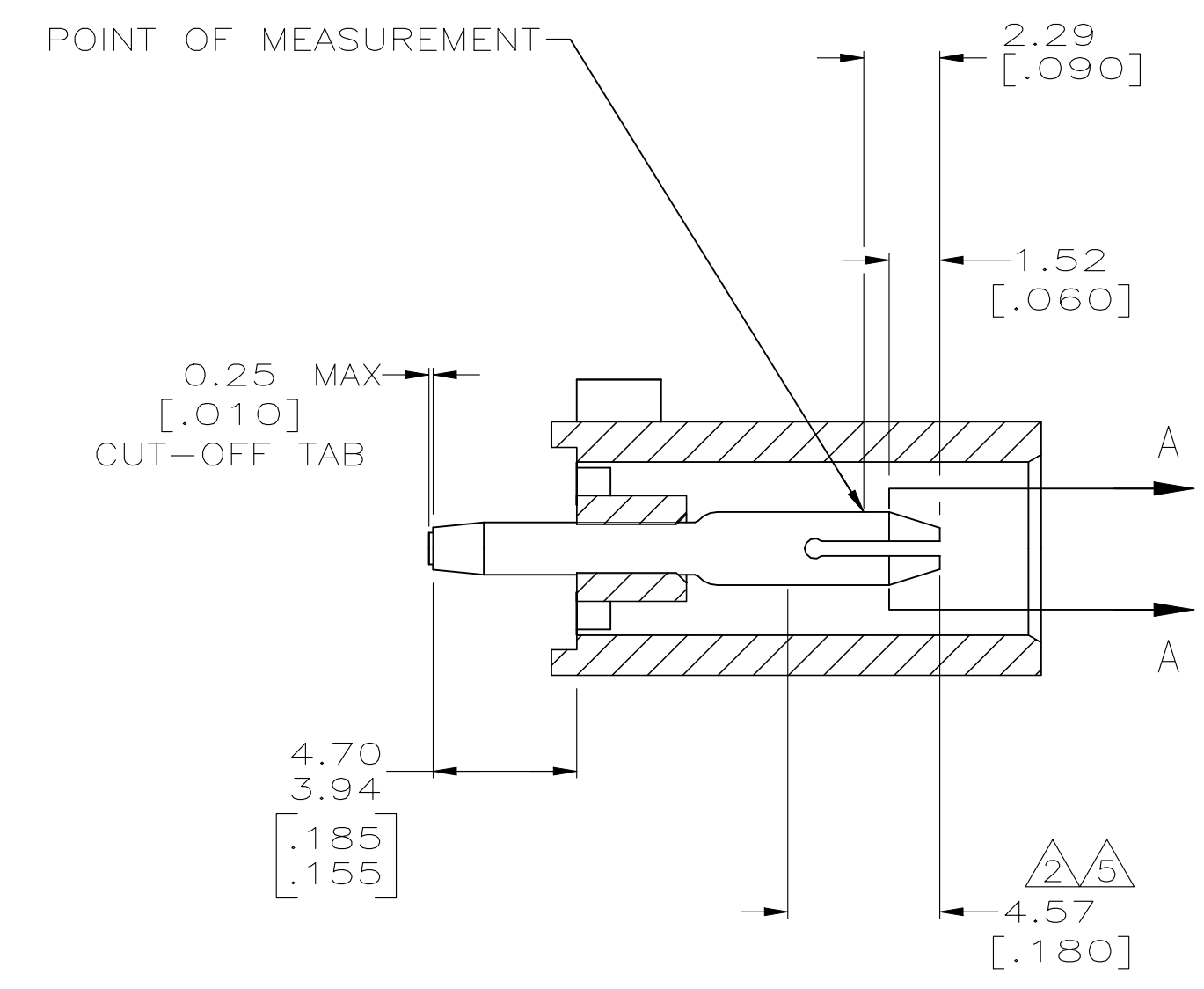


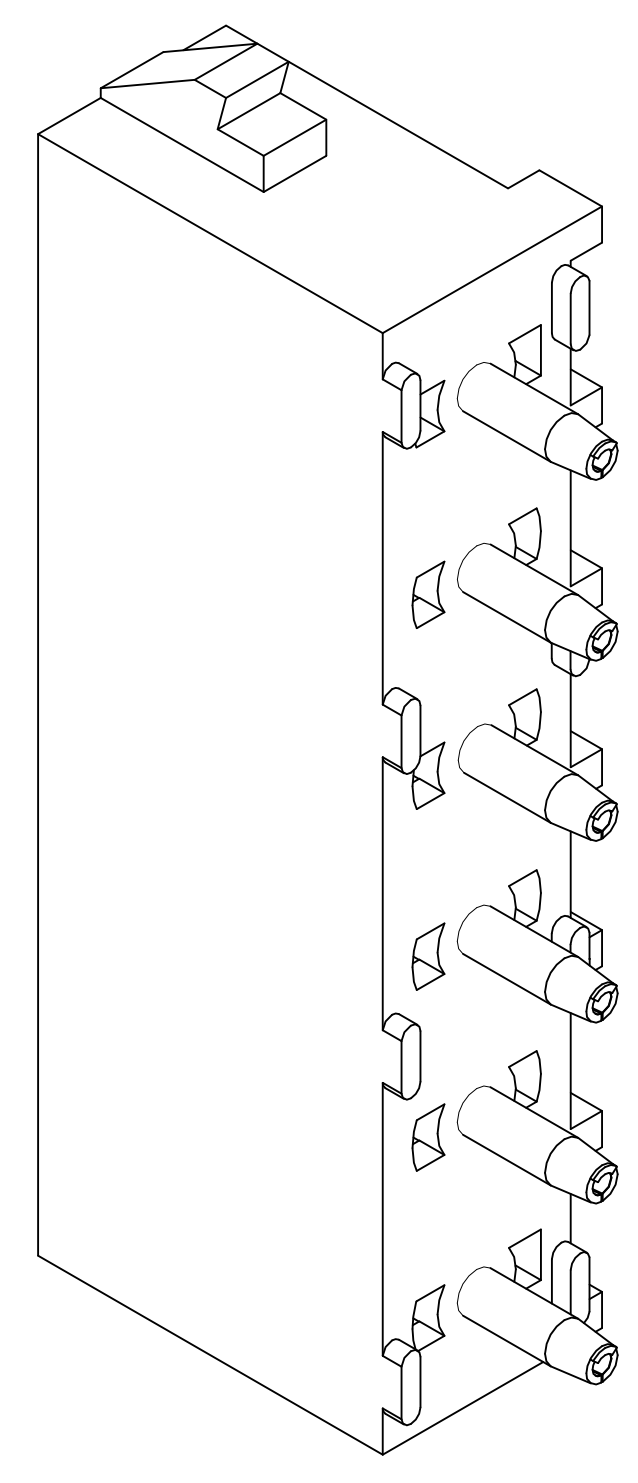
REVISIONS					
REV	DATE	DESCRIPTION	BY	CHK	APP'D
1	22JUL2022	REVISD PER ECR-21-118222	AVN	VS	
2	15JAN10	REVISD PER ECO-10-000443	KK	AEG	



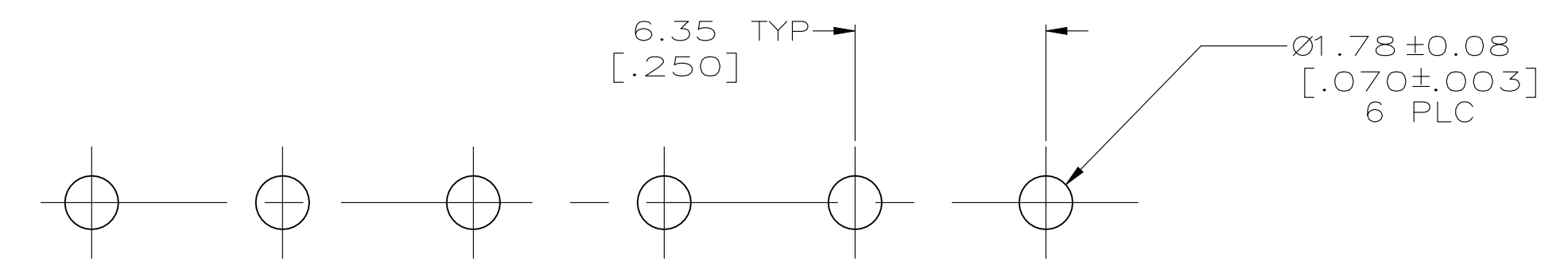
- PARTS COMPLY TO AMP SOLDERABILITY SPECIFICATION 109-11-3.
- CONTACT IS PLATED OVERALL WITH 0.00127 [.000050] NICKEL, THEN 0.00076 [.000030] GOLD OVER CONTACT LENGTH INDICATED AND MATTE TIN LEAD ON SOLDER TAIL END.
- CIRCUIT IDENTIFICATION CHARACTERS ARE ADJACENT TO THE INDICATED CAVITIES, BUT LOCATION AND ORIENTATION MAY DIFFER FROM PRINT.
- DIMENSIONS IN BRACKETS ARE IN INCHES.
- CONTACT IS PLATED OVERALL WITH 0.00127 [.000050] NICKEL, THEN 0.00076 [.000030] GOLD OVER CONTACT LENGTH INDICATED AND MATTE TIN ON SOLDER TAIL END.
- OBsolete PARTS: OBsolete CIS STREAMLINING PER D.RENAUD/D.SINISI
- DIMENSIONS SHOWN REPRESENT PRODUCT IN DRY CONDITION. ADDITIONAL 2% GROWTH DUE TO END USE LOCATION MOISTURE ABSORPTION MAY OCCUR AND SHOULD BE ACCOUNTED FOR.



SECTION A-A
SCALE 10:1

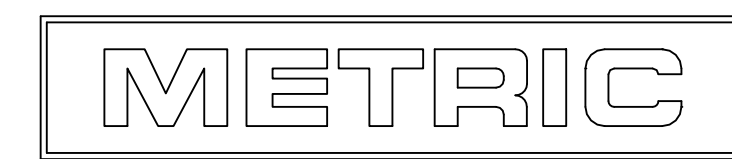


3-DIMENSIONAL MODEL NTS



RECOMMENDED MOUNTING HOLE PATTERN FOR 1.57 [.062] THICK P.C. BOARD

6 OBSOLETE	PHOSPHOR BRONZE, GOLD	NYLON,UL94V-2,NATURAL	-641832-3-
	PHOSPHOR BRONZE, GOLD	NYLON,UL94V-2,NATURAL	-641832-2-
	PHOSPHOR BRONZE, PRE-TIN	NYLON,UL94V-2,NATURAL	641832-1
PIN CONTACT MATERIAL AND FINISH		HOUSING MATERIAL	PART NUMBER



THIS DRAWING IS A CONTROLLED DOCUMENT.		DIN R LEWIS 10-05-98	TE Connectivity
DIMENSIONS: mm [INCHES]		CHK R SWING 10-05-98	
TOLERANCES UNLESS OTHERWISE SPECIFIED:		APP'D M TRULL 10-05-98	NAME
0 PLC ± -			PIN HEADER ASSEMBLY, 6 CIRCUIT
1 PLC ± -			UNIVERSAL MATE-N-LOK™
2 PLC ± 0.13 [.005] [4.54]			APPLICATION SPEC
3 PLC ± -			SIZE
4 PLC ± -			WEIGHT
ANGLES ± -			0.000000
FINISH			SCALE 5:1
SEE TABLE			SHEET 1 of 1
			REV 1.2