

ORDERING CODE: **FLH - MXX - XX - X XX**

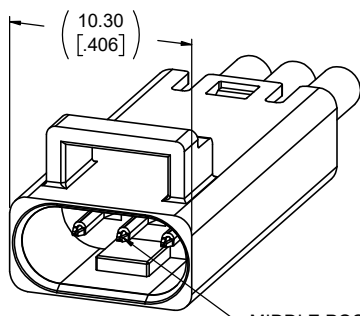
**FLH SERIES**

**CABLE CONFIGURATION**  
SEE TABLE 1

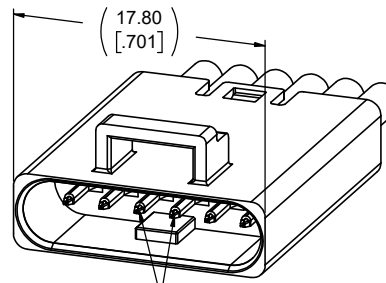
**HOUSING COLOR**  
00 = BLACK HOUSING  
W0 = WHITE HOUSING

**WIRE GAUGE**  
8 = 18 AWG  
0 = 20 AWG  
2 = 22 AWG

**WIRE LENGTH 'L'**



MIDDLE POSITION VACANT FOR 2 POSITION CONNECTOR



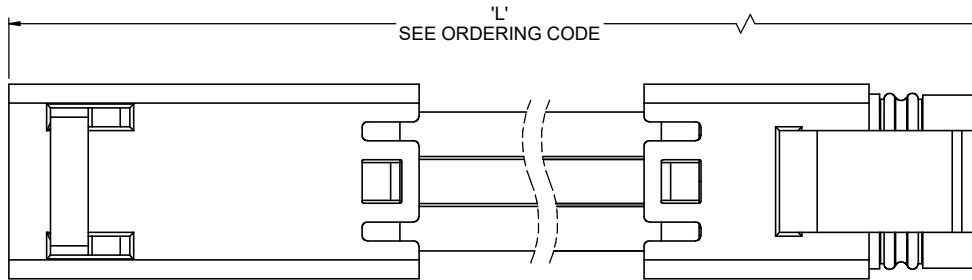
MIDDLE 2 POSITIONS VACANT FOR 4 POSITION CONNECTOR

SOCKET CONNECTORS NOT SHOWN

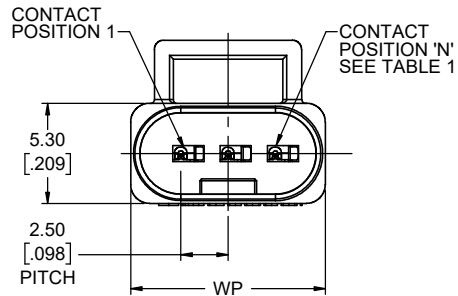
REVISIONS			
REV	DESCRIPTION, ECN, EAR NO.	DATE	APP'D
B	PROPOSAL DWG - REV PER EAR 15058	FEB15/22	S.M.
C	PRODUCT DWG - NEW PER EAR 15058	JUL25/22	S.M.
D	PRODUCT DWG - REV PER EAR 15058	AUG09/22	S.M.

CODE	WIRE LENGTH 'L'
10 TO 99	LENGTH IN CM
A0 TO A9	1 METER + 0 TO 9 DECIMETERS
B0 TO B9	2 METER + 0 TO 9 DECIMETERS
C0 TO C9	3 METER + 0 TO 9 DECIMETERS
D0 TO D9	4 METER + 0 TO 9 DECIMETERS
E0 TO E9	5 METER + 0 TO 9 DECIMETERS
F0 TO F9	6 METER + 0 TO 9 DECIMETERS
G0 TO G9	7 METER + 0 TO 9 DECIMETERS
H0 TO H9	8 METER + 0 TO 9 DECIMETERS
J0 TO J9	9 METER + 0 TO 9 DECIMETERS
K0 TO K9	10 METER + 0 TO 9 METERS
L0 TO L9	20 METER + 0 TO 9 METERS
M0 TO M9	30 METER + 0 TO 9 DECAMETERS

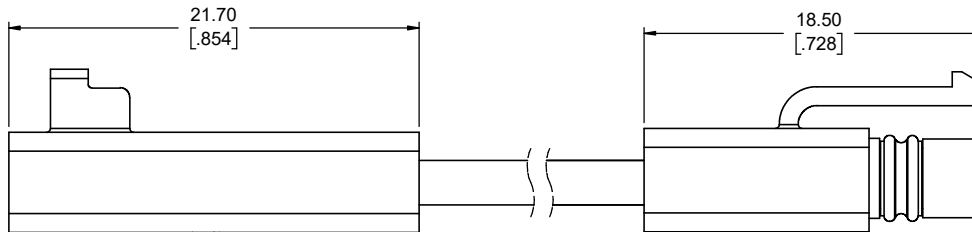
EXAMPLE: 75 CM = 75, 25 M = L5, 80 M = M5



3 POSITION CABLE ASSEMBLY SHOWN

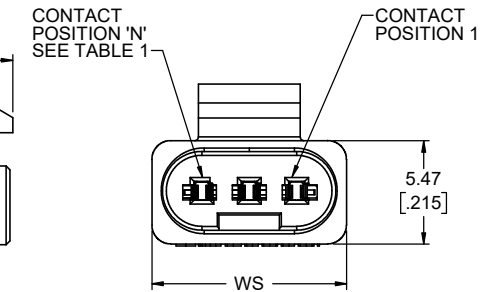


SEE TABLE 1



NOTES:

- MATERIALS: ALL MATERIALS ARE RoHS COMPLIANT PER EU DIRECTIVE 2011/65/EU & AMENDMENTS
  - HOUSING: ENGINEERING THERMOPLASTIC, UL FLAMMABILITY RATING 94V-0, COLOR PER ORDERING CODE
  - SEALS: SILICONE RUBBER, COLOR BLACK
  - WIRE: TINNED COPPER CONDUCTOR, PVC INSULATION FOR 18, 20 & 22 AWG WIRES, COLOR BLACK
- ELECTRICAL CHARACTERISTICS:
  - CURRENT RATING: 7A (18 AWG OR 1mm<sup>2</sup>) OR 5A (20 AWG OR 0.5 mm<sup>2</sup>) OR 3A (22 AWG OR 0.34 mm<sup>2</sup>) PER CONTACT
  - DIELECTRIC WITHSTANDING VOLTAGE: 1500 VAC
  - INSULATION RESISTANCE: 500 MEGAOHMS
  - OPERATING TEMPERATURE: -40°C TO +105°C
- ENVIRONMENTAL PROTECTION: IP67 PER IEC 60529 IN MATED CONDITION.



CABLE CONFIGURATION		NO. CONTACTS 'N'	WIDTH 'WP'	WIDTH 'WS'
STRANDED WIRE	SOLID WIRE			
M2C	M2P	2	10.30 [406]	10.30 [406]
M3C	M3P	3	10.30 [406]	10.30 [406]
M4C	M4P	4	17.80 [701]	17.80 [701]
M6C	M6P	6	17.80 [701]	17.80 [701]



UNLESS SPECIFIED OTHERWISE	DRAWN	S.MUGAN	JAN22/22
PRIMARY UNITS MILLIMETERS	CHECKED	M.PAHULJE	FEB04/22
SECONDARY UNITS INCHES	M.E. APP'D		
REFERENCE IN PARENTHESES	Q.A. APP'D		
GENERAL TOLERANCES	DWG APPR.		
1 DECIMAL PLACE	ENG. REL. NO.		
2 DECIMAL PLACES ±0.10	REF.		
3 DECIMAL PLACES	THIRD ANGLE PROJECTION		
ANGULAR DEGREES	DO NOT SCALE DRAWING		

**Amphenol Canada Corp.**  
Commercial Products

FLH SERIES, MINI SEALED 2.5mm PITCH PLUG / RECEPTACLE CABLE ASSEMBLY, RoHS COMPLIANT

DWG. NO. **P-FLH-MXX-XX-XXX** REV **D**

CODE ID NO. 03554 DWG SIZE: X SCALE: 5:1 SHEET 1 OF 1