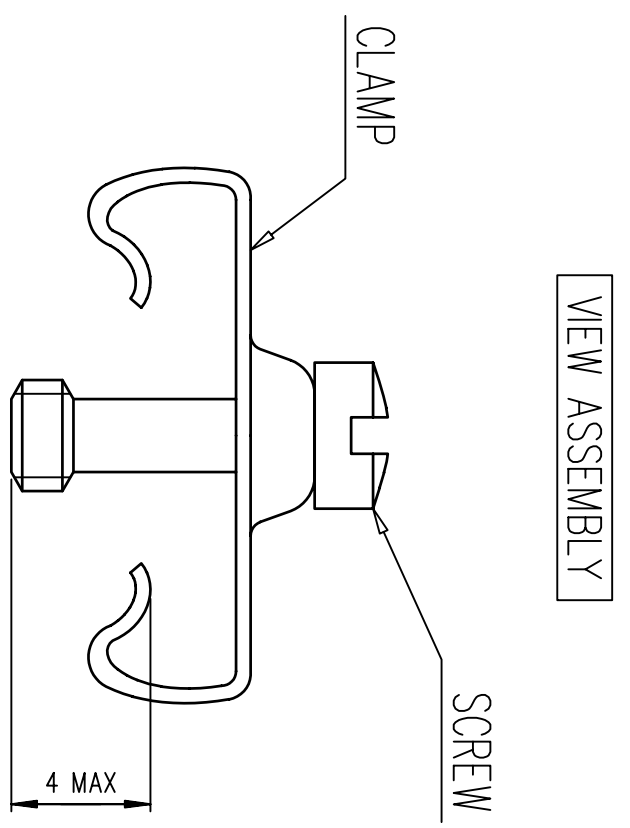
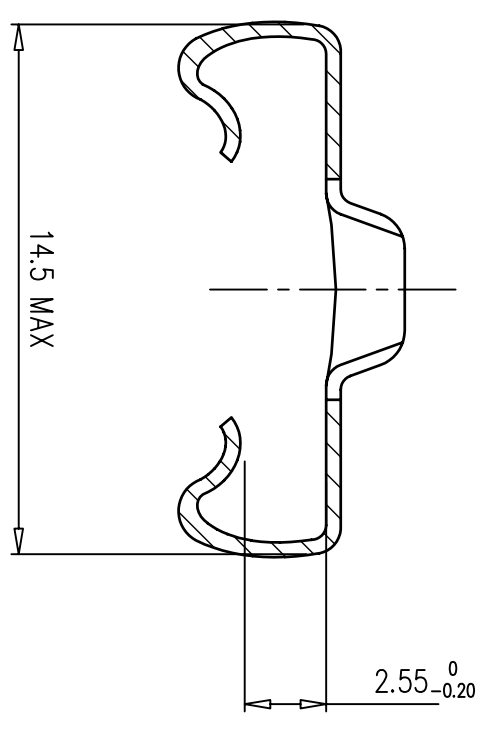
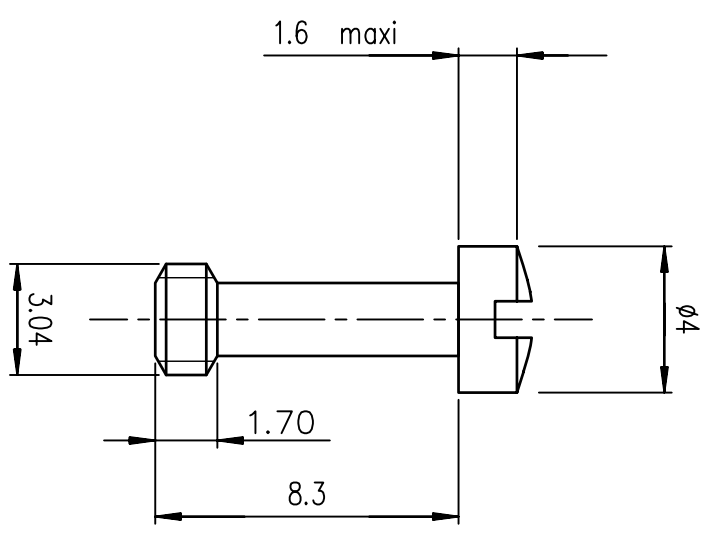


NOTES
 Pieces assembly
 Packaging : per 100 piece
 Material : steel
 Plating : tin
 Thread : UNC 4.40



VIEW ASSEMBLY

Part number **863009ATLF**

European Views

surface	ISO 1302	tolerance std	ISO 406 ISO 1101	projection	mm
ANGULAR		TOLERANCES UNLESS OTHERWISE SPECIFIED		size	Scale
LINEAR	0.X	±0.1	±0.1	A3	5
Product family	0.XXX	±0.1	ECN	ELX-H-011686	

Dr	JARRY	1999/07/05	ANGULAR	0.X	±0.1	size	A3	Scale	5
Eng	PESSON	1999/07/05	LINEAR	0.XXX	±0.1	ECN	ELX-H-011686		
Chr	LEGARE	1999/07/05	Product family	D-SUB Spec ref -					
Appr	LEGARE	1999/07/05							

www.fciconnect.com		MALE SCREW LOCKS		Rev.	
FCI logo		9 a 37 pts (P et S)		C01-8655-0713	
catalog no		-		CUSTOMER sheet 1 of 1	

NOTE:ROHS INFORMATIONS
 - The "LF" products meet European union Directives and other country regulations as described in GS-22-008.
 - Plating Sn (pure bright) over copper
 - Packaging spec: see GS-14-920

rev	ecn no	dr	date
A	-	JAR	1999/07/05
B	LS05-0026	MPE	2005/07/08
C	LS06-0097	LGO	2006/07/28
D	LS09-0006	PCR	2009/01/08
E	ELX-H-011683	PK	2012/05/09
F	ELX-H-011686	PK	2012/05/21