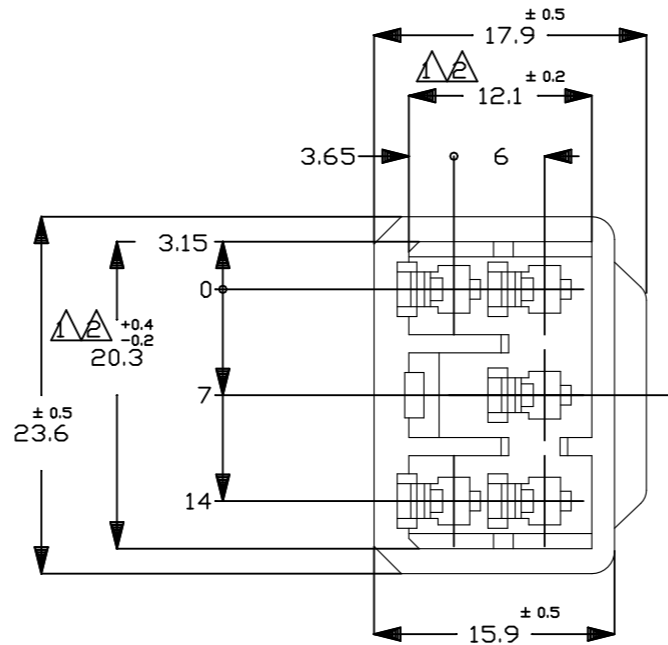
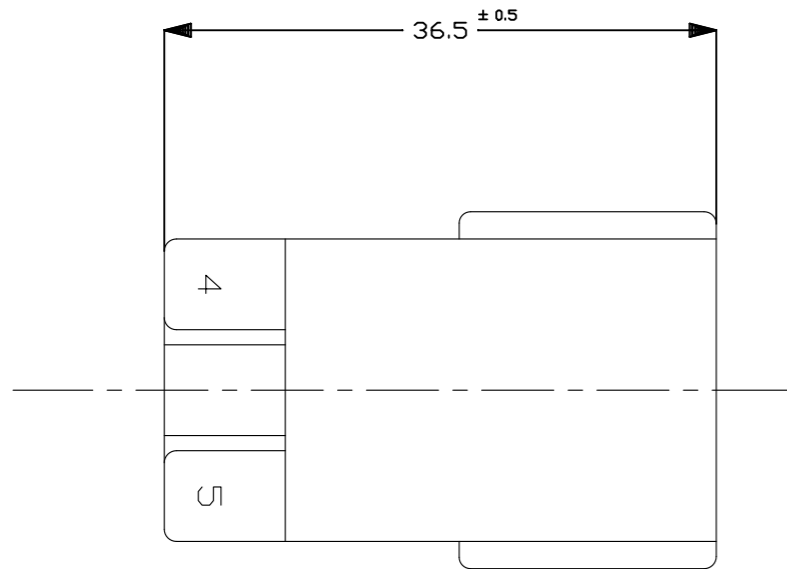


P	LTR	DESCRIPTION	DATE	DWN	APVD
	B1	REVISED PER ECR-23-165252	30JAN2023	RK	MT

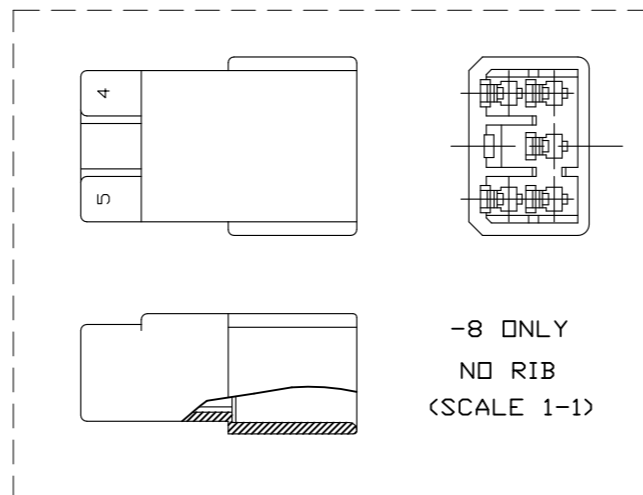
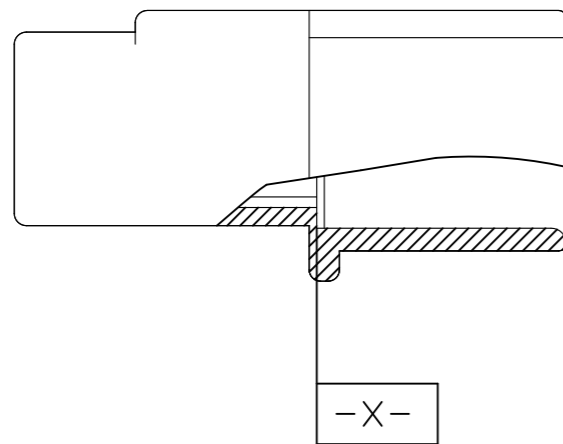


NOTES;

- △ TO BE MEASURED WITH IN 2mm FROM □
- △ IN COUPLING WITH THE PLUG HOUSING MATING SATISFIES FUNCTION
- 3 APPLIED CONTACT P/N 172777,172779
- 4 PRODUCT SPEC No. 108-5166
- 5 IN COUPLING WITH THE PLUG HOUSING MATING FORCE 29.4N(3Kgf)MAX. WITHOUT REC CONTACT

注；

- △ □ 面より2mmの範囲で測定
- △ 相手ハウジングと所定の機能を満たして嵌合できること
- 3 内装するタブコンタクト型番172777,172779他
- 4 製品規格 NO.108-5166
- 5 相手ハウジングとの嵌合力は29.4N(3Kgf)以下
但しタブコンタクトは含まない



172504-8	自然色(NATURAL)
OBSOLETE 172504-7	黄(YELLOW)
OBSOLETE 172504-6	灰(GRAY)
172504-5	青(BLUE)
172504-4	緑(GREEN)
OBSOLETE 172504-3	茶(BROWN)
172504-2	黒(BLACK)
172504-1	自然色(NATURAL)
番号(PN)	色(COLOR)

THIS DRAWING IS A CONTROLLED DOCUMENT.

DIMENSIONS:	TOLERANCES UNLESS OTHERWISE SPECIFIED:
mm	
	0 PLC ± -
	1 PLC ± -
	2 PLC ± -
	3 PLC ± -
	4 PLC ± -
	ANGLES ± -
	FINISH ± -

MATERIAL (NYLON)

一般公差 (GENERAL TOLERANCE)

10以下: ±0.2
10~30: ±0.25
30~100: ±0.3
角度 ±3°

DWN	K.YUASA	10/12'92
CHK	A.TOMITA	10/12'92
APVD	A.TOMITA	10/12'92
PRODUCT SPEC	-	-
APPLICATION SPEC	-	-
WEIGHT	-	-



5 Pos. CAP HOUSING
MULTI-INTERLOCK CONN. (MIC-MKII)

SIZE	CAGE CODE	DRAWING NO	RESTRICTED TO
A3	00779	C-172504	-
CUSTOMER DRAWING		SCALE 2:1	SHEET 1 OF 1
		REV B1	