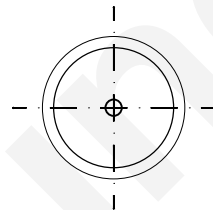
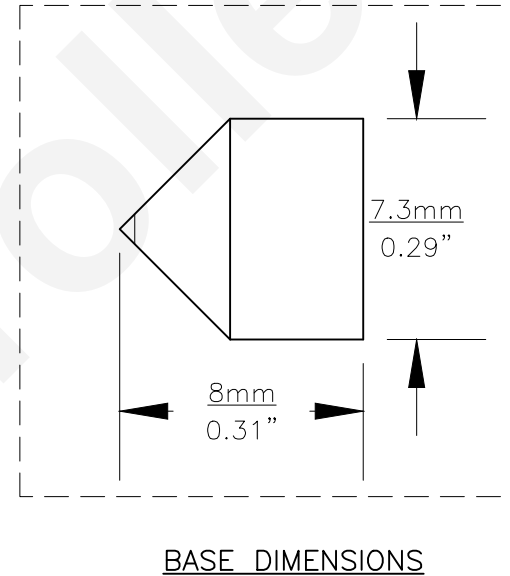
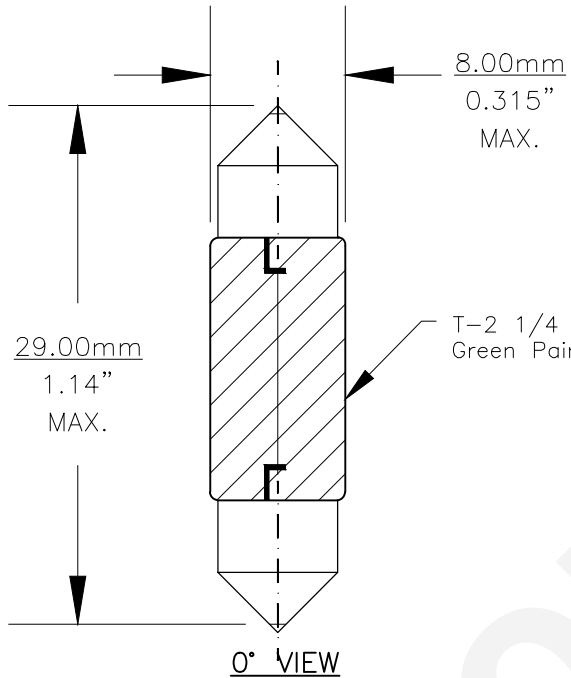




PART NO.	BASE TYPE	DESIGN VOLTS	DESIGN AMPS	MSCD	FILAMENT TYPE	AVERAGE LIFE HOURS	REVISIONS			
							REV #	DESCRIPTION	DATE	APPROVED
3021G	FESTOON CAP	12.0V	0.25±15%	2.0±30%	C-8	1000	1	ISSUED	09/03/2014	R.M.



T-2 1/4 BULB SHAPE  
Green Painted Glass



Note: Made according to SAE specifications

UNLESS OTHERWISE SPECIFIED: DIMENSIONS ARE IN INCHES TOLERANCES		CEC INDUSTRIES LTD			
DECIMALS	ANGULAR	599 BOND STREET		LINCOLNSHIRE, IL 60069	
.XX ± .05	± 0.5°				
.XXX ± .010					
FRACTIONAL	± 1/64				
DRAWN ROSE MEDINA	DATE 09/03/2014	TITLE LIGHT BULB NO. 3021G			
CHECKED		SIZE A	FSCM NO.	DWG NO. 3021G	REV 1
DESIGN		SCALE	PLOT SCALE	SHEET 1 OF 1	
MATERIAL		FILE 3021G.pdf	DRAWING NOT TO SCALE		