



Electrical Specifications

Cutoff Frequency (Fc): 1200 MHz
Passband: 1200-3000 MHz
Passband Insertion Loss : 0.5dB Max.
Passband Return Loss: 14dB Min.
Rejection1: 50 dB Min. @ 30-88 MHz
Rejection2: 55 dB Min. @ 100-164 MHz
Rejection3: 50 dB Min. @ 220-512 MHz
Power Handling: 20 W

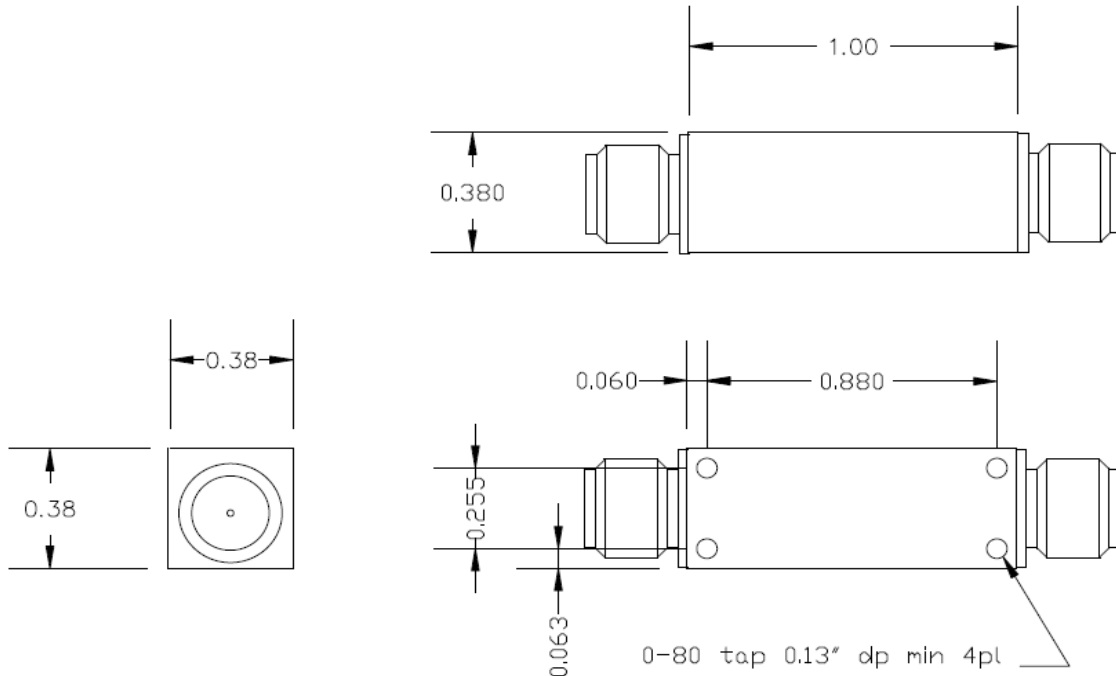
Mechanical

Connector Type: SMA(F)
Dimensions: 1.0" x 0.38" x 0.38"

Environmental

Operating Temperature: -25°C to +70°C
Storage Temperature: -60°C to +90°C
Shock: 10 G. 11ms
Vibration: 10 G. 5 to 200Hz

Outline Drawing:





Simulation Plot :

