

794012-1 ✓ ACTIVE

MATE-N-LOK | Commercial MATE-N-LOK

TE Internal #: 794012-1

Rectangular Power Connectors, Housing, Receptacle, Wire-to-Wire,  
2 Position, 5.08 mm [.2 in] Centerline, Wire & Cable, UL 94V-2,  
Commercial MATE-N-LOK

[View on TE.com >](#)



Connectors > Power Connectors > Rectangular Power > Rectangular Power Connectors



Rectangular Power Connector Type: **Housing**

Connector & Housing Type: **Receptacle**

Connector System: **Wire-to-Wire**

Number of Positions: **2**

Centerline (Pitch): **5.08 mm [.2 in]**

## Features

### Product Type Features

Rectangular Power Connector Type	Housing
Connector & Housing Type	Receptacle
Connector System	Wire-to-Wire
Sealable	No
Connector & Contact Terminates To	Wire & Cable

### Configuration Features

Number of Positions	2
Number of Rows	1

### Electrical Characteristics

Operating Voltage	250 VDC
-------------------	---------

### Contact Features

Contact Layout	Inline
Contact Retention Within Housing	Without
Contact Type	Pin

### Termination Features

Termination Method to Wire & Cable	Crimp
------------------------------------	-------

### Mechanical Attachment

Panel Mount Feature	Without
Connector Mounting Type	Cable Mount (Free-Hanging)

### Housing Features

Centerline (Pitch)	5.08 mm [.2 in]
Housing Color	Natural
Housing Material	Nylon

### Dimensions

.515 in

### Usage Conditions

Operating Temperature Range	-55 – 105 °C [-67 – 221 °F]
-----------------------------	-----------------------------

### Operation/Application

Circuit Application	Power & Signal
---------------------	----------------

### Identification Marking

Circuit Identification Feature	With
--------------------------------	------

### Industry Standards

CSA Rating	LR 16455
UL Rating	Certified, Recognized
Agency/Standard	CSA, UL
Approved Standards	UL E28476
UL Flammability Rating	UL 94V-2
Glow Wire Rating	Standard Part - Not Glow Wire

### Packaging Features

Packaging Quantity	1
Packaging Method	Package

### Product Compliance

[For compliance documentation, visit the product page on TE.com>](#)

EU RoHS Directive 2011/65/EU	Compliant
------------------------------	-----------

EU ELV Directive 2000/53/EC

Compliant

China RoHS 2 Directive MIIT Order No 32, 2016

No Restricted Materials Above Threshold

EU REACH Regulation (EC) No. 1907/2006

Current ECHA Candidate List: JUNE 2023 (235)

Candidate List Declared Against: JAN 2023 (233)

Does not contain REACH SVHC

Halogen Content

Low Halogen - Br, Cl, F, I &lt; 900 ppm per homogenous material. Also BFR/CFR/PVC Free

Solder Process Capability

Not applicable for solder process capability

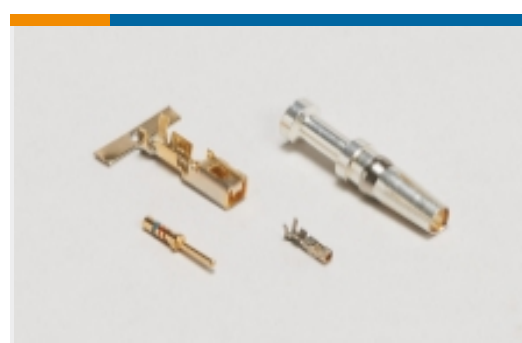
## Product Compliance Disclaimer

This information is provided based on reasonable inquiry of our suppliers and represents our current actual knowledge based on the information they provided. This information is subject to change. The part numbers that TE has identified as EU RoHS compliant have a maximum concentration of 0.1% by weight in homogenous materials for lead, hexavalent chromium, mercury, PBB, PBDE, DBP, BBP, DEHP, DIBP, and 0.01% for cadmium, or qualify for an exemption to these limits as defined in the Annexes of Directive 2011/65/EU (RoHS2). Finished electrical and electronic equipment products will be CE marked as required by Directive 2011/65/EU. Components may not be CE marked. Additionally, the part numbers that TE has identified as EU ELV compliant have a maximum concentration of 0.1% by weight in homogenous materials for lead, hexavalent chromium, and mercury, and 0.01% for cadmium, or qualify for an exemption to these limits as defined in the Annexes of Directive 2000/53/EC (ELV). Regarding the REACH Regulation, the information TE provides on SVHC in articles for this part number is based on the latest European Chemicals Agency (ECHA) 'Guidance on requirements for substances in articles' posted at this URL: <https://echa.europa.eu/guidance-documents/guidance-on-reach>

## Compatible Parts

TE Part # 1-480720-0  
02P CMNL PLUG HSG W/LOK NATLTE Part # 1-480724-0  
02P CMNL CAP HSG F/H D/L NATLTE Part # 151680  
2 WAY MATE-N-LOK SOC HSG NAT.

## Also in the Series | Commercial MATE-N-LOK



Connector Contacts(20)



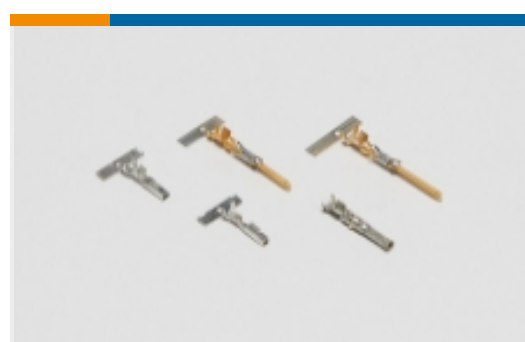
Connector Seals &amp; Cavity Plugs(1)



Crimp Wire Pins, Tabs &amp; Ferrules(2)



Insertion &amp; Extraction Tools(5)



Power Contacts(129)



Rectangular Caps & Covers(2)



Rectangular Connector Housings(11)



Rectangular Power Connectors(169)



Standard Circular Connectors(2)



Standard Rectangular Connectors(7)



Wire-to-Board Connector Contacts(1)

### Customers Also Bought



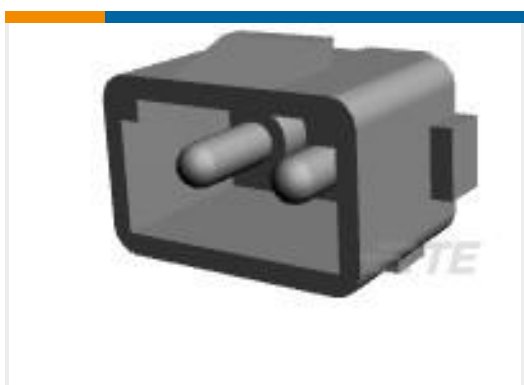
TE Part #3-640443-3  
03P MTA100 CONN ASSY GRN



TE Part #4-6609929-4  
PE0S0DHX0=C2258



TE Part #60618-4  
CMNL PIN PTPPHBZL/P



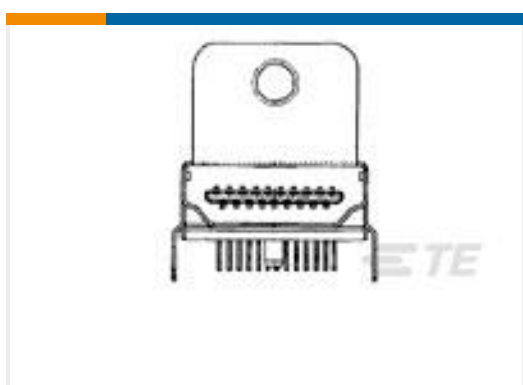
TE Part #350539-1  
02P CMNL HDR ASSY SHORT NATL



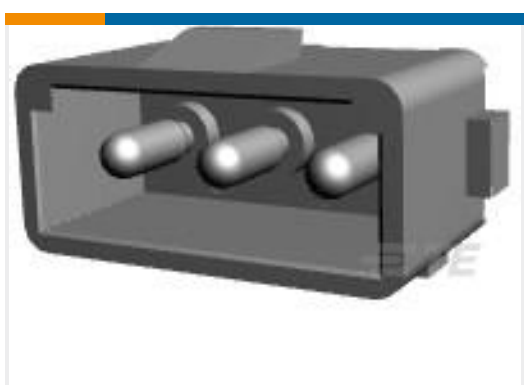
TE Part #61116-1  
CMNL PIN 24-18 PTBR



TE Part #350557-1  
MNL SOK SPECIAL .0126PTPBR



TE Part #1746679-1  
Std HDMI, RA, T/H, Panel grd, Flange



TE Part #1586532-2  
03P CMNL HDR ASSY SHORT LF



TE Part #350638-4  
MNL SOK L/P



TE Part #D5002ST22P1-F  
NTC THERMISTOR ASSEMBLY

### Documents



**Product Drawings**

**02P CMNL CAP HSG W/POS LOCK**

English

---

**CAD Files**

**3D PDF**

3D

**Customer View Model**

[ENG\\_CVM\\_CVM\\_794012-1\\_C.2d\\_dxf.zip](#)

English

**Customer View Model**

[ENG\\_CVM\\_CVM\\_794012-1\\_C.3d\\_igs.zip](#)

English

**Customer View Model**

[ENG\\_CVM\\_CVM\\_794012-1\\_C.3d\\_stp.zip](#)

English

**Customer View Model**

[ENG\\_CVM\\_794012-1\\_O.3d\\_igs.zip](#)

English

**Customer View Model**

[ENG\\_CVM\\_794012-1\\_O.3d\\_stp.zip](#)

English

**Customer View Model**

[ENG\\_CVM\\_794012-1\\_O.2d\\_dxf.zip](#)

English

**3D PDF**

English

By downloading the CAD file I accept and agree to the [Terms and Conditions](#) of use.

---

**Datasheets & Catalog Pages**

**SOFT\_SHELL\_PIN\_SOCKET\_CONNECTORS\_STANDARD\_DENSITY**

English

---

**Product Specifications**

**Application Specification**

English

---

**Product Environmental Compliance**

[MD\\_794012-1\\_040420142319\\_dmtec](#)

English

[MD\\_794012-1\\_040420142319\\_dmtec](#)

English