

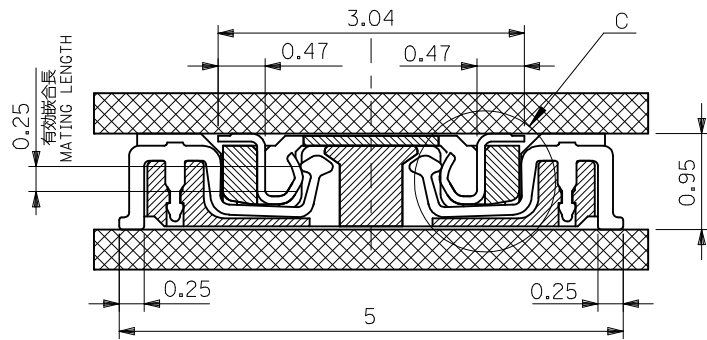
注記
NOTES

- 材質 MATERIAL
ハウジング : 液晶ポリマー-UL94V-0
HOUSING : LIQUID CRYSTAL POLYMER [LCP]
UL94V-0
ターミナル : 銅合金
TERMINAL : COPPER ALLOY
ネール : 銅合金
NAIL : COPPER ALLOY
- メッキ仕様 PLATING
接点部 : 金メッキ 0.1µm
CONTACT AREA : GOLD PLATING 0.1µm
半田付け部 : 金メッキ 0.1µm
SOLDER TAIL AREA : GOLD PLATING 0.1µm
下地メッキ : ニッケルメッキ 1.0µm
UNDER PLATING : NICKEL PLATING 1.0µm
ネール : 錫メッキ 1.0µmMIN.
NAIL : TIN PLATING 1.0µmMIN.
下地メッキ : ニッケルメッキ 1.0µmMIN.
UNDER PLATING : NICKEL PLATING 1.0µmMIN.
- テール及びネールの平坦度は0.1以下
TAIL AND NAIL COPLANARITY : 0.1 MAX.
- 嵌合相手 : 500024 シリーズ。
MATE WITH : 500024 SERIES.
- 本製品は 500027-***29 の鉛フリー品である。
THIS PRODUCT IS LEAD FREE OF 500027-***29.

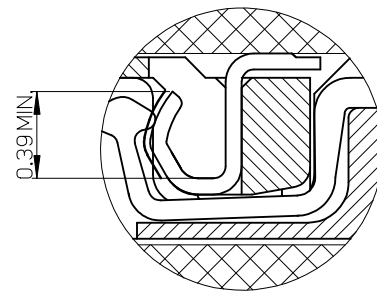
13.7	11.6	500027-6041	×	×	60
9.7	7.6	500027-4041	×	○	40
5.7	3.6	500027-2041	○	×	20
A	B	EMBOSSED TAPE PACKAGE オーダー番号 ORDER NO.	LOCK	NOTCH	極数 CIRCUITS

CONNECTOR SERIES No. : 500027-***49

REVISED EC NO: J2014-1542 DRWN:YSATO06 2014/04/10 CHKD:TASAKAWA 2014/04/17 APPR:TASAKAWA 2014/04/18	GENERAL TOLERANCES (UNLESS SPECIFIED)		DIMENSION STYLE MM ONLY	SCALE ---	DESIGN UNITS METRIC	THIRD ANGLE PROJECTION
	10 UNDER	±0.2	DRAWN BY M.NABEI	DATE '05/01/27	TITLE 0.4MM B/B CONN. H=0.95 PLUG HS'G ASS'Y -LEAD FREE-	
	10 OVER 30 UNDER	±0.25	CHECKED BY K.TOJO	DATE '05/01/27		
	30 OVER	±0.3	APPROVED BY N.UKITA	DATE '05/01/27		
REV	DESCRIPTION	ANGULAR ±1 ° DRAFT WHERE APPLICABLE MUST REMAIN WITHIN DIMENSIONS	MATERIAL NO. SEE CHART	DOCUMENT NO. SD-500027-028	SHEET NO. 1 OF 2	
C			SIZE A3	THIS DRAWING CONTAINS INFORMATION THAT IS PROPRIETARY TO MOLEX INCORPORATED AND SHOULD NOT BE USED WITHOUT WRITTEN PERMISSION		



嵌合断面図 (参考)
MATED DRAWING

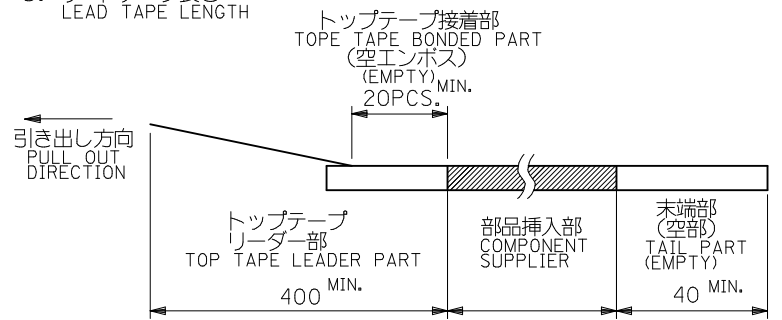
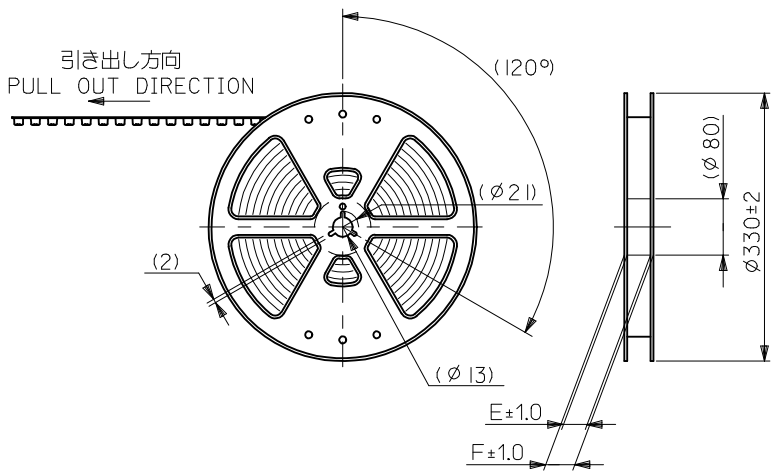


DETAIL C
GOLD PLATED AREA
ON CONTACT

REVISED EC NO: J2014-1542 DRWN: YSATO06 2014/04/10 CHKD: TASAKAWA 2014/04/17 APPR: TASAKAWA 2014/04/18	GENERAL TOLERANCES (UNLESS SPECIFIED)		DIMENSION STYLE MM ONLY	SCALE ---	500027-**49	MODEL NO.
	10 UNDER	±0.2	DRAWN BY M. NABEI	DATE '05/01/27	DESIGN UNITS METRIC	THIRD ANGLE PROJECTION
	10 OVER 30 UNDER	±0.25	CHECKED BY K. TOJO	DATE '05/01/27	0.4MM B/B CONN. H=0.95 PLUG HS'G ASS'Y -LEAD FREE-	
	30 OVER	±0.3	APPROVED BY N. UKITA	DATE '05/01/27		
ANGULAR ±1 °	DRAFT WHERE APPLICABLE MUST REMAIN WITHIN DIMENSIONS	MATERIAL NO. SEE CHART	DOCUMENT NO. SD-500027-028	SHEET NO. 2 OF 2		
C	DESCRIPTION	SIZE A3	THIS DRAWING CONTAINS INFORMATION THAT IS PROPRIETARY TO MOLEX INCORPORATED AND SHOULD NOT BE USED WITHOUT WRITTEN PERMISSION			

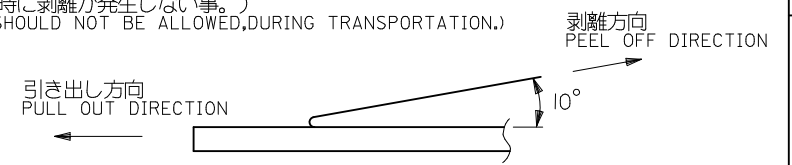
注)
NOTES

1. 製品番号 500027-**49 詳細寸法については、製品単体図面を参照下さい。
IN THE PACKAGE PART NUMBER 500027-**49 DETAILED DIMENSIONS, SEE SALES DRAWING FOR CONNECTOR.
2. 梱包数量：2000個/リール
NUMBER OF CONNECTORS：2000 PCS/REEL.
3. リードテープ長さ
LEAD TAPE LENGTH



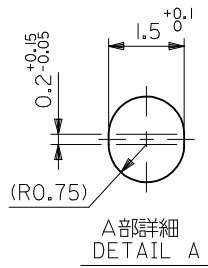
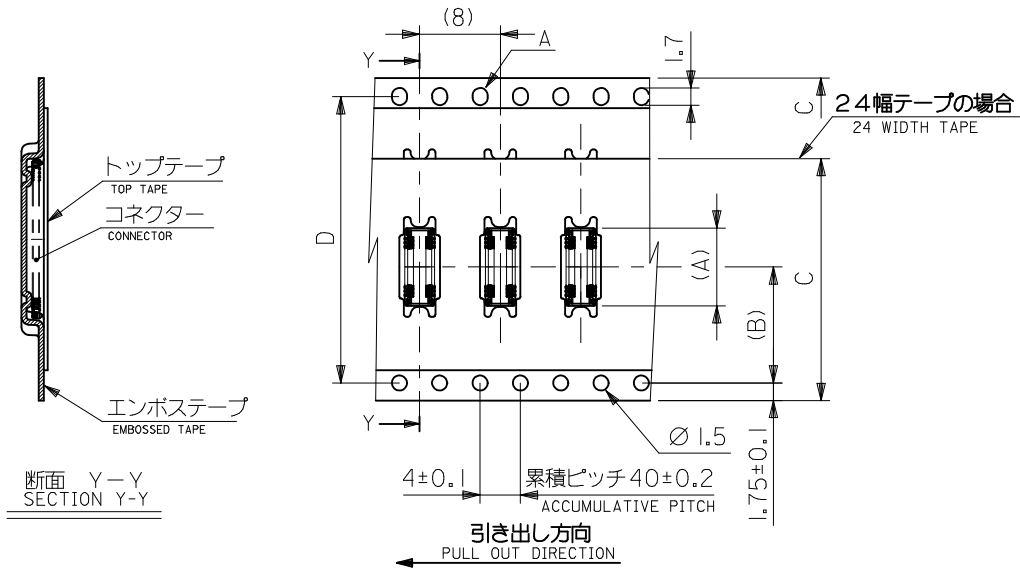
4. トップテープの剥離強度：(剥離方向は下図参照)
PEELING OFF FORCE OF TOP TAPE (PELLING DIRECTION AS SHOWN IN FOLLOWING FIGURE.)
0. 1~1. 3N (10~130gf)

尚、本規格値は、出荷時に適用。
THIS REQUIREMENT SHOULD BE APPLIED AT SHIPMENT.
(但し、輸送時に剥離が発生しない事。)
(PEEL OFF SHOULD NOT BE ALLOWED, DURING TRANSPORTATION.)



5. 材料
MATERIAL
キャリアテープ：ポリプロピレン (PP)
CARRIER TAPE: POLYPROPYLENE (PP)
トップテープ：PET, PE, PEF
TOP TAPE: PET, PE, PEF
リール：ポリスチレン
REEL : POLYSTYRENE
6. 本製品は 500027-**21 の鉛フリー品である。
THIS PRODUCT IS LEAD FREE OF 500027-**21.

REVISED EC NO: J2014-1542 DRWN: YSATO06 2014/04/10 CHKD: TASAKAWA 2014/04/17 APPR: TASAKAWA 2014/04/18	DESCRIPTION REV	GENERAL TOLERANCES (UNLESS SPECIFIED)		DIMENSION STYLE MM ONLY		SCALE ---	500027-**41	MODEL NO.
		10 UNDER ±0.2		DRAWN BY DATE M. NABEI '05/01/27		TITLE	DESIGN UNITS METRIC	THIRD ANGLE PROJECTION
		10 OVER 30 UNDER ±0.25		CHECKED BY DATE K. TOJO '05/01/27		500027-**49 TAPING PACKAGE -LEAD FREE-		
		30 OVER ±0.3		APPROVED BY DATE N. UKITA '05/01/27			molex	
ANGULAR ±1 °		MATERIAL NO.		DOCUMENT NO.	SHEET NO.			
DRAFT WHERE APPLICABLE MUST REMAIN WITHIN DIMENSIONS		SIZE A3		SEE CHART		SD-500027-029		1 OF 2
THIS DRAWING CONTAINS INFORMATION THAT IS PROPRIETARY TO MOLEX INCORPORATED AND SHOULD NOT BE USED WITHOUT WRITTEN PERMISSION								



37.4	33.4	28.4	32±0.3	14.2	13.7	500027-6041	60
29.4	25.4	x	24±0.3	11.5	9.7	500027-4041	40
29.4	25.4	x	24±0.3	11.5	5.7	500027-2041	20
F	E	D	C	B	A	MATERIAL NO.	極数 CIRCUITS

MODEL No. : 500027-***41

REVISED EC NO: J2014-1542 DRWN: YSATO06 CHKD: TASAKAWA APPR: TASAKAWA	DESCRIPTION REV	GENERAL TOLERANCES (UNLESS SPECIFIED)		DIMENSION STYLE MM ONLY		SCALE ---		DESIGN UNITS METRIC		THIRD ANGLE PROJECTION		
		10 UNDER	±0.2	DRAWN BY	DATE	TITLE						
		10 OVER 30 UNDER	±0.25	M. NABEI	'05/01/27	500027-***49 TAPING PACKAGE -LEAD FREE- molex						
		30 OVER	±0.3	K. TOJO	'05/01/27							
ANGULAR ±1 °		DRAFT WHERE APPLICABLE MUST REMAIN WITHIN DIMENSIONS		APPROVED BY N. UKITA		DATE '05/01/27		DOCUMENT NO. SD-500027-029		SHEET NO. 2 OF 2		
SEE CHART				THIS DRAWING CONTAINS INFORMATION THAT IS PROPRIETARY TO MOLEX INCORPORATED AND SHOULD NOT BE USED WITHOUT WRITTEN PERMISSION								