



Figure similar

RC element 48...127 V AC, 70...150 V DC Surge suppressor
 For mounting onto contactors Size S00 !!! Phased-out product !!! Successor is SIRIUS 3RT2 Preferred successor type is >>3RT2916-1CC00<<

General technical data

product brand name		SIRIUS
product designation		surge suppressor
design of the surge suppressor		with RC elements

Control circuit/ Control

type of voltage of the control supply voltage		AC/DC
control supply voltage frequency		
• 1 rated value	Hz	50
• 2 rated value	Hz	60
control supply voltage 1		
• at DC	V	70 ... 150
• at AC		
— at 50 Hz	V	48 ... 127
— at 60 Hz	V	127 ... 48

Certificates/ approvals

certificate of suitability		CE / UL / CSA
----------------------------	--	---------------

General Product Approval	EMC	Declaration of Conformity
--------------------------	-----	---------------------------



[Confirmation](#)



Declaration of Conformity	Test Certificates	Marine / Shipping
---------------------------	-------------------	-------------------



[Special Test Certificate](#)



other	Railway
-------	---------

[Confirmation](#)

[Miscellaneous](#)

[Special Test Certificate](#)

Further information

Information- and Downloadcenter (Catalogs, Brochures,...)

<https://www.siemens.com/ic10>

Industry Mall (Online ordering system)

<https://mall.industry.siemens.com/mall/en/en/Catalog/product?mfb=3RT1916-1CC00>

Cax online generator

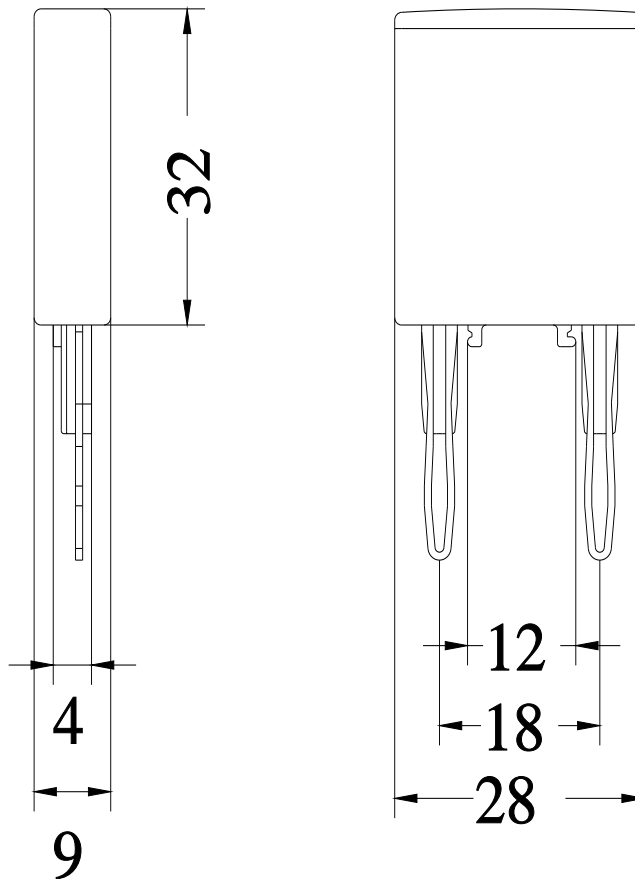
<http://support.automation.siemens.com/WW/CAXorder/default.aspx?lang=en&mfb=3RT1916-1CC00>

Service&Support (Manuals, Certificates, Characteristics, FAQs,...)

<https://support.industry.siemens.com/cs/ww/en/ps/3RT1916-1CC00>

Image database (product images, 2D dimension drawings, 3D models, device circuit diagrams, EPLAN macros, ...)

http://www.automation.siemens.com/bilddb/cax_de.aspx?mfb=3RT1916-1CC00&lang=en



last modified:

4/21/2021 