

5

4

3

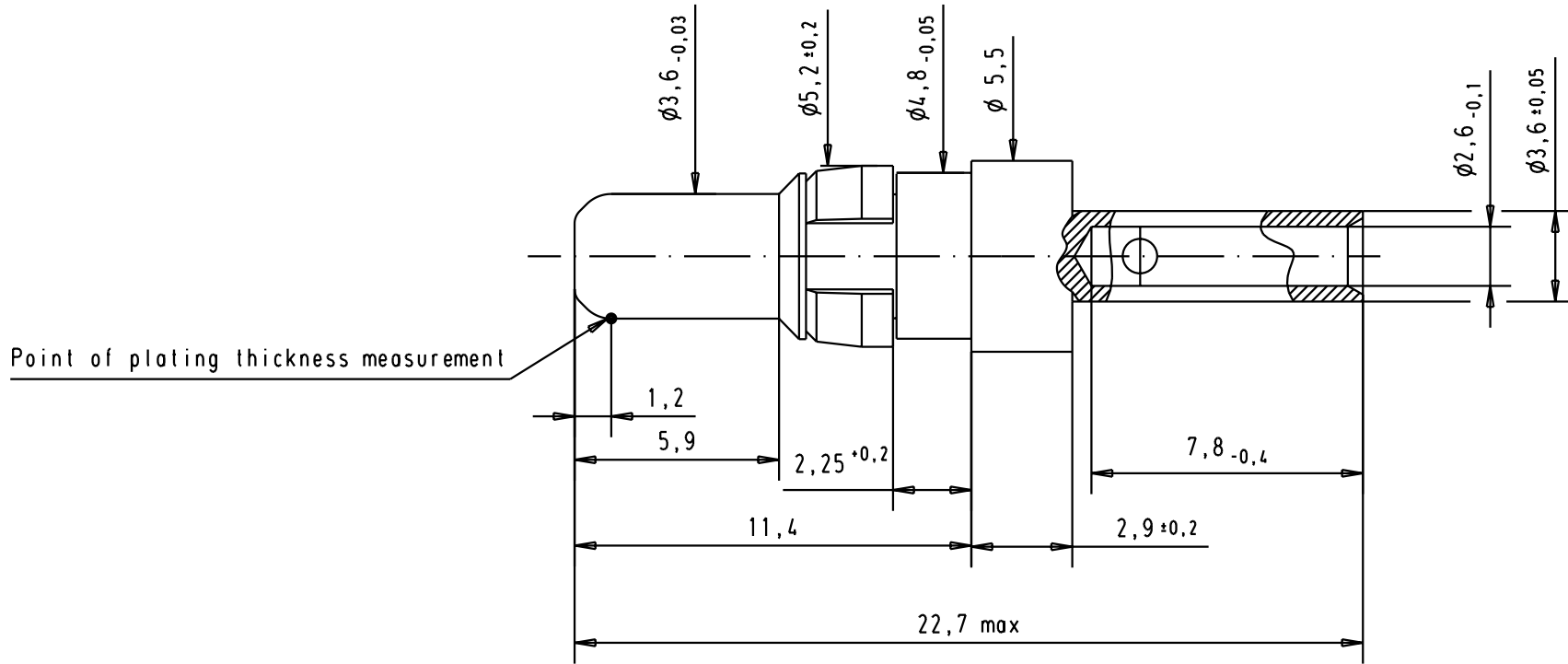
2

1

D

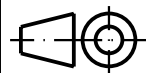

C

B



Crimping tool: 09 99 000 0509  
Positioner: 09 99 000 0504

A

						Dat.		Name		 All Dim. in mm Orig. Size DIN A 4	Male Hight power contact, 20A straight cable terminaison, crimp for AWG 12-14	Maßstab/ Scale 5:1
						Detail.	21-JUN-02	CV				
09692827421	Mating area	0,2 µm Au				Insp.						
	Termination area	0,2 µm Au				Stand.						
09692825421	Mating area	0,8 µm Au										
	Termination area	0,2 µm Au	31057	21-JUN-02	CV							
Part number	Plating		Mod.	Dat.	Name	HARTING EURL F-95972 Paris				TB 09 69 282 x421	Blatt/ Page 1 / 1	
										Sub.		