

## Flat suction pad (round)

SFF 30 HT1-60 G1/4-IG

Part no...:10.01.01.14281

<https://www.schmalz.com/10.01.01.14281>

Home > Vacuum Technology for Automation > Vacuum Components > Vacuum Suction Cups > Suction Cups for the Electronics Industry > Suction Cups SFF / SFB1 > SFF 30 HT1-60 G1/4-IG

### Flat suction cup (round) for dynamic handling of thin and flexible workpieces



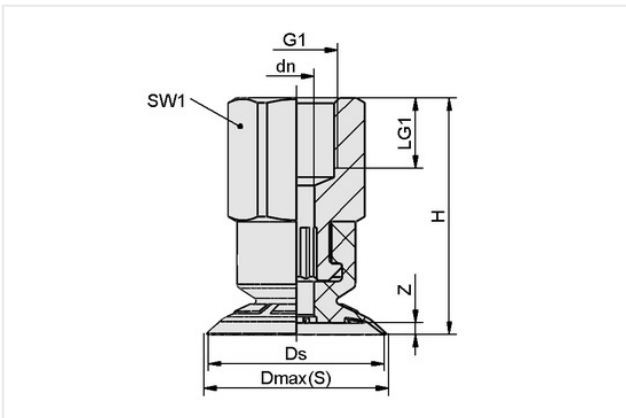
Size: 30

Suction cup material: High temp material HT1

Material hardness [Shore A]: 60 Shore A

Number of folds: 0

### Design Data



Attribute	Value
G1	G1/4"-F
Dmax(S)	31.50 mm
Ds	30 mm
dn	4 mm
LG1	12 mm
H	30.80 mm
SW1	17 mm
Z (Stroke)	2 mm

### Technical Data

Attribute	Value
Size	30
Suction cup material	High temp material HT1
Suction force (-600mbar)	26.90 N
Product family	SFF
Volume	1.70 cm <sup>3</sup>
Number of folds	0
Material hardness [Shore A]	60 Shore A

### Contact Schmalz

Schmalz Inc. | 5850 Oak Forest Drive, Raleigh, NC 27616, United States | +1 (919) 713-0880 | [schmalz.us@schmalz.com](mailto:schmalz.us@schmalz.com)

## Flat suction pad (round)

SFF 30 HT1-60 G1/4-IG

Part no...:10.01.01.14281

<https://www.schmalz.com/10.01.01.14281>

### Spare parts



#### SFF 30 HT1-60 SC040

Part no...:10.01.01.14054

Size: 30

Suction cup material: High temp material HT1

Material hardness [Shore A]: 60 Shore A

Number of folds: 0



#### SC 040 G1/4-IG

Part no...:10.01.06.02918

Connection geometry: 040

Vacuum connection: G1/4"-F

Fitting length: 17.3 mm

Nominal diameter dn: 4.1 mm