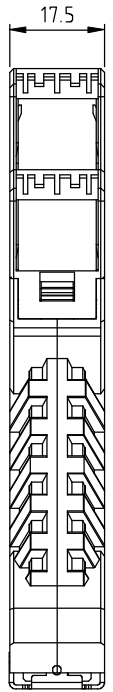
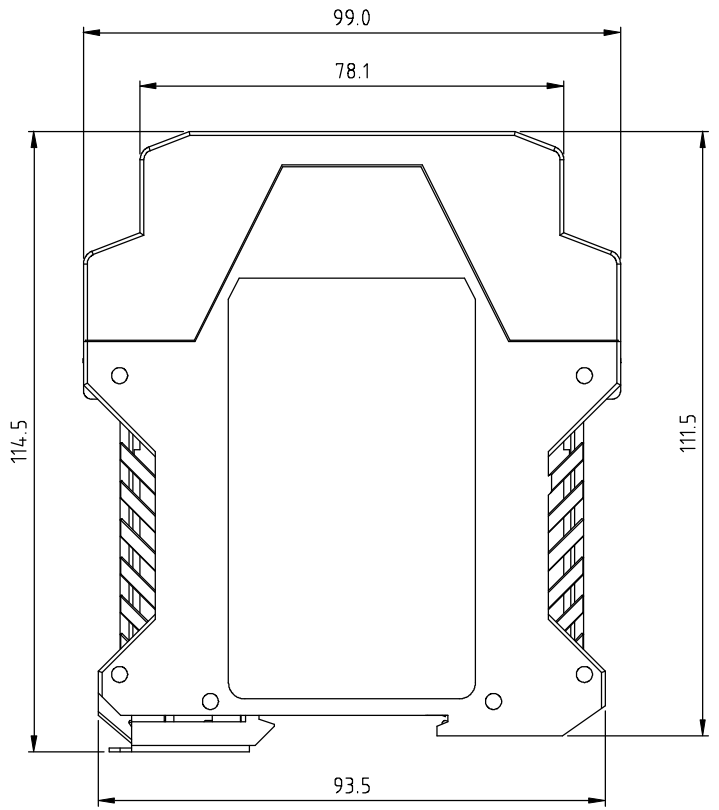
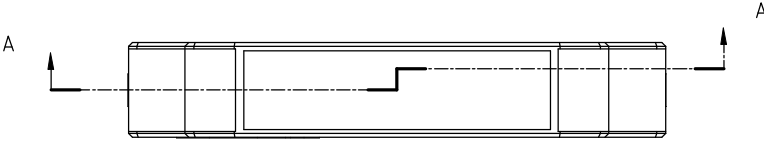
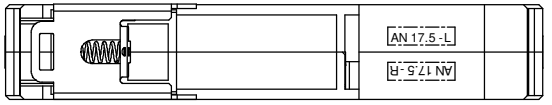
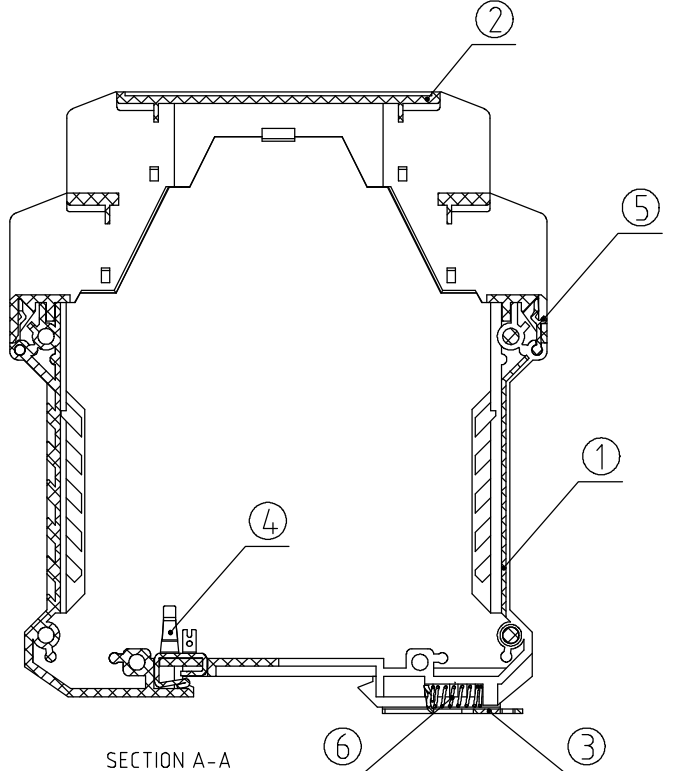


SIGN	DATE	DESCRIPTION	APPROVER
△			
<i>THIS IS CAD DRAWING, DO NOT REVISE MANUALLY!!!</i>			



Material:

- Item 1: Terminal body Thermoplastic (UL94 V-0)
- Item 2: Terminal cover Thermoplastic (UL94 V-0)
- Item 3: Dinrail wire guard: Steel Zinc plated
- Item 4 :Contact: PhBz Tin plated
- Item 5 :Terminal card Thermoplastic (UL94 V-0)
- Item 6 :Spring: Stainless steel



ANYTEK				CUSTOMER COPY				
ALL RIGHTS RESERVED. REPRODUCTION OR ISSUE TO THIRD PARTIES IN ANY FORM WHATSOEVER IS NOT PERMITTED WITHOUT WRITTEN AUTHORITY FROM THE PROPRIETOR. PROPERTY OF ANYTEK TECHNOLOGY CO., LTD								
TITLE	AN series 17.5			DWG NO.	8AN0201			
PART NO.	AN0300500000G			CUST NO.				
APPROVED	CHECKED	DESIGNED	DRAWN			Tolerance		
		Chenhao 2015/9/18	Chenhao 2015/9/18			UNIT: mm	X.	±0.50
				SHEET: 01/01		SCALE: NOTE	X.X	±0.30
						REV.: A0	X.XX	±0.10
						X°	±1°	