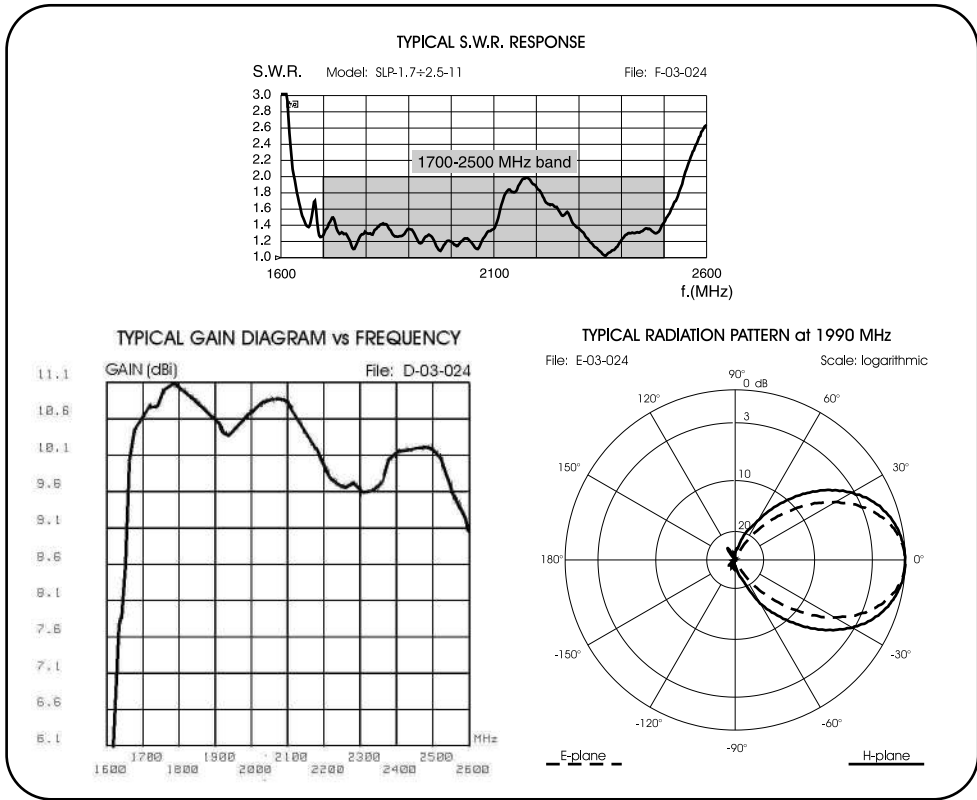


Fixing Bracket Parts List	
Re-order code: SA169	
Q.ty	Description
1	38x129x47 mm aluminium bracket
2	M6x10 hexagonal head screws
2	M6 serrated lock washers
2	M6 hexagonal nuts
U-bolts Mounting Parts List	
Re-order code: SA008	
Q.ty	Description
2	M6x69 mm U-bolts
4	M6 washers
4	M6 spring lock washers
4	M6 hexagonal nuts

Mounting needed tools:
n. 2 10 mm open key

SLP - 1.7 ÷ 2.5 -11
Multi-Band Base Station Antenna (GSM, DCS, DECT, UMTS, WLAN)



DESCRIPTION

Multi-band base station antenna working on 1.7-2.5 GHz conceived for GSM 1.8 GHz, DCS 1.9GHz, DECT, UMTS and WLAN systems. The radiant element is made of brass to guarantee high power, low losses and a very good protection against corrosion. The aerial is protected by a UV-stabilized radome to get the best performance for long periods of time. It's supplied with an adjustable aluminium bracket that, thanks to its available options, allows to get best installation flexibility.

SPECIFICATIONS

Electrical Data

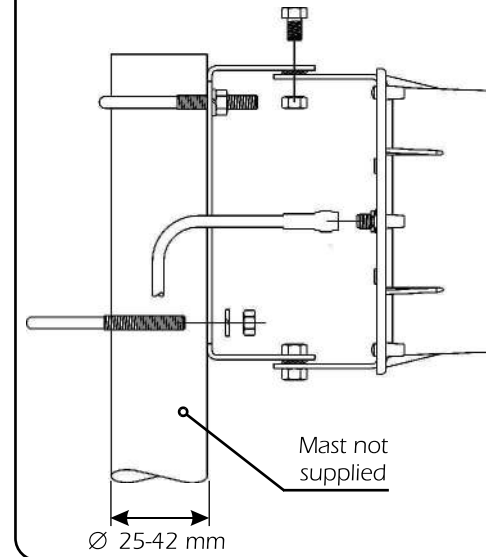
Type	: Log Periodic Dipole Array
Frequency Range @ SWR ≤ 2	: 1700-2500 MHz
Impedance	: 50 Ω
Polarization	: Linear Vertical
Max Gain	: 9 dBd, 11.1 dBi
3 dB Beamwidth Vertical	: E-plane 46° Frequency Independent
3 dB Beamwidth Horizontal	: H-plane 58° Frequency Independent
Front to back ratio	: ≥ 24 dB
Radiation angle deg.	: 0°
Max Power	: 50 Watts (CW) @ 30° C
Grounding Protection	: All metal parts are DC-grounded, the inner conductor shows a DC-short
Connector type	: SMA-female

Mechanical Data

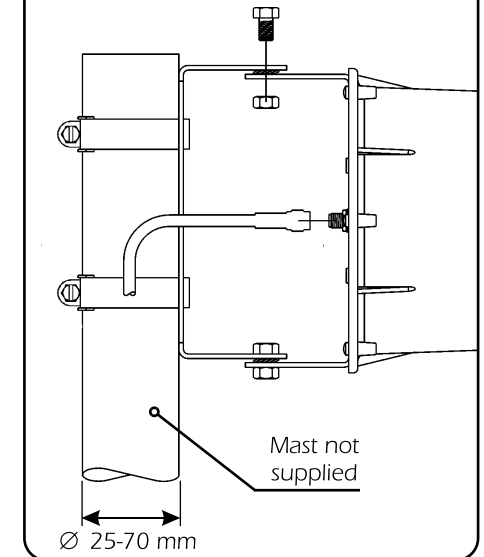
Housing Materials	: Aluminium, Brass, Stainless Steel
Radome Material	: White ABS UV Stabilized
Wind Load / Resistance	: 61N @ 150 Km/h / 180 Km/h
Wind Surface	: 0.04 m ²
Dimensions (approx.)	: 345 x 135 x 73 mm
Turning radius (approx.)	: 310 mm
Weight (approx.)	: 400 gr
Operating Temperature	: -40° C to 80° C
Mounting Mast	: Mast ∅ 25-42 mm whit U-bolt Clamp ∅ 25-70 mm (optional) Wall mounting screws (not included)

MOUNTING INSTRUCTIONS

Standard U-bolt Mounting



Optional Clamp Mounting



Position of **REQUIRED** 4mm draining hole ATTENTION at the internal part! Max 5mm deep hole

