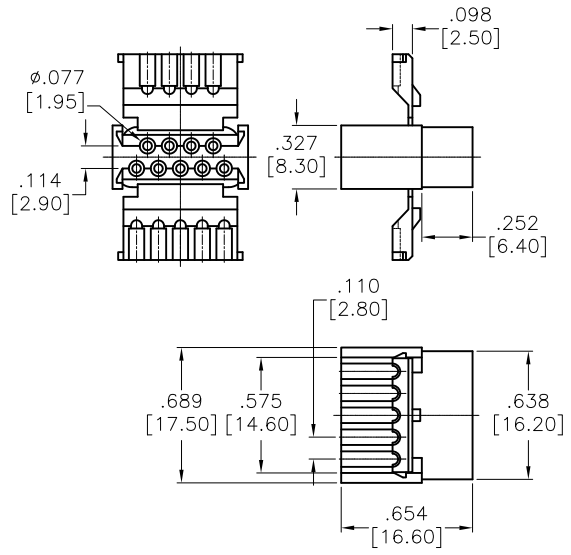
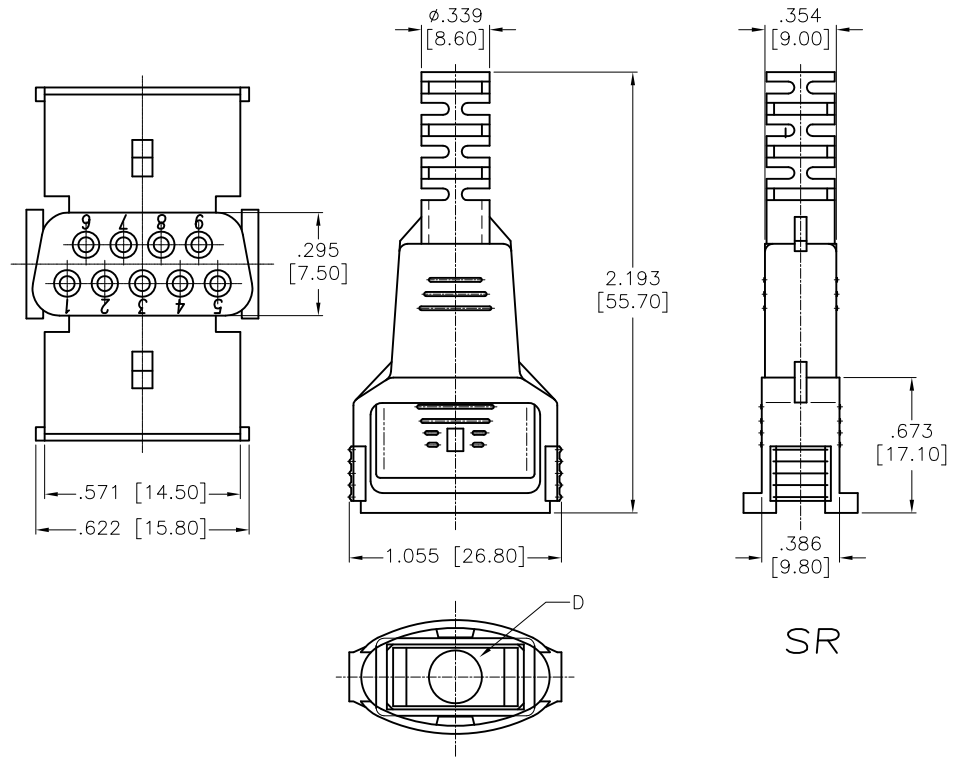


Rev	AWO #	Description	Date	Appr
-		RELEASED	12/22/18	

APPROVED: _____
 DATE: _____ TITLE: _____



HOUSING



SR

Mating with: DCS-01A-R

DE09-SD-LC-KIT-B	.217 [5.50]
DE09-SD-LC-KIT-A	.268 [6.80]
ADAM P/N	DIM. D

SPECIFICATIONS:
 Material:
 Insulator: Nylon66, rated UL 94V-0
 Insulator color: Black
 Environmental:
 Lead free, RoHS compliant



UNLESS OTHERWISE SPECIFIED
 ALL DIMENSIONS ARE INCHES [MM]
 TOLERANCES: EXCEPT AS NOTED

INCHES		HOLES	
.X	$\pm .10$	ϕX	$\pm .10$
.XX	$\pm .020$	ϕXX	$\pm .015$
.XXX	$\pm .015$	ϕXXX	$\pm .010$

APPROVALS		DATE
DRAWN	AY	12/22/18
CHECKED	TW	12/22/18
APPROVED		

ADAM TECH
 INTERCONNECTS

909 Rahway Avenue,
 Union, NJ 07083
 Phone: 908-687-5000
 Fax: 908-687-5710

TITLE D-SUB SOCKET 9P, SOLDER TYPE, W/LATCH STRAIN RELIEF KIT			
SIZE X	PART NO. DE09-SD-LC-KIT-X	REV. -	
REF: S00298T	SCALE: NTS	SHEET 1 OF 1	