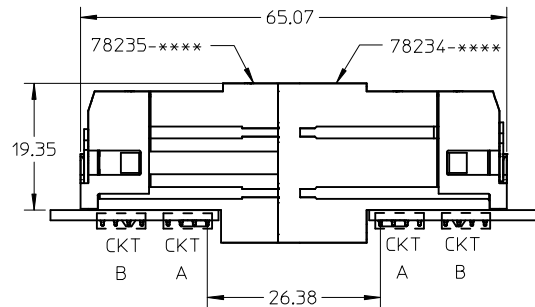
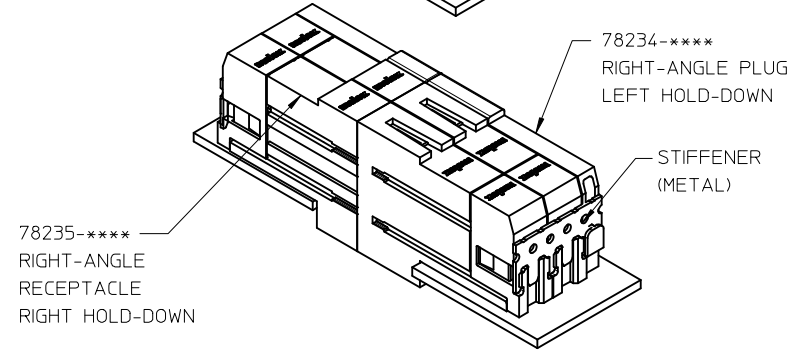
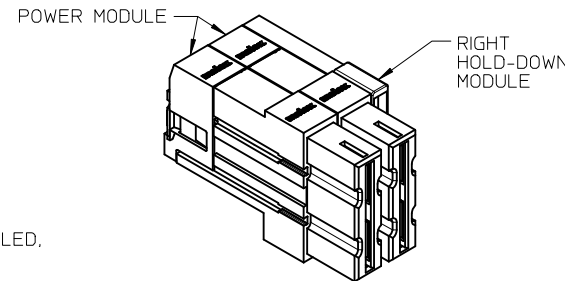
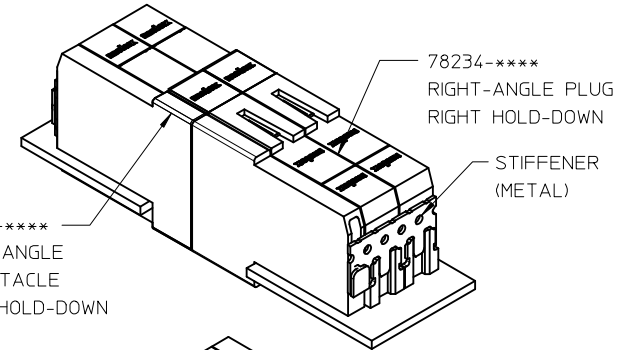
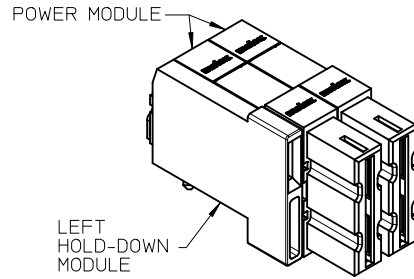


LEFT HOLD DOWN OPTION ⁹

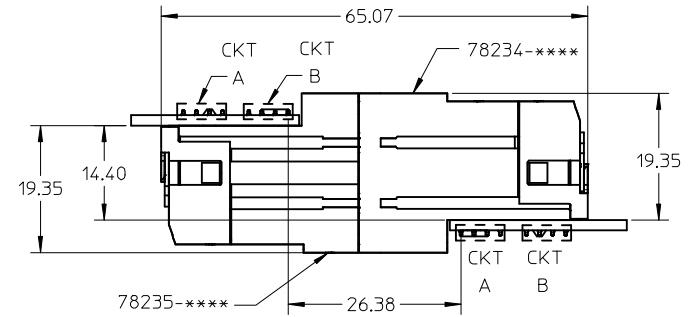
PART NUMBER	NUMBER OF POWER MODULES	*DIM A*	PLATING OPTION
78235-1101	1X	10.90	TIN
78235-1102	2X	18.30	

RIGHT HOLD DOWN OPTION ⁹

PART NUMBER	NUMBER OF POWER MODULES	*DIM A*	PLATING OPTION
78235-2101	1X	10.90	TIN
78235-2102	2X	18.30	



COPLANAR



INVERSE COPLANAR

NOTES:

- MATERIALS :
HOUSING - LIQUID CRYSTAL POLYMER, GLASS FILLED, UL94V-0, COLOR:BLACK.
POWER PIN - COPPER ALLOY
- FINISHES :
POWER CONTACTS
0.76µm MINIMUM GOLD AT CONTACT AREA AND
2.54µm MINIMUM TIN AT SOLDER TAIL AREA OVER
1.27µm MINIMUM NICKEL UNDERPLATE.
- PRODUCT SPECIFICATION: PS-78231-006.
- CONNECTOR KEEP OUT ZONE.
- PCB NOTE FOR PLATED HOLE.

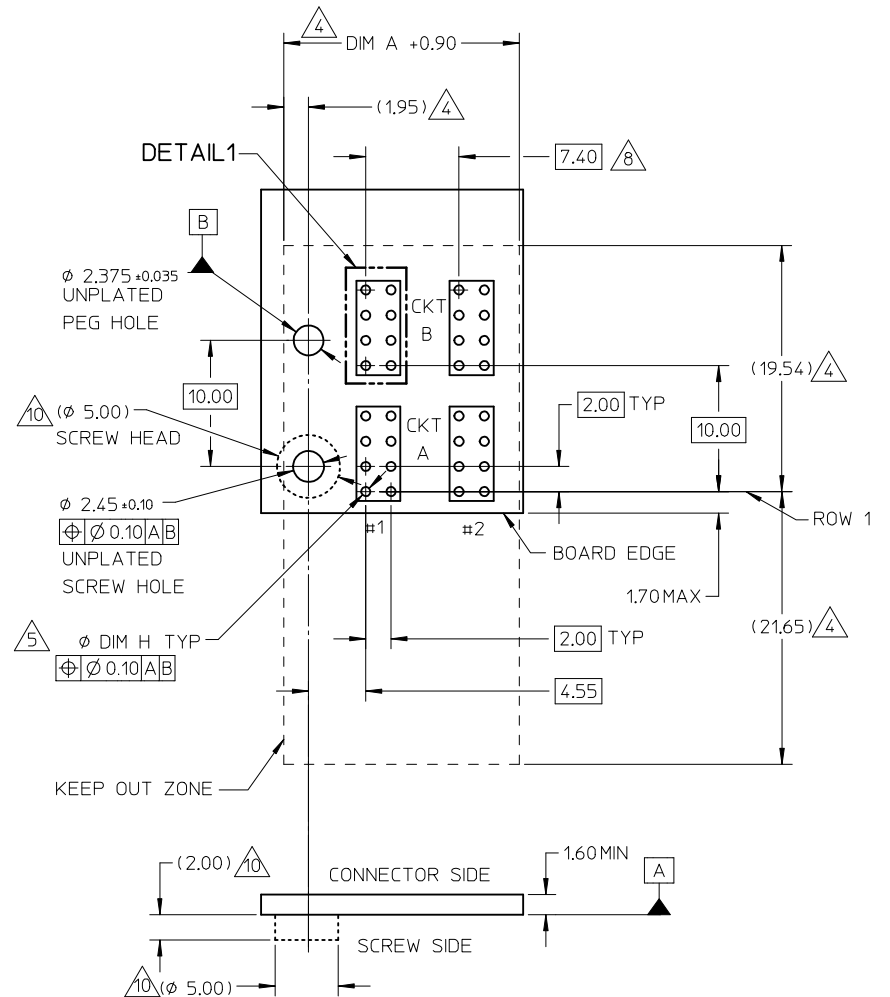
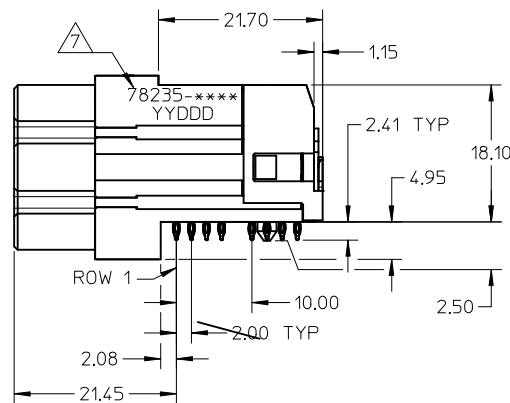
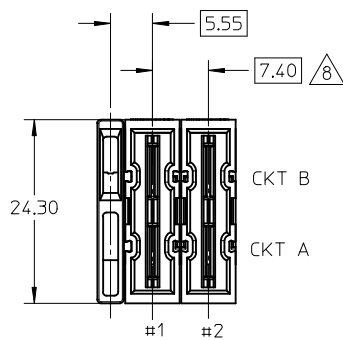
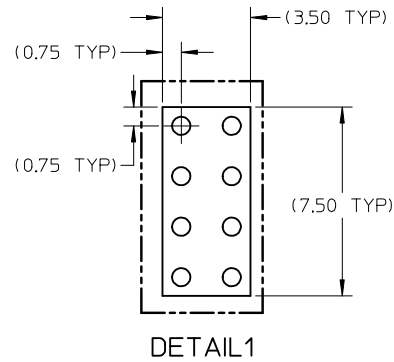
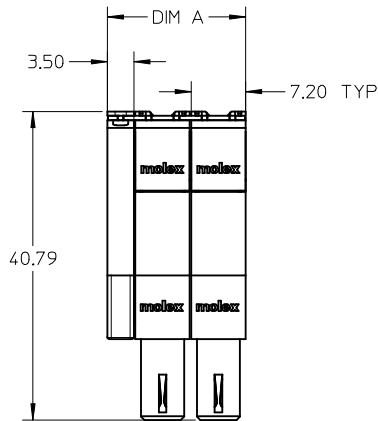
TYPE OF PLATED HOLE	DRILLED HOLE SIZE	PLATING THICKNESS	PLATED HOLE SIZE *ØDIM H*
TIN/TIN-LEAD	0.838	0.007 MIN TIN/TIN-LEAD/SILVER OVER 0.03 TO 0.08 COPPER PLATING	0.725±0.075
SILVER	0.863		0.750±0.050

- 78235-**** MATES WITH 78234-****.
- PART NUMBER AND YEAR-DAY CODE APPROXIMATELY SHOWN.
- ADD 7.40mm FOR EACH ADDITIONAL POWER MODULE.
- REFER TO SHEET 2 FOR LEFT HOLD DOWN OPTION AND SHEET 3 FOR RIGHT HOLD DOWN OPTION.
- ALL PARTS ARE SHIPPED WITH A 2-32 AB SELF TAPPING SCREW, PART NUMBER 73726-0005.
- PACKAGING PROCEDURE AS PER PK-78235-001.

CONSOLIDATE P/N EC NO: S2011-0389 DRWN: SHONG CHKD: LING APPR: NAGESHKIN 2010/10/27 2010/11/03 2010/11/03	QUALITY SYMBOLS ▽=0 ◻=0	GENERAL TOLERANCES (UNLESS SPECIFIED) mm INCH 4 PLACES ± --- ± --- 3 PLACES ± --- ± --- 2 PLACES ± 0.25 ± --- 1 PLACE ± --- ± --- ANGULAR ± 3 °	DIMENSION STYLE MM ONLY DRAWN BY: ANG DATE: 2007/10/23 CHECKED BY: LNG DATE: 2007/11/30 APPROVED BY: NAGESHKIN DATE: 2010/11/03 MATERIAL NO.	SCALE NTS DESIGN UNITS METRIC THIRD ANGLE PROJECTION	TITLE I-TRAC POWER, 11 ROW R/A RECEPTACLE, PRESSFIT W/HOLD DOWN MODULE MOLEX INCORPORATED DOCUMENT NO. SD-78235-001 SHEET NO. 1 OF 3
	DRAFT WHERE APPLICABLE MUST REMAIN WITHIN DIMENSIONS		SEE TABLE	THIS DRAWING CONTAINS INFORMATION THAT IS PROPRIETARY TO MOLEX INCORPORATED AND SHOULD NOT BE USED WITHOUT WRITTEN PERMISSION	
	SIZE A4				
	REV A4				

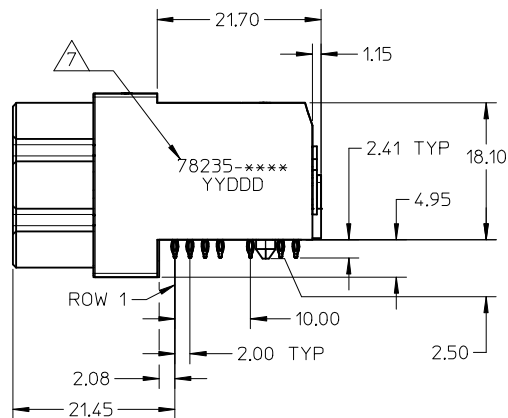
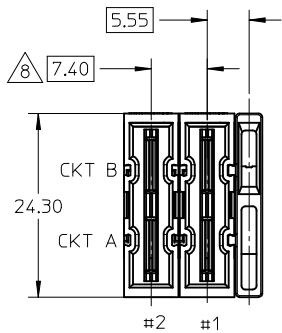
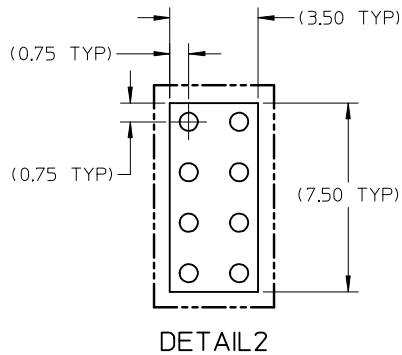
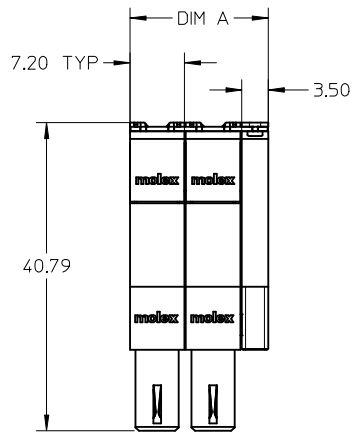
LEFT HOLD DOWN OPTION

RECOMMENDED PCB LAYOUT
(CONNECTOR SIDE SHOWN)

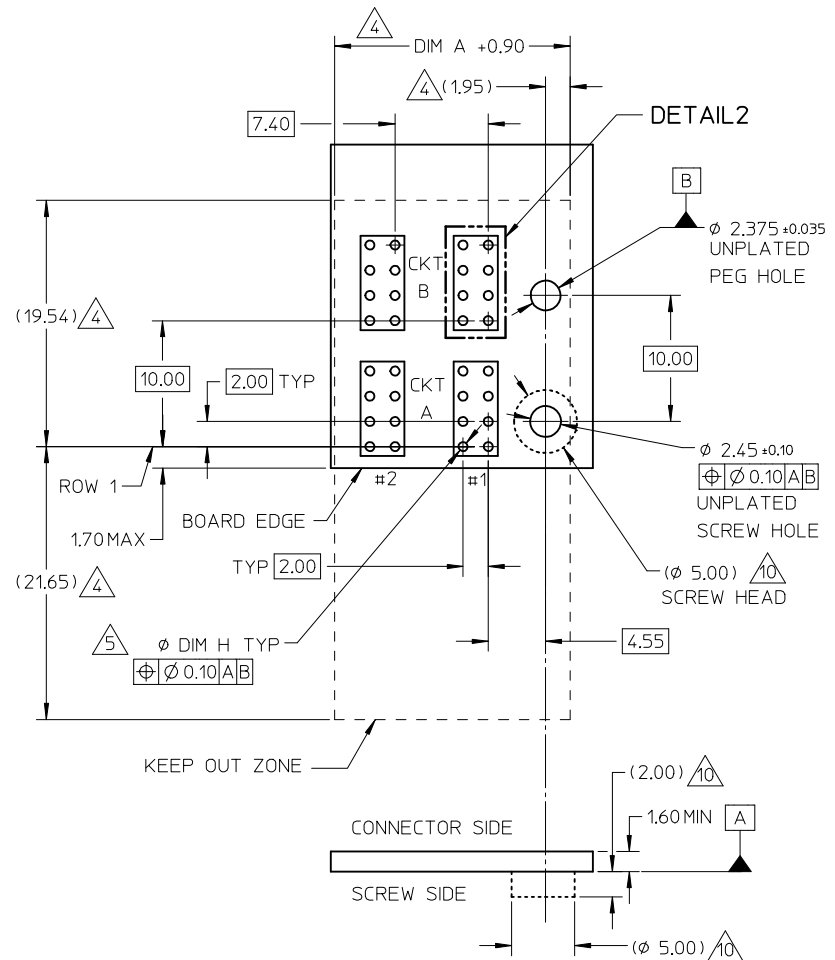


CONSOLIDATE P/N EC NO: S2011-0389 DRWN: SHONG CHKD: LNG APPR: NAGESHKN 2010/10/27 2010/11/03 2010/11/03	QUALITY SYMBOLS ▽=0 ◻=0	GENERAL TOLERANCES (UNLESS SPECIFIED)		DIMENSION STYLE	SCALE	DESIGN UNITS	THIRD ANGLE PROJECTION	
		mm	INCH	MM ONLY	NTS	METRIC		
		4 PLACES	± ---	± ---	DRAWN BY	DATE	TITLE	
		3 PLACES	± ---	± ---	ANG	2007/10/23	I-TRAC POWER, 11 ROW R/A RECEPTACLE, PRESSFIT W/HOLD DOWN MODULE	
		2 PLACES	± 0.25	± ---	CHECKED BY	DATE	MOLEX INCORPORATED	
1 PLACE	± ---	± ---	LNG	2007/11/30	DOCUMENT NO.			
ANGULAR ± 3 °		APPROVED BY		DATE	SHEET NO.			
DRAFT WHERE APPLICABLE MUST REMAIN WITHIN DIMENSIONS		NAGESHKN		2010/11/03	SD-78235-001		2 OF 3	
SIZE		THIS DRAWING CONTAINS INFORMATION THAT IS PROPRIETARY TO MOLEX INCORPORATED AND SHOULD NOT BE USED WITHOUT WRITTEN PERMISSION						
A4		A3						

RIGHT HOLD DOWN OPTION



RECOMMENDED PCB LAYOUT
(CONNECTOR SIDE SHOWN)



CONSOLIDATE P/N EC NO: S2071-0389 DRWN: SHONG CHKD: LNG APPR: NAGESHK N 2010/10/27 2010/11/03 2010/11/03	QUALITY SYMBOLS ▽=0 ◻=0	GENERAL TOLERANCES (UNLESS SPECIFIED) mm INCH 4 PLACES ± --- ± --- 3 PLACES ± --- ± --- 2 PLACES ± 0.25 ± --- 1 PLACE ± --- ± --- ANGULAR ± 3 °	DIMENSION STYLE MM ONLY DRAWN BY: ANG DATE: 2007/10/23 CHECKED BY: LNG DATE: 2007/11/30 APPROVED BY: NAGESHK N DATE: 2010/11/03 MATERIAL NO.	SCALE: NTS DESIGN UNITS: METRIC THIRD ANGLE PROJECTION	TITLE: I-TRAC POWER, 11 ROW R/A RECEPTACLE, PRESSFIT W/HOLD DOWN MODULE MOLEX INCORPORATED DOCUMENT NO. SD-78235-001	SHEET NO. 3 OF 3
	DRAFT WHERE APPLICABLE MUST REMAIN WITHIN DIMENSIONS	SEE TABLE	THIS DRAWING CONTAINS INFORMATION THAT IS PROPRIETARY TO MOLEX INCORPORATED AND SHOULD NOT BE USED WITHOUT WRITTEN PERMISSION			
	SIZE: A4					
	REV: A4					