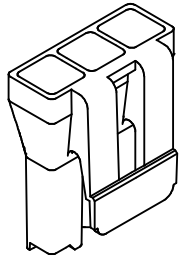
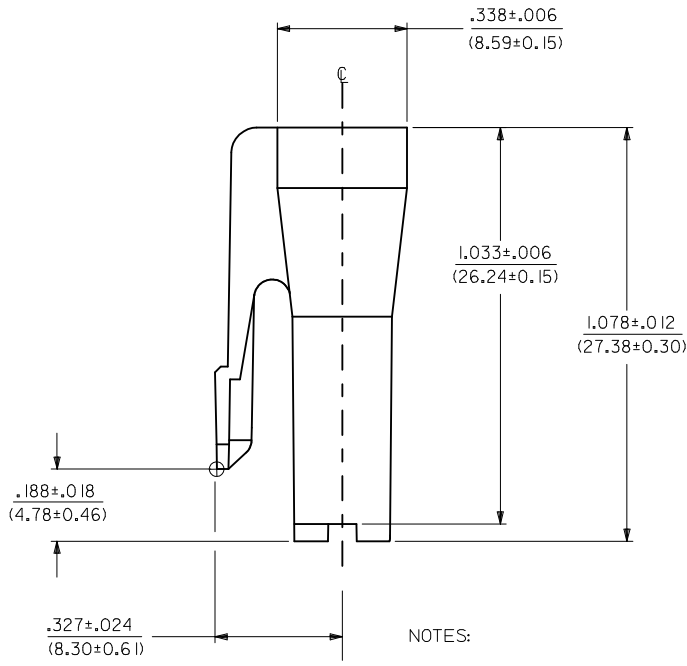
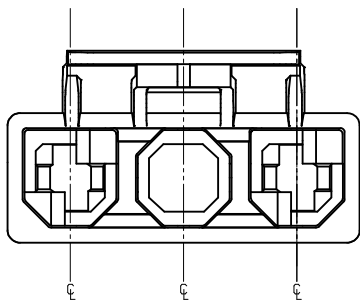
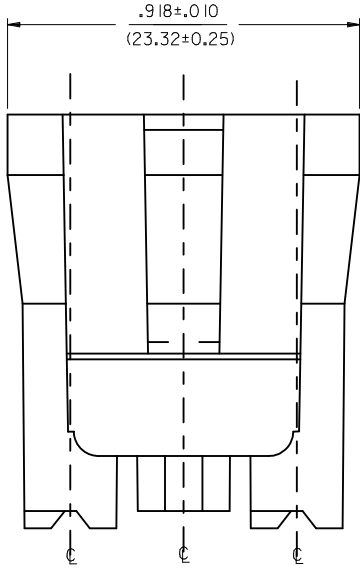
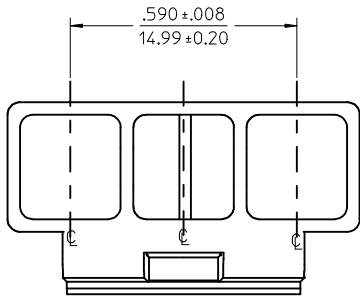


ITEM NUMBER	MATERIAL	COLOR
43335-1103	A	NATURAL
43335-2103	B	BLACK
X 43335-3103	A	RED
X 43335-4103	A	BLUE
43335-7103	D	BLACK

X = NOT RELEASED TO PRODUCTION



43335-1103  
(SCALE 2:1)

NOTES:

- 1) MATERIAL: A: NYLON, PA66, UL94V-2, COLOR: SEE CHART.  
B: UL94V-0, PA66, NYLON.  
D: NYLON, UL94V-2, COLOR: BLACK, IEC 60335-1 GLOW WIRE CAPABLE.
- 2) FINISH: NONE.
- 3) PRODUCT SPECIFICATION: PSX-43335-9999.
- 4) PACKAGING INFORMATION: PK-43335-001.
- 5) THIS CONNECTOR HOUSING FOR USE WITH 43375-\*\*\*\*.
- 6) THIS CONNECTOR HOUSING WILL MATE TO A-43160-\*\*\*3 AND 43384-\*\*\*3 HOUSINGS.
- 7) PARTS CONFORM TO CLASS 'B' REQUIREMENTS OF COSMETIC SPECIFICATION PS-45499-002 EXCEPT MATERIAL OPTION 'B' MEETS CLASS 'C' REQUIREMENTS FOR SINK AND DISCOLORATION.

<b>CORRECT TOLERANCE</b> EC NO: UCP2014-5424 DRWN:JDOX 2014/06/26 CHKD:ANDERSON 2014/06/26 APPR:FSMLTH 2014/07/09	QUALITY SYMBOLS 	GENERAL TOLERANCES (UNLESS SPECIFIED)		DIMENSION STYLE <b>IN/MM</b>		SCALE <b>4:1</b>	DESIGN UNITS <b>INCH</b>	<b>THIRD ANGLE PROJECTION</b>
				DRAWN BY	DATE	TITLE <b>3-CKT RECEPTACLE HOUSING          W/TPA .125X.020          FLAT BLADE CENTER VOID</b>		
				CHECKED BY	DATE	<b>molex</b>		
				APPROVED BY	DATE	DOCUMENT NO. <b>SD-43335-1103</b>		
REV <b>C1</b>	DESCRIPTION <b>DESCRIPTION</b>	ANGULAR ±1/2° DRAFT WHERE APPLICABLE MUST REMAIN WITHIN DIMENSIONS		MATERIAL NO. <b>SEE CHART</b>	SHEET NO. <b>1 OF 1</b>	THIS DRAWING CONTAINS INFORMATION THAT IS PROPRIETARY TO MOLEX INCORPORATED AND SHOULD NOT BE USED WITHOUT WRITTEN PERMISSION		