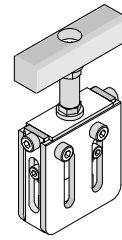


**EdgeLine™  
ESP  
Removal-Tool**



**Application Tooling  
Specification Sheet**



**Order No. 62100-6850**

**FEATURES**

- Used in the removal of the EdgeLine™ Edge Card Connector from a PCB
- Removes connector from the PCB without damage to the board
- Use tool 62203-0301 for inserting connectors

**SCOPE**

Products: EdgeLine™ ESP Assemblies, 0.8mm Pitch for 0.093" PCB, 171852 Series. See Product List below for specific application tools.

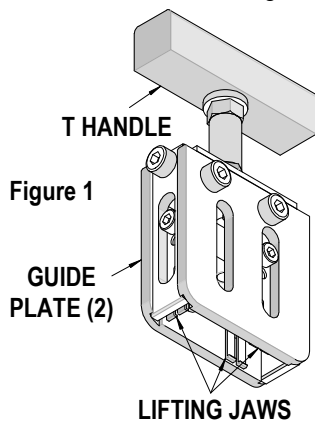
**Product List**

The following is a partial list of the product order numbers and their specifications this tool is designed to run. Updates to this list are available on [www.molex.com](http://www.molex.com).

Assembly Order Number	Description
171852-1030	EdgeLine™ ESP 30 Circuit

**DESCRIPTION**

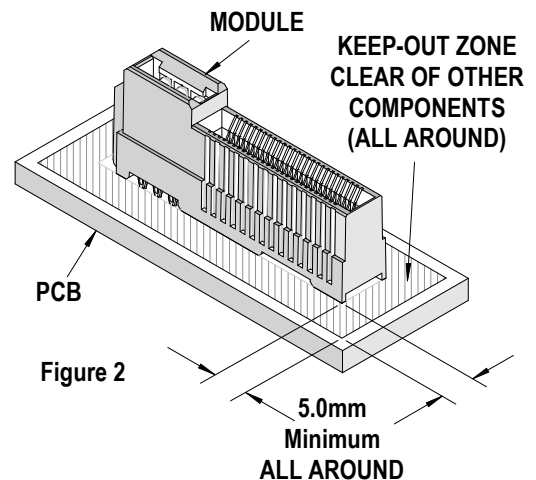
The tool is used for removal of the EdgeLine™ Edge Card Connector from a PCB. The principal parts of the terminal removal tool are shown in Figure 1.



**Tool Setup**

The tooling arrangement in this removal tool is determined by the module and component placement on the PCB.

There is a "Keep-Out Zone" that needs to be clear of other components in order to use this tool. See Figure 2.



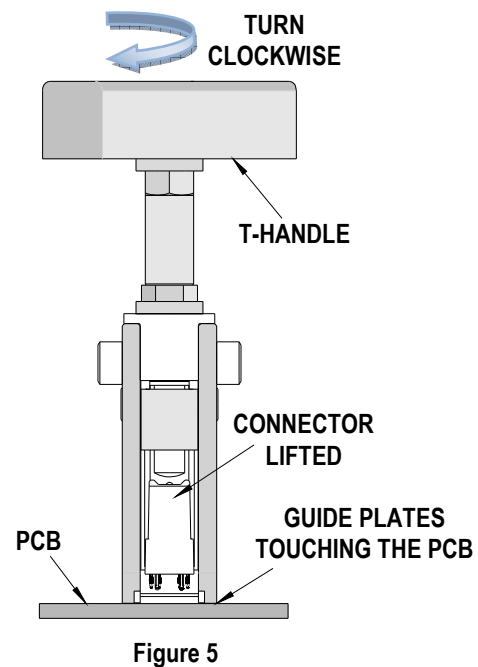
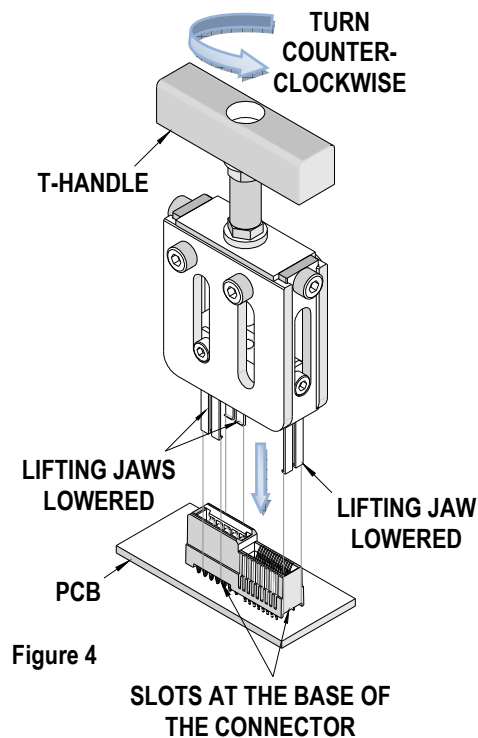
## Operation

**Note:** Be sure that all parts of the removal tool will clear any components on the printed circuit board during use. Tape may also be placed over circuit traces or on the bottom of the Guide Plate for added protection of the printed circuit board.

1. Turn the T Handle counter-clockwise (CCW) until the lifting jaws are exposed below the guide plates. (The screw will become disengaged from the lifting jaw block.)
2. Slide the lifting jaws down over the connector until the lifting jaws snap into the slots at the base of the connector. See Figure 3.

**Note:** The lifting jaws must snap into the slots of the connector so it can be lifted off the printed circuit board.

3. Lower the tool until the bottom of the guide plates contact the board surface.
4. Turn the T handle clockwise (CW) until the connector is removed from the PCB. See Figure 4.



**Note:** After removing the connector from the PCB, some terminals may remain in the board. This is not a tooling malfunction. A pair of needle nose pliers may be used to individually remove the terminals. Caution is required when using this method; if a terminal is incorrectly gripped or pulled away at an angle, it could break off inside the PCB hole. After terminals are pulled out of the PCB, they should be discarded. The PCB should be free of any contact debris.

5. With the removal tool away from the PCB, take the connector out of the tool by turning the T handle counterclockwise until the lifting jaws are exposed. Pull the connector up slightly and slide it out of the side of the tool.

## Maintenance

It is recommended that each operator of the tool be made aware of, and responsible for, the following maintenance steps:

1. Remove dust, moisture, and other contaminants with a clean brush, or soft, lint free cloth.
2. Do not use any abrasive materials that could damage the tool.
3. Make certain all pins; pivot points and bearing surfaces are protected with a thin coat of high quality machine oil. Do not oil excessively.
4. When tool is not in use, store in a clean, dry area.

**CAUTION:** Molex specifications are valid only when used with Molex terminals, applicators and tooling.

Visit our Web site at <http://www.molex.com>