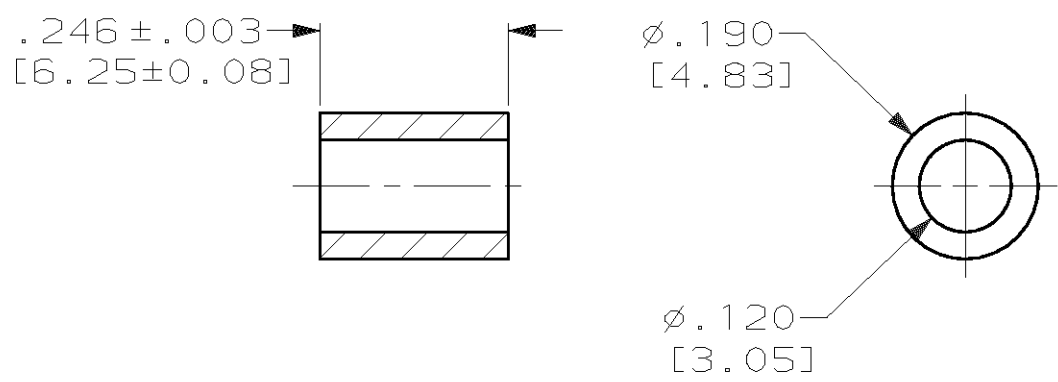


LOC	DIST	REVISIONS					
DF	DO	P	LTR	DESCRIPTION	DATE	DWN	APVD
		B		PER EC 0GED-0584-01 DBK	8/02	CT	CB

- △1 MATERIAL: ALUMINUM ALLOY PER ASTM-B-211.
- △2 IRIDITE PER MIL-C-5541 CLASS 3, COLOR: COLD



△2	BULK PACKAGE	2	443279-1	443279-3
△2	ONE KIT PER BAG	2	443279-1	443279-2
△2	-	AR	△1	443279-1
FINISH	PACKAGING	QTY	MATERIAL	PART NUMBER

THIS DRAWING IS UNPUBLISHED. RELEASED FOR PUBLICATION 1994. ALL RIGHTS RESERVED. BY AMP INCORPORATED. COPYRIGHT 1994.

DIMENSIONS: IN [mm]	DWN	04-03-95	MATERIAL	SEE TABLE	FINISH	SEE TABLE
	CHK	04-03-95	AMP Incorporated Harrisburg, PA 17105-3608			
TOLERANCES UNLESS OTHERWISE SPECIFIED:	APVD	04-03-95				
0 PLC ±-	PRODUCT SPEC	-	NAME			
1 PLC ±-	APPLICATION SPEC	-	SPACER, LOW PROFILE			
2 PLC ±-	WEIGHT	-	SIZE	CAGE CODE	DRAWING NO	
3 PLC ±.005[0.13]			A4	00779	C-443279	
4 PLC ±-			CUSTOMER DRAWING			
ANGLES ±-			SCALE	SHEET	OF	REV
			4:1	1	1	B