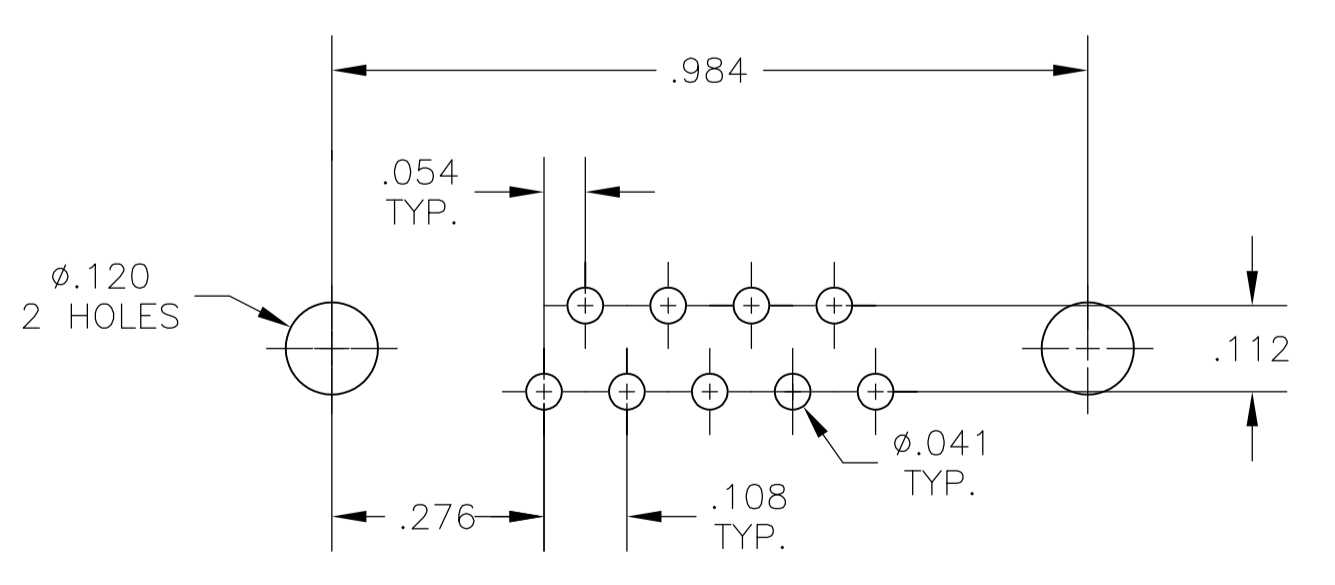
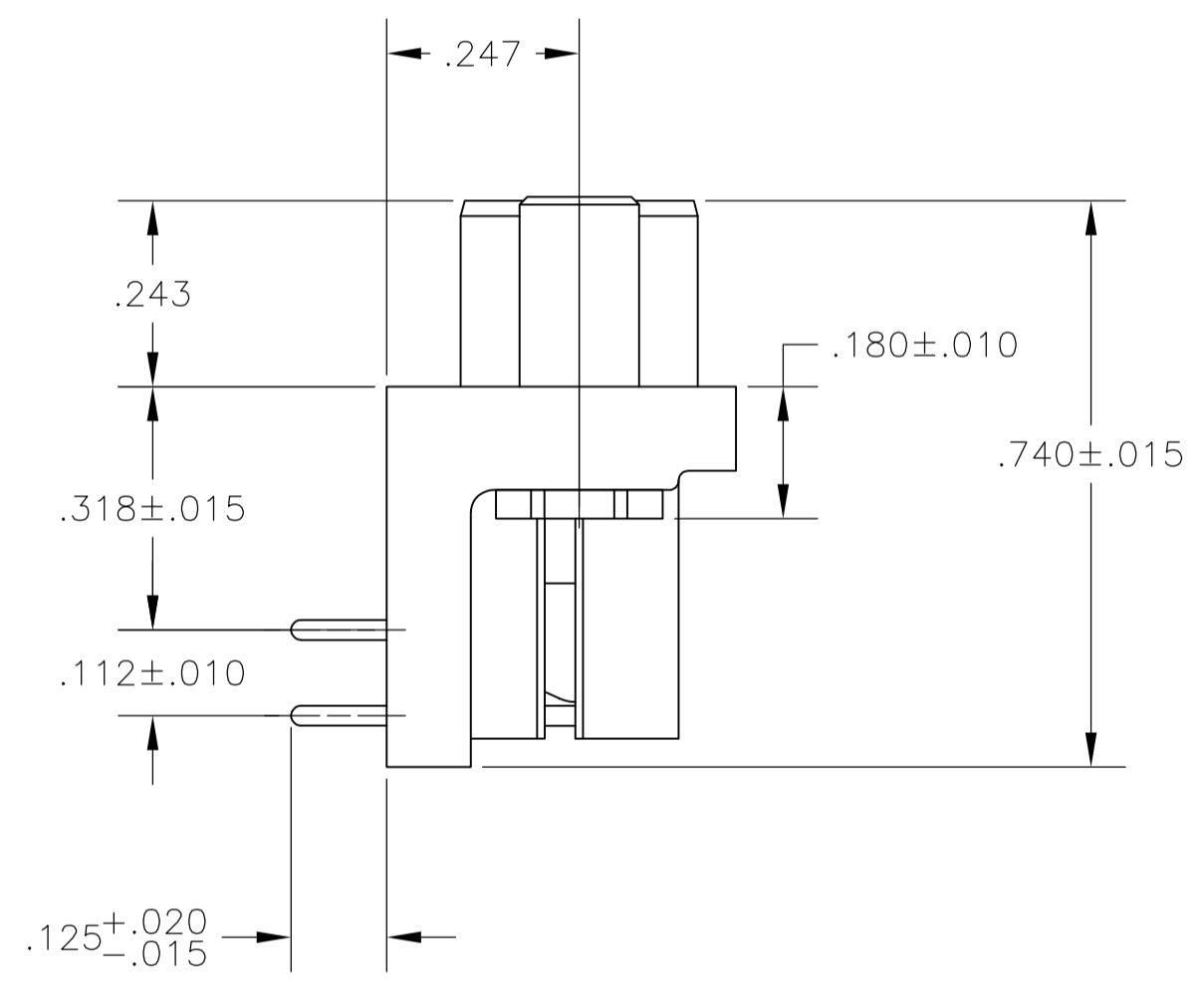
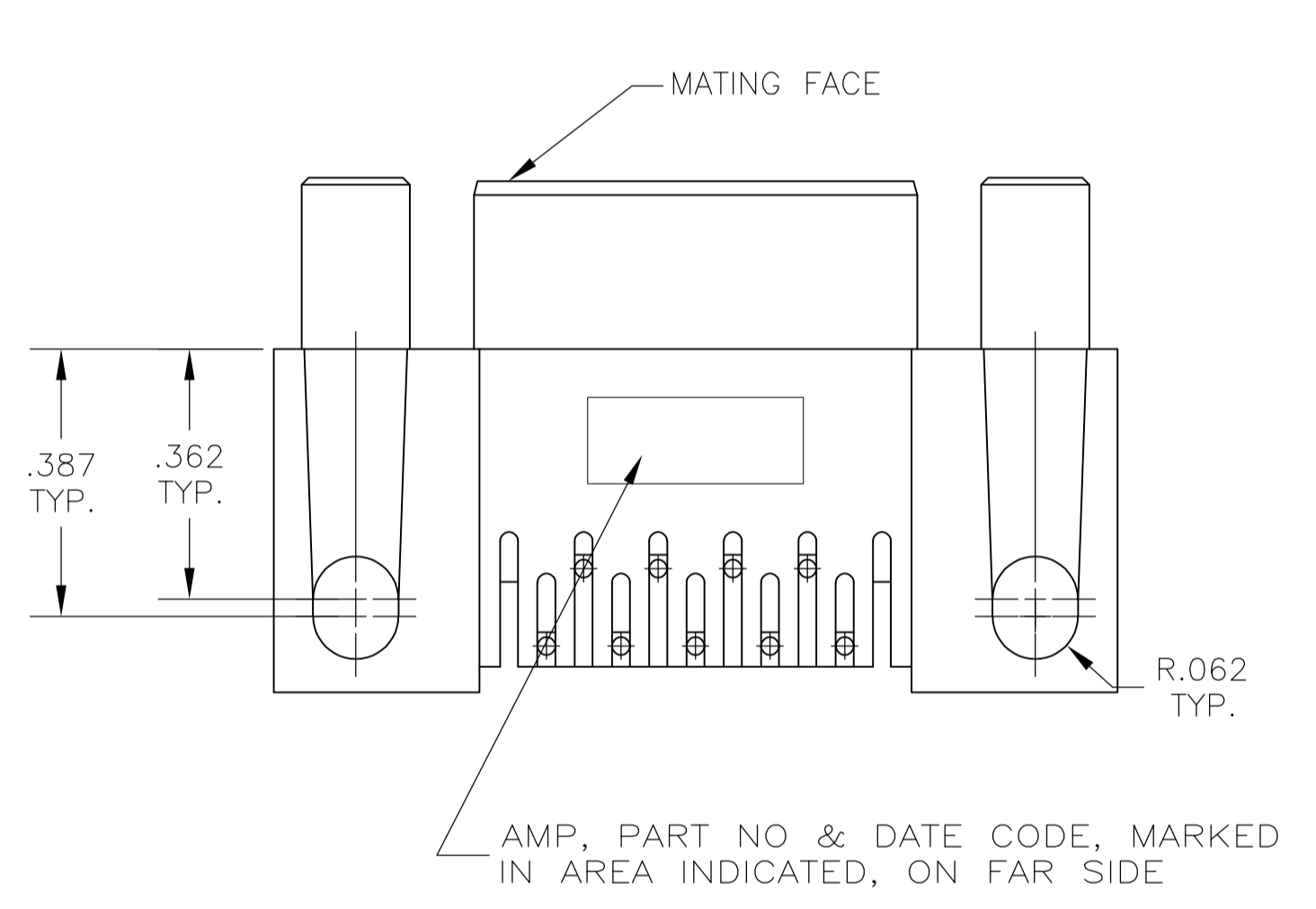
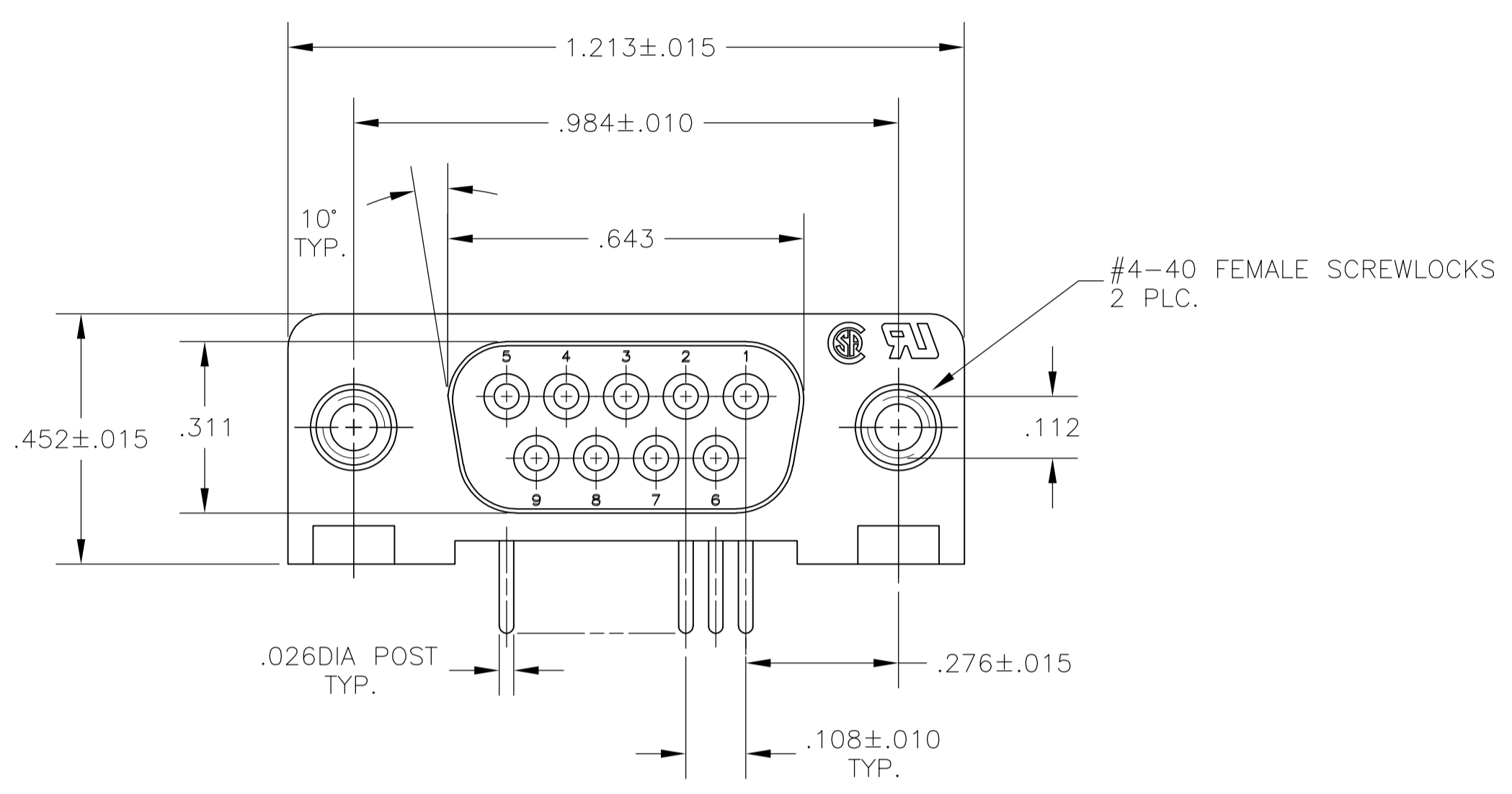


LOC		DIST		REVISONS			
P	LTR	DESCRIPTION	DATE	DN	APVD		
F1		REVISED PER ECO-09-024927	07NOV09	KK	AEG		



P.C. BOARD MOUNTING DIMENSIONS  $\triangle 3$

- $\triangle 1$  FLAME RETARDANT, 94V-0 RATED, GLASS FILLED NYLON OR POLYESTER, COLOR: BLACK.
- $\triangle 2$  PHOS. BRONZE PER QQ-B-750.
- $\triangle 3$  REFER TO APPLICATION SPEC FOR RECOMMENDED P.C. BOARD MOUNTING DIMENSIONS FOR AUTOMATIC INSERTION.
- $\triangle 4$  GOLD PLATING PER MIL-G-45204, TIN PLATING PER MIL-T-10727, NICKEL PLATING PER QQ-N-290.
- $\triangle 5$  PLATED WITH GOLD FLASH FOR LENGTH OF .055 MIN FROM MATING END, WITH POINT OF MEASUREMENT .035 FROM MATING END OF CONTACT, .000100-.000200 TIN OR TIN-LEAD ON SOLDER END, ALL OVER .000050 NICKEL ON ENTIRE CONTACT.
- $\triangle 6$  PLATED WITH .000030 GOLD FOR LENGTH OF .055 MIN FROM MATING END, WITH POINT OF MEASUREMENT .035 FROM MATING END OF CONTACT, .000100-.000200 TIN OR TIN-LEAD ON SOLDER END, ALL OVER .000050 NICKEL ON ENTIRE CONTACT.
- $\triangle 7$  OBSOLETE PARTS: OBSOLETE CIS STREAMLINING PER D.RENAUD/D.SINISI

$\triangle$ SUPERSEDED	TUBES	$\triangle 6$	-745395-3-
	TRAYS	$\triangle 6$	745395-2
SUPSPD BY 745395-2		$\triangle 5$	745395-1
	PACKAGING	FINISH	PART NUMBER

THIS DRAWING IS A CONTROLLED DOCUMENT.		DIN S. WELDON 5-5-87	Tyco Electronics Corporation Harrisburg, Pa 17105-3608	
DIMENSIONS: INCHES		CIK C. RICHARD 5-5-87	NAME: B. TAYLOR 5-5-87	
TOLERANCES UNLESS OTHERWISE SPECIFIED:		PRODUCT SPEC: RECEPTACLE ASSY, SIZE 1, 9 POSN, RIGHT ANGLE, .318 SERIES, $\phi .026$ POSTS, W/ FEMALE SCREWLOCKS, AMPLIMITE <sup>®</sup> HD-20		
MATERIAL: MOLDED PARTS: $\triangle$ CONTACTS: $\triangle$ SCREWLOCKS: ZINC		APPLICATION SPEC: 108-40005		
FINISH: $\triangle$ CONTACTS: SEE TABLE SCREWLOCKS: CLEAR CHROMATE		SIZE: 114-40015		
WEIGHT: -		SCALE: 4:1		
CUSTOMER DRAWING		SHEET 1 OF 1 REV F1		