

4

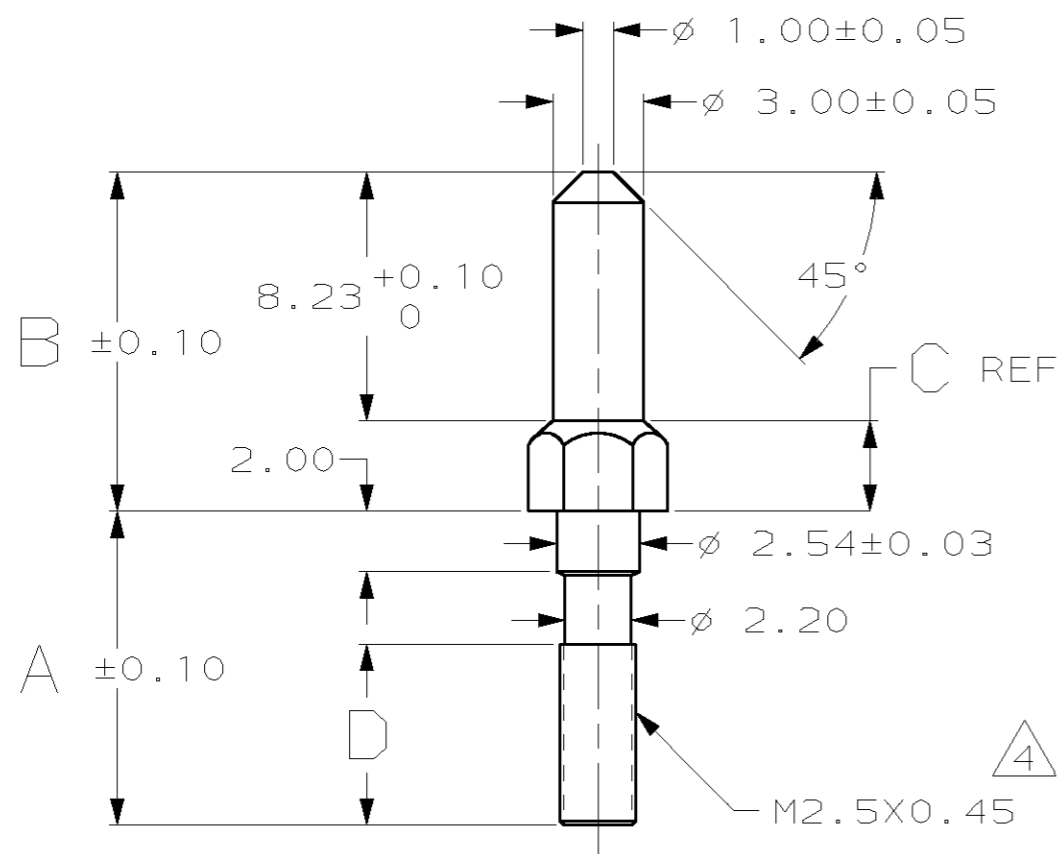
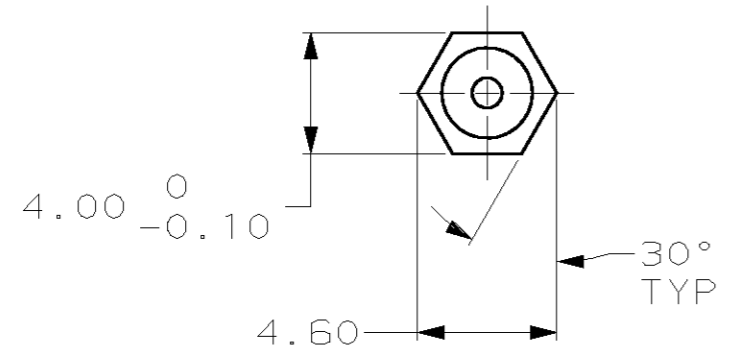
3

2

1

THIS DRAWING IS UNPUBLISHED. RELEASED FOR PUBLICATION ,19 .
 © COPYRIGHT 19 BY AMP INCORPORATED. ALL RIGHTS RESERVED.

LOC	DIST	REVISIONS					
		P	LTR	DESCRIPTION	DATE	DWN	APVD
GP	00	0		REL PER 051C-0012-01	01/10/01	MM	SS



- ① BRASS, TEMPER H02, PER 100-110-1.
- ② 5.08 μm MIN NICKEL PER 112-25-1 OVER 6.35μm MIN COPPER PER 112-300-2.
- 3. DIMENSIONS ARE SHOWN AFTER PLATING.
- ④ AFTER PLATING THREAD TO BE M2.5-6g.

5.00	2.22	10.45	7.80	796014-3
4.50	3.02	11.25	7.00	796014-2
6.00	3.02	11.25	10.40	796014-1
D	C	B	A	PART NUMBER

THIS DRAWING IS A CONTROLLED DOCUMENT.		DWN M. MORRIS 01JAN01	AMP Incorporated Harrisburg, PA 17105-3608	
DIMENSIONS: mm		CHK S. SHUEY 01JAN01		
TOLERANCES UNLESS OTHERWISE SPECIFIED:		APVD S. SHUEY 01JAN01	NAME GUIDE PIN, .050 CHAMP	
0 PLC ±- 1 PLC ±- 2 PLC ±0.15 3 PLC ±- 4 PLC ±- ANGLES ±1°		PRODUCT SPEC -	APPLICATION SPEC -	
MATERIAL ①	FINISH ②	WEIGHT -	SIZE A3	CAGE CODE 00779
CUSTOMER DRAWING			DRAWING NO C- 796014	RESTRICTED TO -
			SCALE 4:1	SHEET 1 OF 1
			REV 0	