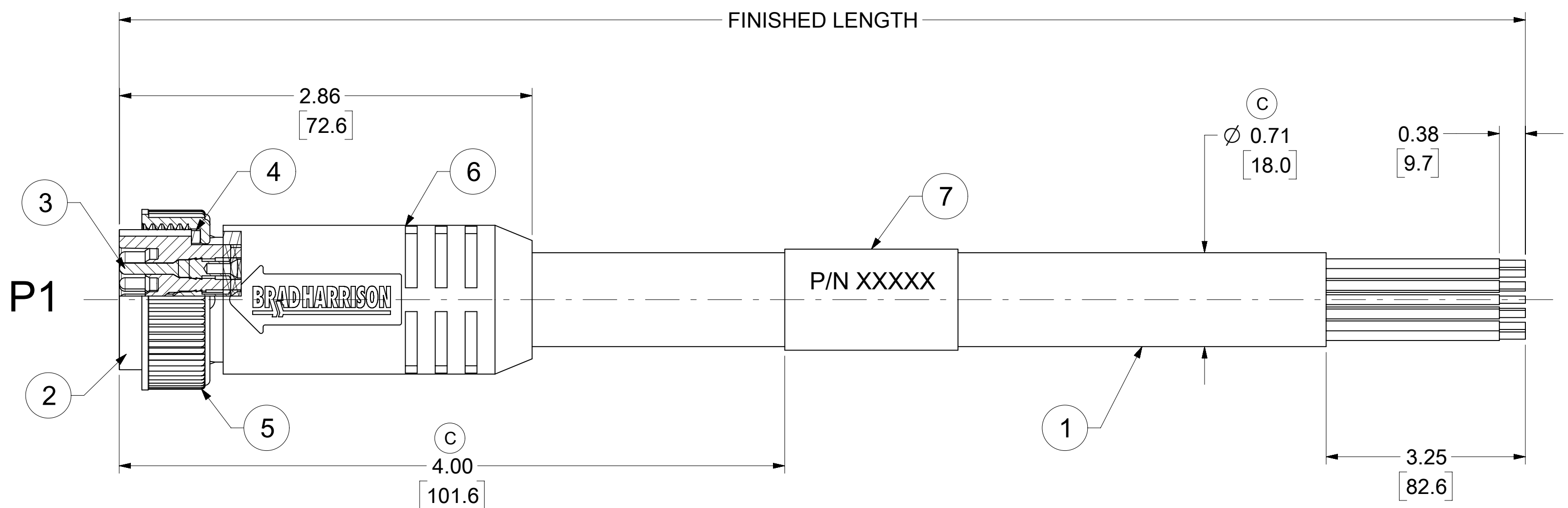
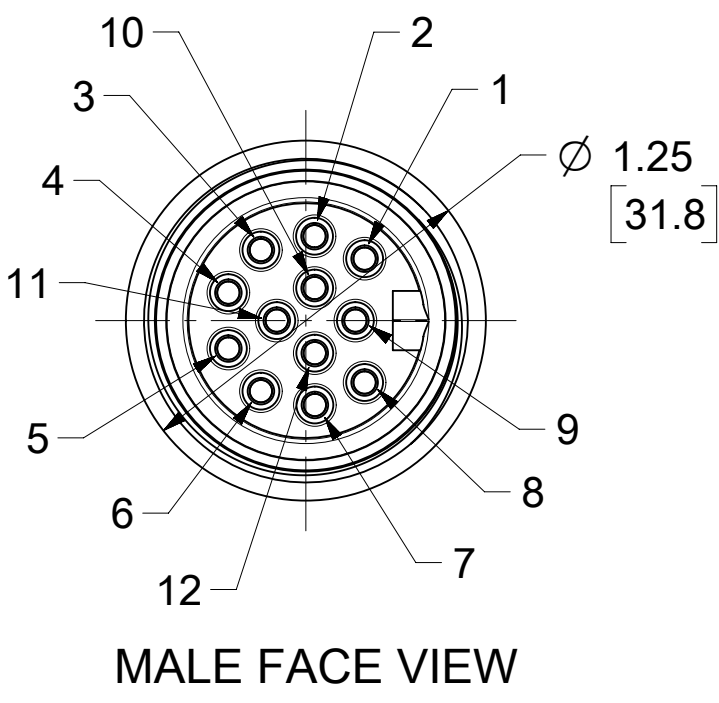
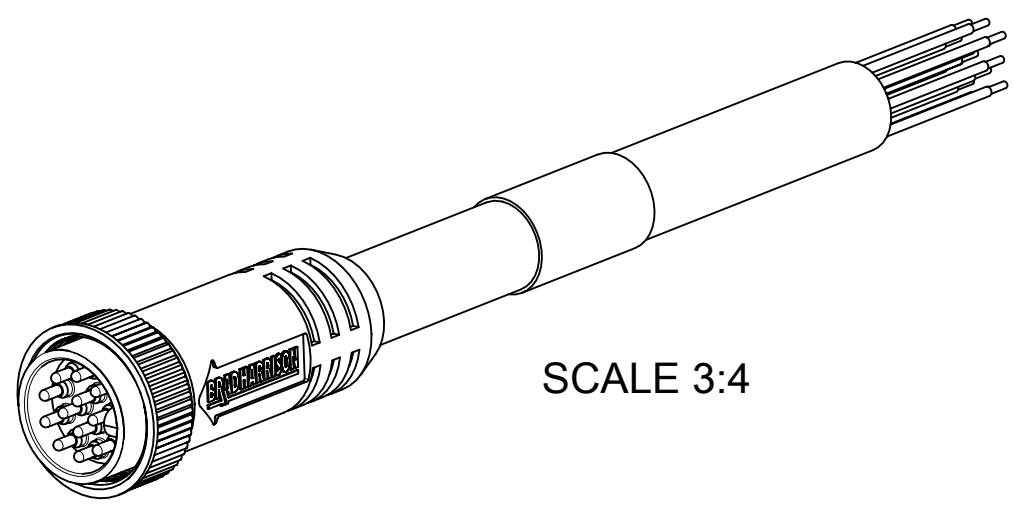


MATERIAL NO.	ENGINEERING NO.	FINISHED LENGTH
1300080229	302002A01F030	3 FT. (0.91 M)
1300080234	302002A01F120	12 FT. (3.66 M)
1300080238	302002A01F200	20 FT. (6.10 M)

CABLE LENGTH TOLERANCES
 <.3M [1FT]: +19mm-0 [+.75in-0]
 .3 - .9M [1 - 3FT]: +44.5mm-0 [+1.75in-0]
 .9 - 1.8M [3 - 6FT]: +55.6mm-0 [+2.19in-0]
 1.8 - 3.7M [6 - 12FT]: +88.9mm-0 [+3.50in-0]
 3.7 - 7.3M [12 - 24FT]: +165.1mm-0 [+6.50in-0]
 7.3-14.6M [24 - 48FT]: +317.5mm-0 [+12.50in-0]
 14.6 - 30.5M [48-100FT]: +622.3mm-0 [+24.50in-0]
 OVER 30M [100FT] +2% OF FINISHED LENGTH



- NOTES:**
- MATERIAL: AS NOTED
 - FINISH: AS NOTED
 - ELECTRICAL:
 VOLTAGE: 320V PER IEC60664
 600V PER UL2238
 CURRENT: 5A
 - TEMP RATING: -20°C TO +105°C
 - PROTECTION: IP67 (WHEN MATED)
 - CSA CERTIFIED FILE: LR6837
 - UL RECOGNIZED FILE: E152210
 - COUPLING THREAD: 1 1/8"-16UN
 - ASSEMBLY IS ROHS COMPLIANT
 - ALL DIMS ARE FOR REFERENCE UNLESS TOLERANCED OR NOTED OTHERWISE

WIRING DIAGRAM

P1	Color
1	ORANGE
2	BLUE
3	WHITE/BLACK TRACE
4	RED/BLACK TRACE
5	GREEN/BLACK TRACE
6	ORANGE/BLACK TRACE
7	BLUE/BLACK TRACE
8	BLACK/WHITE TRACE
9	GREEN/YELLOW TRACE GND
10	RED
11	WHITE
12	BLACK

PART NUMBER MATRIX

302002A01F030

FINISHED LENGTH
 F001= .1 FT
 F020= 2 FT
 F200= 20 FT

7	6	5	4	3	2	1
ITEM	DESCRIPTION	MATERIAL	FINISH			
7	LABEL	VINYL	BLACK/YELLOW			
6	OVERMOLD	TPE	YELLOW			
5	COUPLING NUT	ZINC DIE CAST	BLACK E-COAT			
4	FRICTION RING	NYLON	NATURAL			
3	PIN CONTACT	Cu ALLOY	GOLD OVER NICKEL			
2	INSERT, MALE, 12 POLE	TPE	YELLOW			
1	#16-12 CABLE,STOOW/ST	PVC JACKET	YELLOW			

THIS DRAWING CONTAINS INFORMATION THAT IS PROPRIETARY TO MOLEX ELECTRONIC TECHNOLOGIES, LLC AND SHOULD NOT BE USED WITHOUT WRITTEN PERMISSION

DIMENSION UNITS	SCALE	CURRENT REV DESC: UPDATED ITEM #2.6.7, LABEL DIM. AND MATERIAL P/N TABLE . ADDED CSA, UL, IEC VOLT, TEMP RATING, IP RATING, TOL. CHART, PART NUMBER MATRIX AND CABLE DIA.	molex			
INCH/MM	1.5:1					
GENERAL TOLERANCES (UNLESS SPECIFIED)		EC NO: 673727 DRWN: AKABADI 2021/06/24 CHK'D: RSTONE 2021/08/13 APPR: BWOODMAN 2021/08/27	MINI-CHANGE CORDSET, C SIZE 12 POLE, MALE, STRAIGHT, SINGLE KEY, 16AWG			
4 PLACES	±		PRODUCT CUSTOMER DRAWING			
3 PLACES	±	INITIAL REVISION: DRWN: BRUPERT 2009/08/24 APPR: JFMURPHY 2009/08/27	DOCUMENT NUMBER			
2 PLACES	±		SD-130008-012			
1 PLACE	±	THIRD ANGLE PROJECTION	DOC TYPE	DOC PART	REVISION	
0 PLACES	±		C-SIZE	PSD	001	C
ANGULAR TOL	± 0.5 °	DRAWING	SERIES	MATERIAL NUMBER	CUSTOMER	SHEET NUMBER
DRAFT WHERE APPLICABLE MUST REMAIN WITHIN DIMENSIONS		C-SIZE	130008	SEE TABLE	GENERAL MARKET	1 OF 1