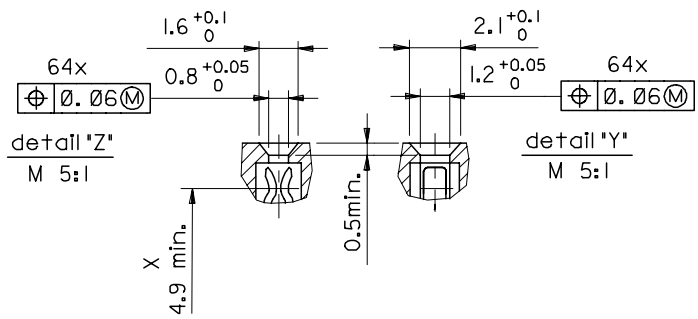
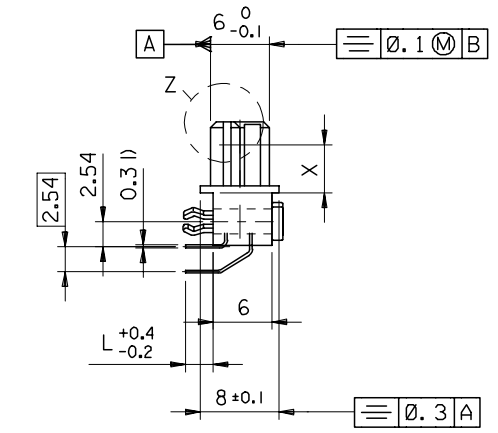


l) tails to fit in PC-board layout



FIRST ANGLE PROJECTION

UNLESS OTHERWISE SPECIFIED TOLERANCES: ANGULAR $\pm 2^\circ$	INCH	METRIC
3 PLACE \pm	\pm	\pm
2 PLACE \pm	\pm	\pm
1 PLACE \pm	\pm	\pm

DRAFT WHERE APPLICABLE MUST REMAIN WITHIN DIMENSIONS

DESIGN DIMENSION MM IN.

EQUIVALENT DIMENSION MM IN.

IF TWO DIMENSIONS ARE SHOWN THE UPPER IS THE DESIGN DIMENSION, LOWER IS SECONDARY

REVISE ONLY ON CAD SYSTEM		SH.	REV.
CAD/CAM PROJECT NAME 85050000 s11	THIS DRAWING CONTAINS INFORMATION THAT IS PROPRIETARY TO MOLEX INC. & SHOULD NOT BE USED WITHOUT WRITTEN PERMISSION		
TITLE 64 pos. female connector DIN 41612 style Q + clip Dimensions			
molex MOLEX EUROPE		SHEET NO. 1 OF 1	DATE 96/10/22
PART NO. SEE CHART	DWG NO. SDA-85050-0001	SIZE B	

12006-0451	REVISIONS FOR PREVIOUS REVISIONS SEE MRI LIST
2006/02/02	
B2	LTR

