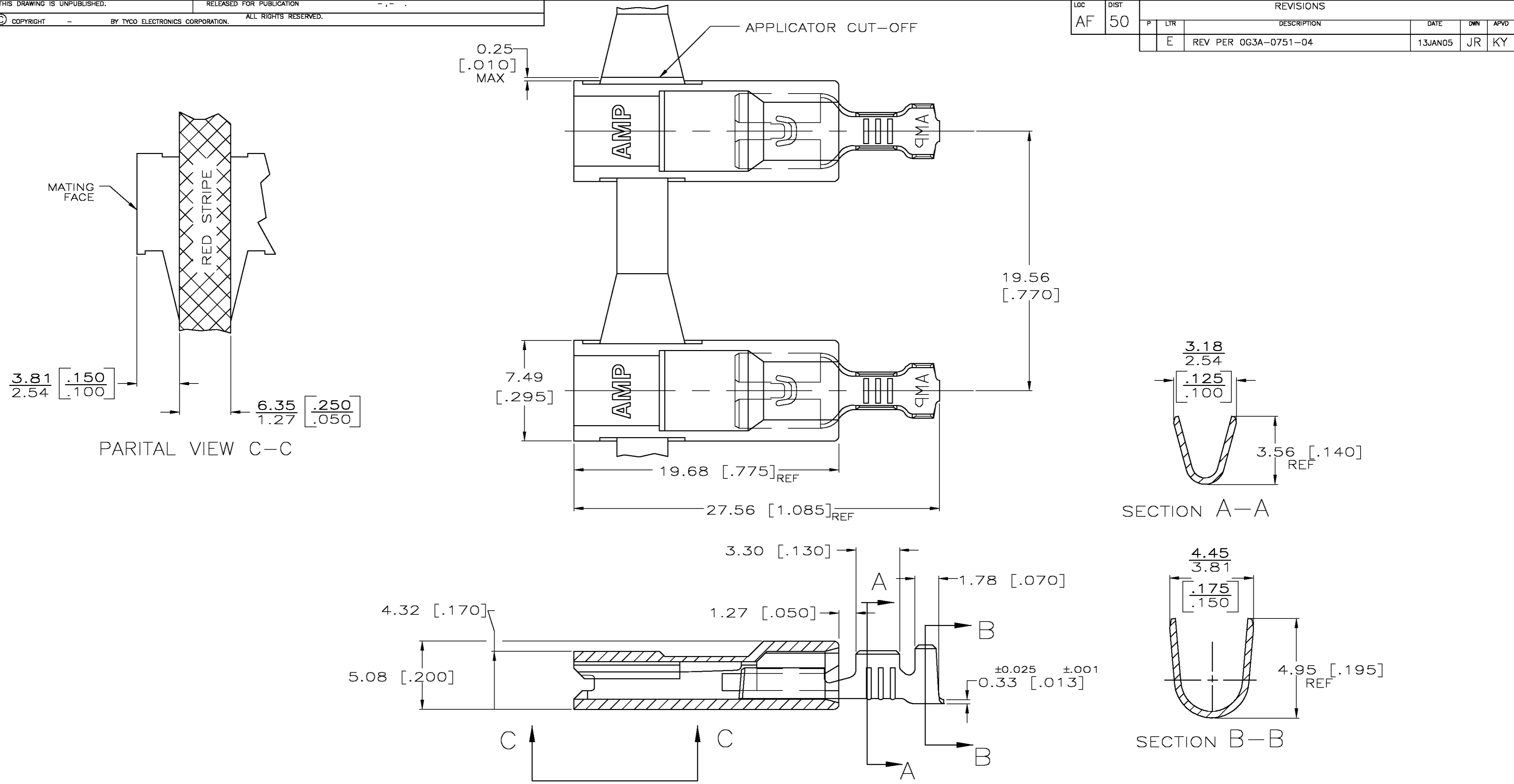


THIS DRAWING IS UNPUBLISHED. RELEASED FOR PUBLICATION
 © COPYRIGHT BY TYCO ELECTRONICS CORPORATION. ALL RIGHTS RESERVED.

LOC	DIST	REVISIONS			
P	LTR	DESCRIPTION	DATE	DWN	APVD
AF	50	E	REV PER 0G3A-0751-04	13JAN05	JR KY



- 1 FASTON TERMINALS, BASE P/N 63654, ARE USED IN THIS PRODUCT.
- 2 MATERIAL - HOUSING, 6/6 NYLON, COLOR NATURAL TERMINAL, 4H BRASS, NO PLATING

OBSOLETE	— BULK —	2.29–3.30 [.090–.130]	0.5–1.3 mm ² [20–16]	0.81 [.032]	5-521086-1
	STANDARD				521086-1
	PACKAGING	INSULATION RANGE	WIRE SIZE	MATING TAB THK ±0.025 [±.001]	PART NO.

THIS DRAWING IS A CONTROLLED DOCUMENT.		DWN	JR RUTH	4/28/95	Tyco Electronics Corporation Harrisburg, Pa 17105-3608	
DIMENSIONS: MM [INCHES]		CHK	MS FEHER	4/28/95		
TOLERANCES UNLESS OTHERWISE SPECIFIED:		APVD	J WORMAN	4/28/95		
0 PLC ± - 1 PLC ± - 2 PLC ± - 3 PLC ± 0.25 [.010] 4 PLC ± - ANGLES ± - FINISH - 2		PRODUCT SPEC	118-1285			NAME
MATERIAL - 2		APPLICATION SPEC	114-2124		SIZE	A2
		WEIGHT	-		CAGE CODE	00779
		CUSTOMER DRAWING			DRAWING NO	C=521086
		SCALE	5:1		SHEET	1 OF 1
		REV	E			