



AMP MCP 2.8, AMP MCP Connector System

TE Internal #: 936303-2

Automotive Connector Caps & Covers, Cover - Cable Exit, Cable Exit Angle 180°, Black, PBT, 6 Position, AMP MCP Connector System

[View on TE.com >](#)

Connectors > Automotive Connectors > Automotive Connector Accessories > Automotive Connector Caps & Covers



Protection & Strain Relief Accessory Type: **Cover - Cable Exit**

Cable Exit Angle: **180°**

Strain Relief: **With**

Primary Product Color: **Black**

Primary Product Material: **PBT**

Features

Product Type Features

Protection & Strain Relief Accessory Type	Cover - Cable Exit
---	--------------------

Configuration Features

Number of Positions	6
---------------------	---

Body Features

Cable Exit Angle	180°
Primary Product Color	Black
Primary Product Material	PBT

Mechanical Attachment

Strain Relief	With
---------------	------

Dimensions

Compatible Cable Bundle Diameter Range	8.4 mm[.331 in]
--	-----------------

Usage Conditions

Operating Temperature (Max)	70 °C, 75 °C, 80 °C, 85 °C, 90 °C, 100 °C, 105 °C, 110 °C, 120 °C[158 °F][167 °F][176 °F][185 °F][194 °F][212 °F][221 °F][230 °F][248 °F]
Operating Temperature Range	-40 – 120 °C[-40 – 248 °F]

Industry Standards

--	--



UL Flammability Rating	UL 94HB
------------------------	---------

Packaging Features

Packaging Quantity	400
Packaging Method	Bag

Other

Serviceable	Yes
-------------	-----

Product Compliance

[For compliance documentation, visit the product page on TE.com>](#)

EU RoHS Directive 2011/65/EU	Compliant
EU ELV Directive 2000/53/EC	Compliant
China RoHS 2 Directive MIIT Order No 32, 2016	No Restricted Materials Above Threshold
EU REACH Regulation (EC) No. 1907/2006	Current ECHA Candidate List: JUNE 2023 (235) Candidate List Declared Against: JAN 2023 (233) Does not contain REACH SVHC
Halogen Content	Low Halogen - Br, Cl, F, I < 900 ppm per homogenous material. Also BFR/CFR/PVC Free
Solder Process Capability	Not applicable for solder process capability

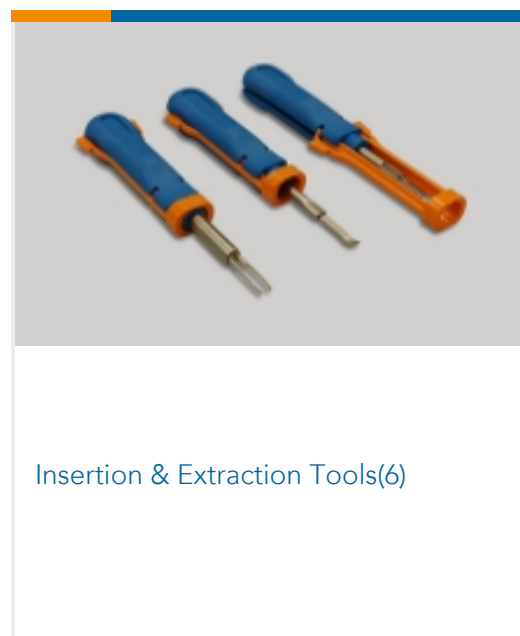
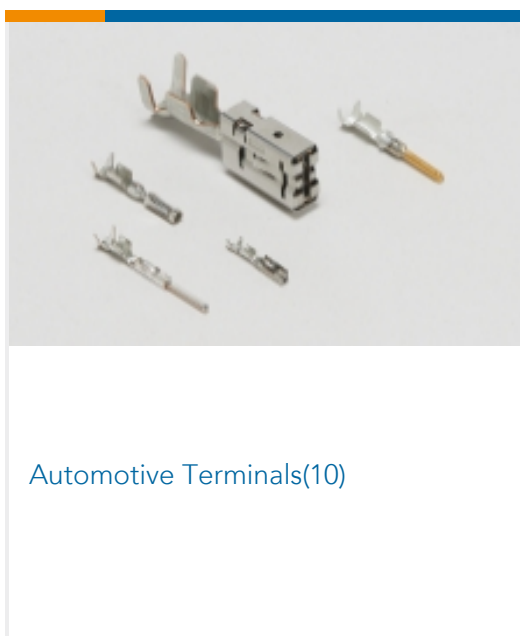
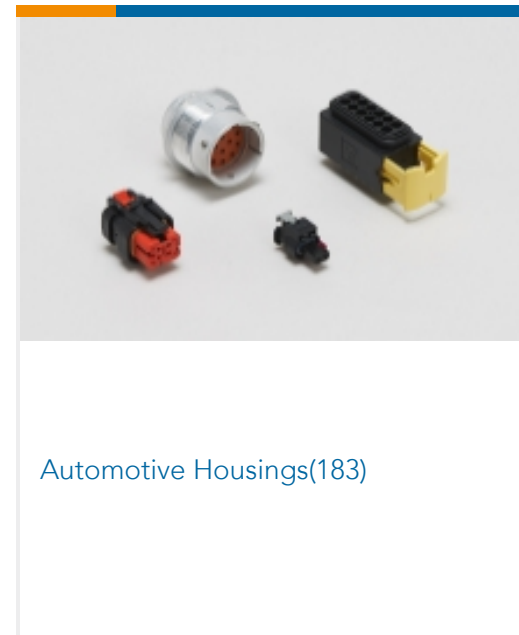
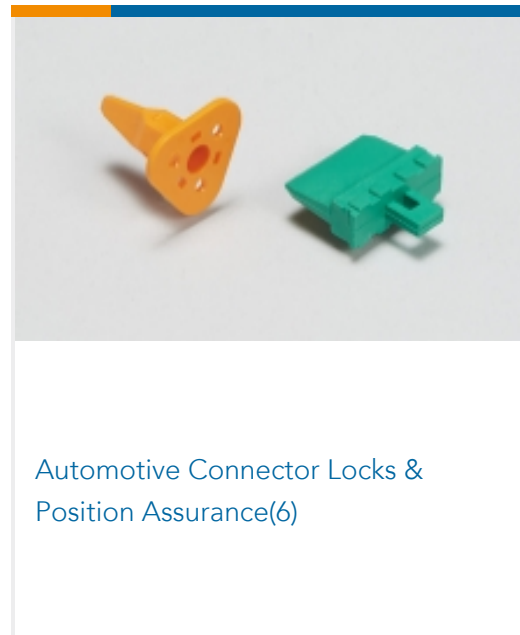
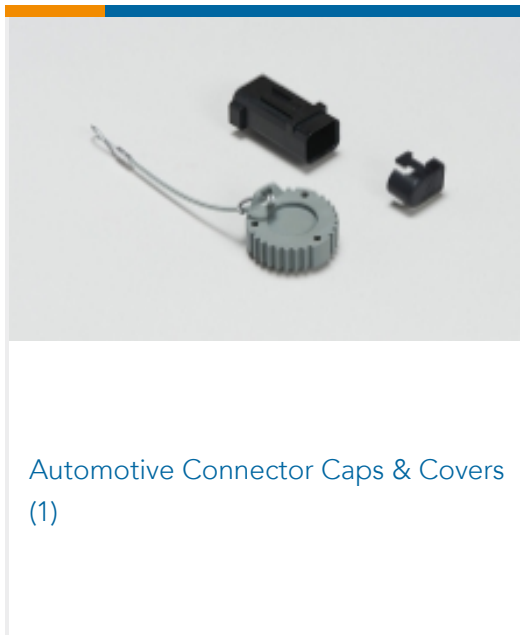
Product Compliance Disclaimer

This information is provided based on reasonable inquiry of our suppliers and represents our current actual knowledge based on the information they provided. This information is subject to change. The part numbers that TE has identified as EU RoHS compliant have a maximum concentration of 0.1% by weight in homogenous materials for lead, hexavalent chromium, mercury, PBB, PBDE, DBP, BBP, DEHP, DIBP, and 0.01% for cadmium, or qualify for an exemption to these limits as defined in the Annexes of Directive 2011/65/EU (RoHS2). Finished electrical and electronic equipment products will be CE marked as required by Directive 2011/65/EU. Components may not be CE marked. Additionally, the part numbers that TE has identified as EU ELV compliant have a maximum concentration of 0.1% by weight in homogenous materials for lead, hexavalent chromium, and mercury, and 0.01% for cadmium, or qualify for an exemption to these limits as defined in the Annexes of Directive 2000/53/EC (ELV). Regarding the REACH Regulation, the information TE provides on SVHC in articles for this part number is based on the latest European Chemicals Agency (ECHA) 'Guidance on requirements for substances in articles' posted at this URL: <https://echa.europa.eu/guidance-documents/guidance-on-reach>

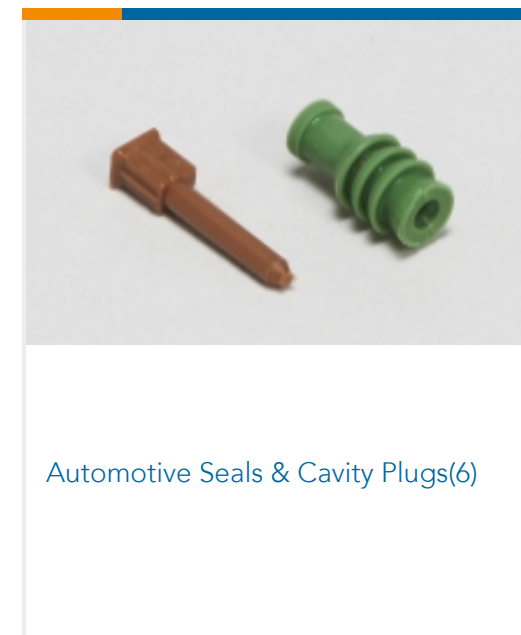
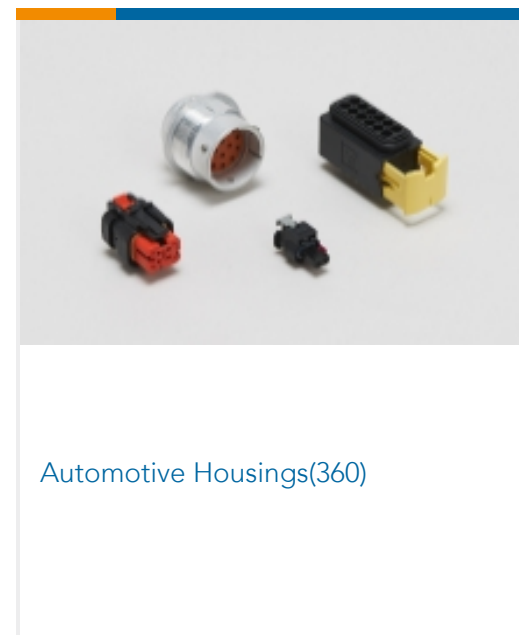
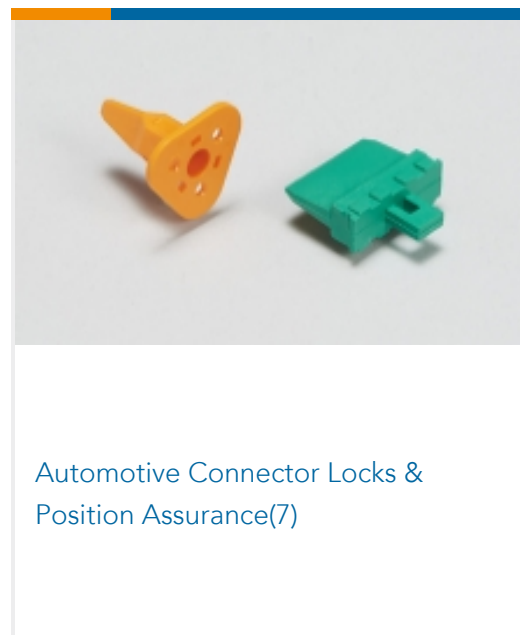
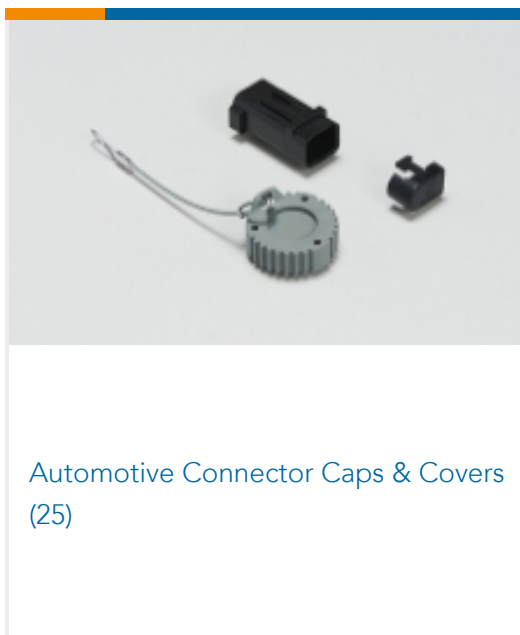
Compatible Parts



Also in the Series | AMP MCP 2.8



Also in the Series | AMP MCP Connector System





Automotive Terminals(135)



Insertion & Extraction Tools(13)

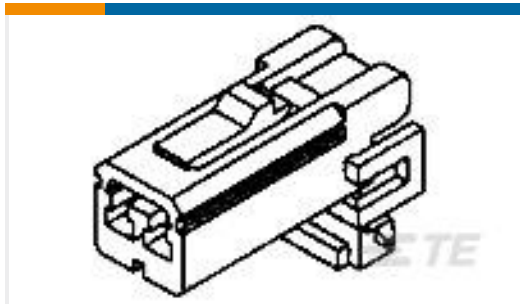


Other Automotive Connector Accessories(2)

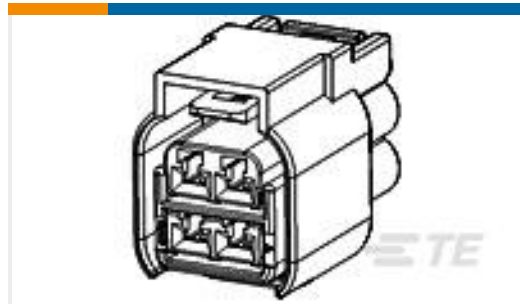


PCB Headers & Receptacles(30)

Customers Also Bought



TE Part #368538-1
070 MLC PLUG 2P HSG



TE Part #936257-2
MCP-E SLD 6P PLUG ASSY BLK



TE Part #1-1897054-3
090 MLC SLD CLIP(KEY HOLE) GRY



TE Part #1-2379274-2
24POS,TH 025,REC HSG ASSY,UNSLD,
COD B



TE Part #1743645-2
COVER HSG FOR JPT 2P ASSY BLK



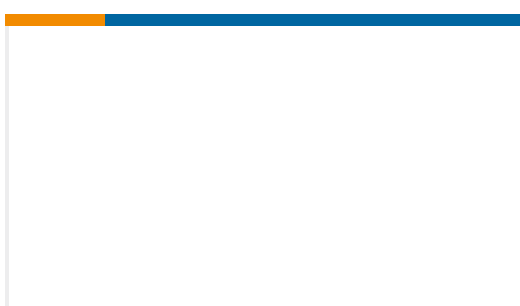
TE Part #2309582-2
025/060/110 HYB26P PLUG ASSY



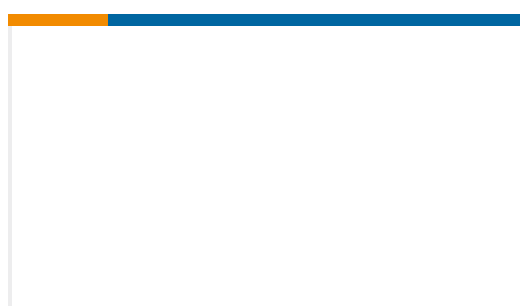
TE Part #2371783-1
050 MCON SLD 2P PLUG ASSY CODE
A



TE Part #2389775-6
47POS,HYBRID,REC HSG ASSY,RED



TE Part #6-2005323-1
RELAY BOX ASSY-MD A



TE Part #8-2188321-1
C.E BOX ASSY-BA I/P SJB(LHD)

Documents

Product Drawings

[COVER FOR MCP-E SLD 6P PLUG](#)

English

CAD Files

[3D PDF](#)

3D

[Customer View Model](#)

[ENG_CVM_CVM_936303-2_O_c-936303-2-o.2d_dxf.zip](#)



English

Customer View Model

[ENG_CVM_CVM_936303-2_O_c-936303-2-o.3d_igs.zip](#)

English

Customer View Model

[ENG_CVM_CVM_936303-2_O_c-936303-2-o.3d_stp.zip](#)

English

By downloading the CAD file I accept and agree to the [Terms and Conditions](#) of use.

Product Specifications

[Product Specification](#)

English