

2008/05/02 02:30:38 CAROL TRIBBLE

DRAWING FOR REFERENCE: This is subject to change without notice

COUNT	DESCRIPTION OF REVISIONS	BY	CHKD	DATE	COUNT	DESCRIPTION OF REVISIONS	BY	CHKD	DATE
△					△				
△					△				

APPLICABLE STANDARD		EIAJ RC-5240								
RATING	OPERATING TEMPERATURE RANGE	-40 °C TO +85 °C				STORAGE TEMPERATURE RANGE	-40 °C TO +85 °C			
	VOLTAGE	AC 50V				OPERATING HUMIDITY RANGE	5 % TO 85 %			
	CURRENT	0.3 A				APPLICABLE CABLE	-			

SPECIFICATIONS

ITEM	TEST METHOD	REQUIREMENTS	QT	AT
------	-------------	--------------	----	----


CONSTRUCTION				
GENERAL EXAMINATION	VISUALLY AND BY MEASURING INSTRUMENT.	ACCORDING TO DRAWING.	X	X
MARKING	CONFIRMED VISUALLY.		X	X

ELECTRIC CHARACTERISTICS				
CONTACT RESISTANCE	100 mA (DC OR 1000 Hz).	50 mΩ MAX.	X	-
INSULATION RESISTANCE	250 V DC.	100 MΩ MIN.	X	-
VOLTAGE PROOF	250 V AC FOR 1 min.	NO FLASHOVER OR BREAKDOWN.	X	X

MECHANICAL CHARACTERISTICS				
INSERTION AND WITHDRAWAL FORCES	MEASURED BY APPLICABLE CONNECTOR.	INSERTION FORCE 24.5 N MAX. WITHDRAWAL FORCE 2.5 N MIN.	X	-
MECHANICAL OPERATION	10000 TIMES INSERTIONS AND EXTRACTIONS.	① CONTACT RESISTANCE : 100 mΩ MAX. ② INSERTION FORCE 24.5 N MAX. WITHDRAWAL FORCE 1.9 N MIN. ③ NO DAMAGE, CRACK AND LOOSENESS, OF PARTS.	X	-
VIBRATION	FREQUENCY 10 TO 55 Hz, SINGLE AMPLITUDE 0.75 mm, AT 2 h, FOR 3 DIRECTIONS, TOTAL 6 h.	① NO ELECTRICAL DISCONTINUITY OF 1 μs. ② NO DAMAGE, CRACK AND LOOSENESS, OF PARTS.	X	-
SHOCK	490 m/s ² DIRECTIONS OF PULSE 11 ms AT 3 TIMES FOR 6 DIRECTIONS, TOTAL 18 TIMES.		X	-

ENVIRONMENTAL CHARACTERISTICS				
RAPID CHANGE OF TEMPERATURE	TEMPERATURE -40 → 25 → 85 → 25 °C TIME 30 → 2 TO 3 → 30 → 2 TO 3 min UNDER 10 CYCLES.	① CONTACT RESISTANCE : 100 mΩ MAX. ② NO DAMAGE, CRACK AND LOOSENESS, OF PARTS.	X	-
DAMP HEAT (STEADY STATE)	EXPOSED AT 40±3 °C, 90~95 %, 96 h (FOR 4 DAYS).	① CONTACT RESISTANCE : 100 mΩ MAX. ② INSULATION RESISTANCE :10 MΩ MIN. ③ NO FLASHOVER OR BREAKDOWN. ④ NO DAMAGE, CRACK AND LOOSENESS, OF PARTS.	X	-
DRY HEAT	EXPOSED AT +85±2 °C, 96±4 h.	① CONTACT RESISTANCE : 100 mΩ MAX. ② NO DAMAGE, CRACK AND LOOSENESS, OF PARTS.	X	-
COLD	EXPOSED AT -40±3 °C, 96±4 h.	① CONTACT RESISTANCE : 100 mΩ MAX. ② NO DAMAGE, CRACK AND LOOSENESS, OF PARTS.	X	-
CORROSION SALT MIST	EXPOSED IN 5±1 % SALT WATER, 35±3 °C FOR 48 ±4 h.	① CONTACT RESISTANCE : 100 mΩ MAX. ② NO HEAVY CORROSION.	X	-

REMARKS	DRAWN	DESIGNED	CHECKED	APPROVED	RELEASED
	<i>M. Shimoyama</i>	<i>M. Shimoyama</i>	<i>H. Chikawa</i>	<i>[Signature]</i>	
Unless otherwise specified, refer to JIS C 5402.	05.12.2	05.12.2	05.12.02	05.12.02	

 HIROSE ELECTRIC CO., LTD.		SPECIFICATION SHEET		PART NO. MQ212B-10PR	
CODE NO.(OLD)	DRAWING NO.	CODE NO.	1/2		
CL	ELC4-125504	CL206-2508-0			

2008/05/02 02:30:38 CAROL TRIBBLE

DRAWING FOR REFERENCE: This is subject to change without notice

TO
Q
□
□
□

SPECIFICATIONS

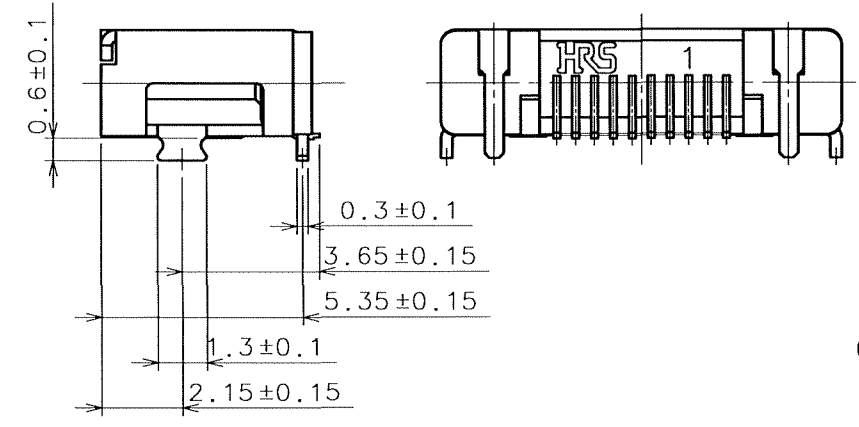
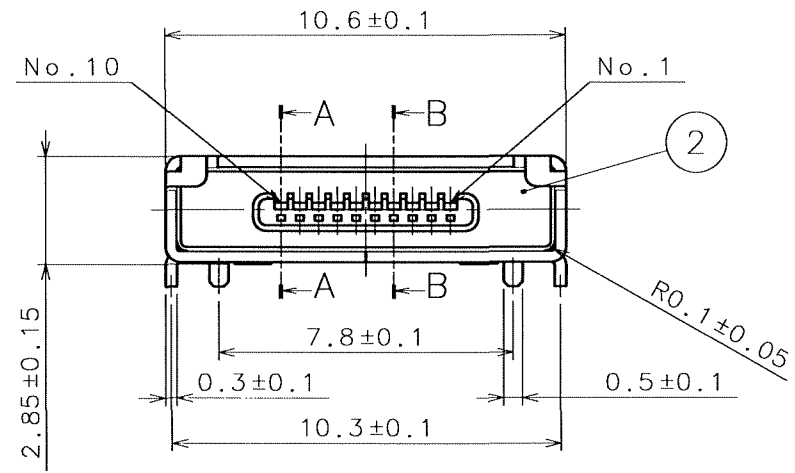
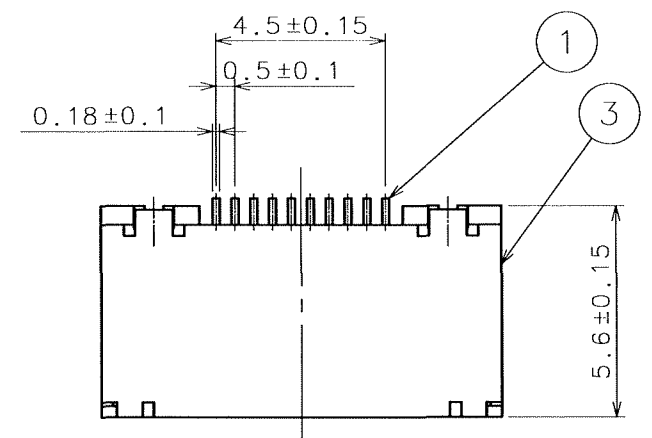
ITEM	TEST METHOD	REQUIREMENTS	QT	AT
SOLDERBILITY	SOLERRING POINT OF CONTACTS IMMERSION IN SOLDER BATH OF 235±10°C, 2±0.5 sec.	SOLDERING POINT OF CONTACTS IMMERSION IN SOLDER, 90% MIN.	×	—
RESISTANCE TO SOLDERING HEAT	MOLTEN-SDDER TEMPERATURE: 260±5°C. IMMERSION FURABILITY PER LOCATION: 2± 1 sec.	NO DAMAGE, CRACK AND LOOSENESS, OF PARTS.	×	—

REMARKS	DRAWN	DESIGNED	CHECKED	APPROVED	RELEASED
Unless otherwise specified, refer to JIS C 5402.	<i>M. Shinoyama</i>	<i>M. Shinoyama</i>	<i>K. Shibata</i>	<i>[Signature]</i>	
	05.12.2	05.12.2	05.12.02	05.12.02	

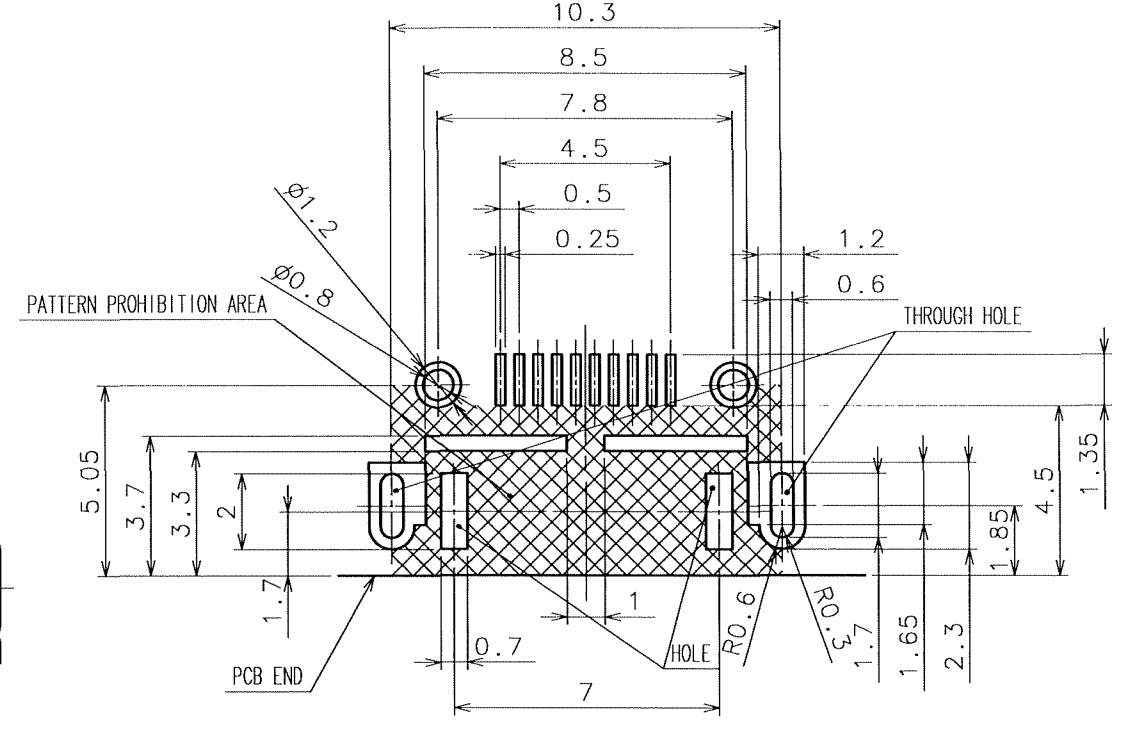
Note QT:Qualification Test AT:Assurance Test ×:Applicable Test

HRS HIROSE ELECTRIC CO., LTD.	SPECIFICATION SHEET	PART NO. MQ212B-10PR
CODE NO.(OLD) CL	DRAWING NO. ELC4-125504	CODE NO. CL206-2508-0
		2 / 2

COUNT	DESCRIPTION OF REVISIONS	BY	CHKD	DATE	COUNT	DESCRIPTION OF REVISIONS	BY	CHKD	DATE
△					△				
△					△				
△					△				

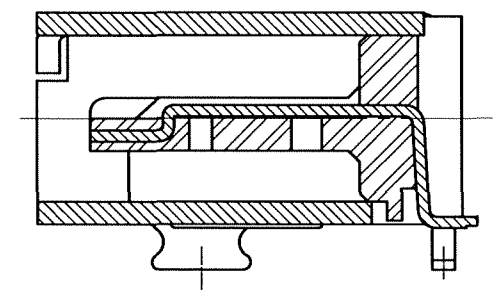
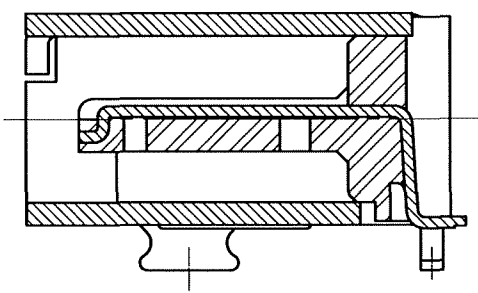


RECOMMENDED PC BOARD PATTERN



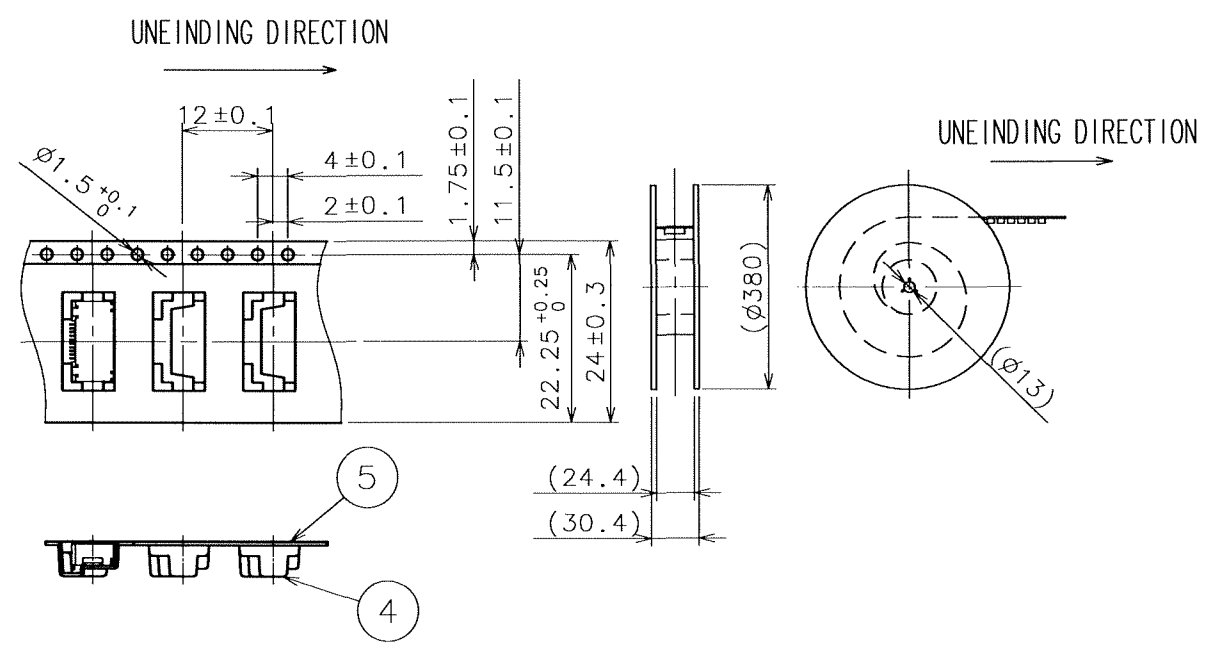
A-A (10:1)
(CONTACT No. 1, 10)

B-B (10:1)
(CONTACT No. 2~9)



NOTE 1 PER REL: 1500 PIECES.
2 CO-PLANARITY TO BE 0.1mm MAX.

FIGURE FOR PACKING



NO.	MATERIAL	FINISH, REMARKS	NO.	MATERIAL	FINISH, REMARKS
2	LCP	UL94V-0 (BLACK)	5	PS	
1	PHOSPHOR BRONZE	UNDER PLATING: NICKEL 2μm MIN CONTACT AREA: GOLD 0.2μm MIN LEAD AREA: GOLD FLASH	4	PS	
			3	PHOSPHOR BRONZE	UNDER PLATING: NICKEL 1μm MIN MOUNTING AREA: TIN 1μm MIN

CODE NO. (OLD)	DRAWN	DESIGNED	CHECKED	APPROVED	RELEASED
	<i>M. Shimoyama</i>	<i>M. Shimoyama</i>	<i>K. Chikawa</i>	<i>[Signature]</i>	
	05.12.2	05.12.2	05.12.2	05.12.02	

SCALE	DRAWING NO.	PART NO.
5 : 1	EDC3-125504	MQ212B-10PR
UNITS	mm	CODE NO.
	HRS HIROSE ELECTRIC CO., LTD	CL206-2508-0

TO
Q