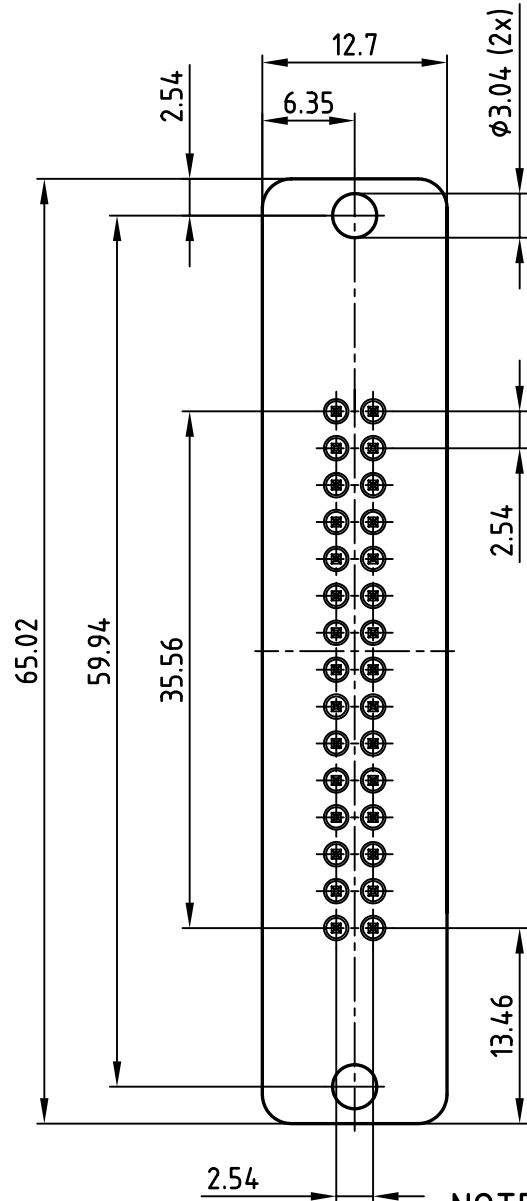
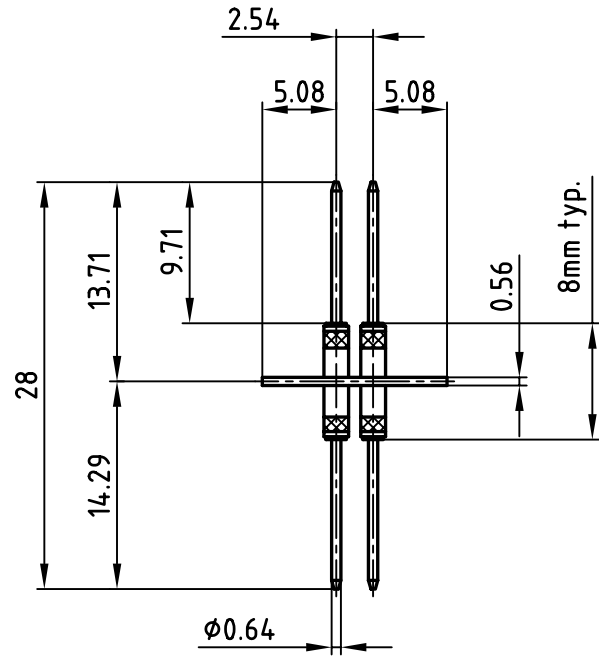


used for: FILTER PLATES



Directive 2002/95/EC  
"RoHS"  
Compliant

|   |        |
|---|--------|
| APPROVAL # FREIGABE # DEBLOCAGE # AUTORIZACION # APPROVAL |        |
| CUSTOMER APPROVAL DATE:                                   |        |
| NAME:   | TITLE: |
| COMPANY NAME:   |        |
| APPROVAL # FREIGABE # DEBLOCAGE # AUTORIZACION # APPROVAL |        |

NOTES:

1. BASE PLATE: COPPER ALLOY
2. PLATING BASE PLATE: min. 315µm dull TIN over 40-80µm NICKEL
3. CONTACT FINISH: 30µm GOLD PLATING over 50µm NICKEL
4. WORKING VOLTAGE: 100 V DC
5. CURRENT RATING: 5A
6. INSULATION RESISTANCE: 10 GΩ min. @ 100 V DC
7. CAPACITANCE: 470pF ±20%
8. OPERATING TEMPERATURE: -55°C to +125°C

THIS DRAWING MAY NOT BE COPIED OR REPRODUCED IN ANY WAY, AND MAY NOT BE PASSED ON TO A THIRD PARTY WITHOUT WRITTEN PERMISSION.  
OWNERSHIP AND COPYRIGHT OF CONEC GmbH  
DO NOT ALTER CAD DRAWING BY HAND

| rev.  | description | date | name         | tolerance | dim. in mm |
|-------|-------------|------|--------------|-----------|------------|
| 2010  | date        |      | name         |           |            |
| drawn | 11.02.      |      | Lehmenkühler |           |            |
| appd. | 11.02.      |      | Fischer      |           |            |
| norm  |             |      |              |           |            |
| d-old |             |      |              |           |            |
| a     | Origin      |      |              |           |            |



|           |  |         |
|-----------|--|---------|
| scale:    | 2:1  |         |
| material: | SEE NOTES  |         |
| title:    | <b>FILTER PLATE 2-ROW</b><br>LEAD SPACING 2.54mm<br>round contact straight / 15 filter per row |         |
| dwg no:   | AutoCAD 2006   | DIN-A   |
|           | 24K1A1232  | 4       |
| part no:  | CFP1C215C4711X   |         |
|           |  | sh: 1/1 |